

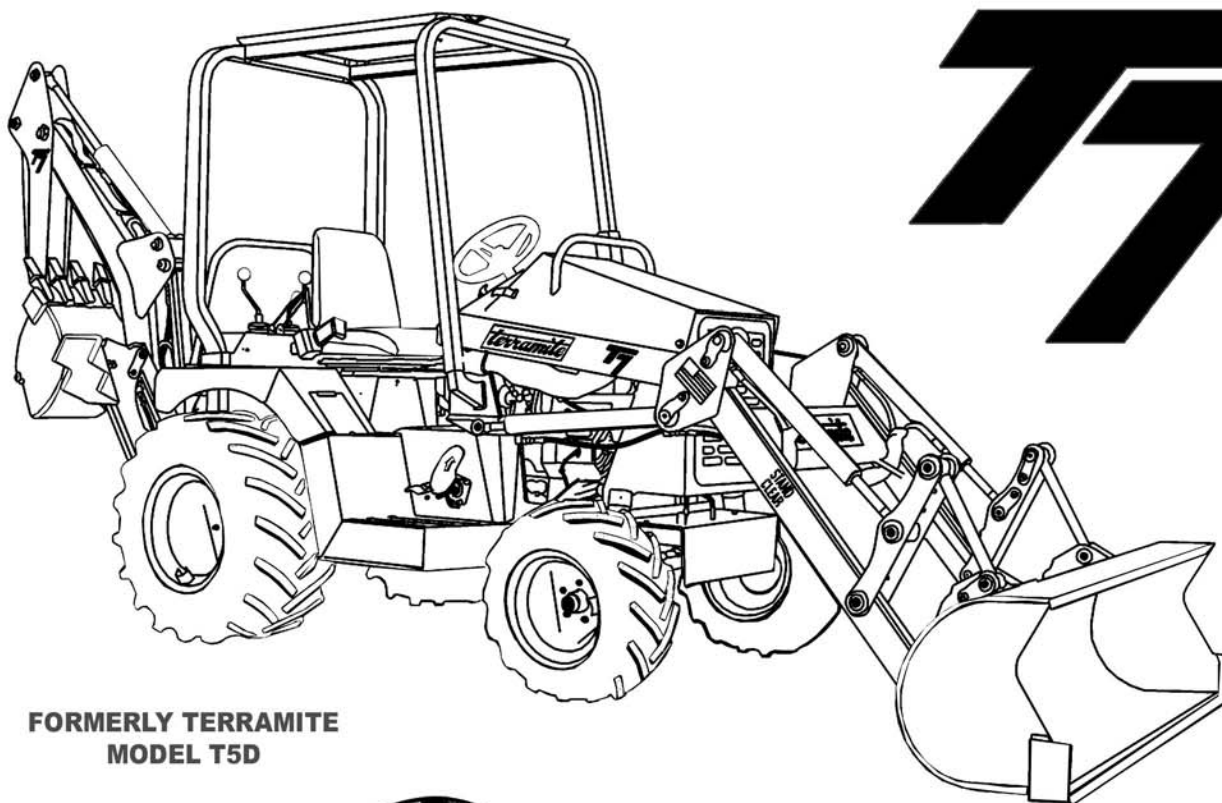


IMPORTANT!



READ THIS MANUAL BEFORE OPERATING MACHINE.

OPERATOR'S HANDBOOK, MAINTENANCE, SERVICE &
PARTS MANUAL
 TERRAMITE CORPORATIONS SINCE 1965



FORMERLY TERRAMITE
 MODEL T5D



"Backed by a World of Experience"

600 Goff Mountain Road • P.O. Box 7146, Charleston, WV 25356-7146 USA
 1.800.428.3772 Fax 1.800.776.4845 • International 1.304.776.4231 Fax 1.304.776.4845

www.terramite.com

Revised 03/2007

Table of Contents

SECTION ONE: INTRODUCTION/INFORMATION

History of Terramite Backhoes	1.1
Before You Start	1.2
Safety Tips	1.2
Hand Signals	1.3
Call First	1.4

SECTION TWO: PARTS

Left or Right is Determined from the Operator's Position	2.1
View of Front Loader Bucket	2.2
View of Right Side of Loader Bucket	2.3
View of Underside of Arm Center	2.4
View of Right Side of Arm Assembly	2.5
View of Front Axle (Bumper Not Shown)	2.6
View of Front Axle (continued)	2.7
View of Front Axle - Ball Socket Style (Bumper Not Shown)	2.8
View of Hub Assembly and Spindle	2.9
View of Right Front Tire and Rim	2.10
View of Right Side of Tractor	2.11
View of Left Side of Tractor	2.12
View from Right Side of Diesel Engine Compartment (Without Air Filter)	2.13
View of Diesel Air Filter Assembly	2.14
View of Muffler Assembly - Diesel	2.15
View Left Side of Kubota Engine	2.16
View Right Side of Kohler Engine	2.17
View of Kohler Engine Leftside	2.18
View of Power Steering Gear	2.19
View of Front Valve w/Fittings	2.20
View of Loader Valve Assembly and Battery - Perkins	2.21
View of Front Valve Linkage System	2.22
View of Left Side of Diesel Dash Wiring Harness - Perkins	2.23
View of Right Side of Diesel Dash Wiring Harness - Perkins	2.24
View of Operator Position Facing Dash (Diesel)	2.25
View of Operator Position Facing Dash (Gas)	2.26
View of Transmission Assembly (Diesel)	2.27
View of Transmission Assembly (Gas)	2.28
View from Right of Foot Pedal Control	2.29
View from Right Side of Hydraulic Tank	2.30
View from Left Side of Fuel Tank	2.31
View of Hydraulic Filter Assembly	2.32
View from Back of Seat	2.33
View from Operator Position of Rear Valve (Straight Boom)	2.34
View from Operator Position of Rear Valve (Straight Boom)	2.35
View from Operator Position of Rear Valve (Prior to 1-1-01)	2.36
View from Operator Position of Rear Valve (Curved Boom Prior to 1-1-01)	2.37
View from Operator Position of Backhoe Valve (Curved Boom Prior to 1-1-01)	2.38
View from Operator Position of Rear Valve (Prior to 1-1-01)	2.39
View from Operator Position of Rear Valve (180 Swing)	2.40
View of Fitting Location for Rear Valve (180 Swing)	2.41
View of Hose Location for Rear Valve (180 Swing)	2.42
View of Right Rear Tire and Rim	2.43
View from Front of Rear Axle	2.44
Top View of Parking Brake Assembly	2.45
View from Left Side of Outrigger Assembly (Curved Boom)	2.46
View from Left Side of Swing Assembly (Curved Boom Prior to 1-1-01)	2.47
View of Backhoe Assembly for T5D with Straight Boom	2.48
View from Right Side of Swing Assembly (Straight Boom)	2.49
View of Left Side of Backhoe Assembly (Prior to 1-1-01)	2.50
View of Left Side of Rear Bucket & Linkage Assembly	2.51
T7 Backhoe Assembly 180 Degree	2.52
T7 Backhoe Assembly 180 Degree (continued)	2.53
Tooth Caps	2.54
Position to Check Proper Lever in Hydraulic Tank	2.55

SECTION THREE: DECALS

Decal Location - Front Arms	3.1
Decal Location - Side View	3.2
Decal Location - Dash	3.3
Decal Location - Dash (continued)	3.4
Decal Location - Right Fender	3.5
Decal Location - Left Fender	3.6
Decal Location - Side View (continued)	3.7
Decal Location - Rear Valve	3.8
Decal Location - Rear Valve (continued)	3.9

SECTION FOUR: COMPONENTS

T5D/T7 Pin Chart (Straight Boom)	4.1
T5D/T7 Pin Chart (Straight Boom)	4.2
T7 Pin Chart (Curved Boom Prior 1-1-01)	4.3
T7 Pin Chart (Curved Boom Prior 1-1-01)	4.4
T7 Pin Chart (180 Degree Boom)	4.5
T7 Pin Chart (180 Degree Boom)	4.6
Wiring Diagram Kohler Command 20HP/25HP	4.7
Wiring Diagram Perkins Diesel 20HP	4.8
Wiring Diagram Perkins Terminals	4.9
Wiring Diagram for Perkins Diesel Dash Harness	4.10
Wiring Diagram for Perkins Diesel Dash Harness (continued)	4.11
Wiring Diagram for Perkins Diesel Dash Harness (continued)	4.12
Wiring Diagram for Perkins Diesel Dash Harness (continued)	4.13
Wiring Diagram Kubota	4.14
Wiring Diagram Kubota (continued)	4.15
Glow Plug Timer Relay	4.16
Hose and Fitting Location for V10 Valve (180 Degree Swing)	4.17
View from Operator's Position for V10 Valve (180 Degree Swing)	4.18
Valve Section Service Kits V10	4.19
Valve Section Kits V10 (continued)	4.20
Valve Section Kits V10 (continued)	4.21
Valve Section Kits V10 (continued)	4.22
Valve Section Service Kits V10 (continued)	4.23
Valve Section Service Kits V10 (continued)	4.24
Hydrastatic Transmission	4.25
Hydrastatic Transmission (continued)	4.26
Sunstrand Transmission	4.27
Sunstrand Transmission (continued)	4.28
Gear Pump Part Number 66000 Gas / 66001 Diesel	4.29
MAB/MAE Torquemotor Exploded Assembly View	4.30
Rear Axle Assembly	4.31
Rear Axle Assembly (continued)	4.32
Schematic View of Typical Control Valve Assembly - V20	4.33
General Tightening Torque for Bolts, Nuts and Taperlock Studs - V20	4.34
4 Way, 3 Position Valve Section - V20	4.35
Load Check Plug Assembly - V20	4.36
Model J-HP High Pressure Relief - V20	4.37
SPK Monoblock Valve	4.38
Cylinder Components	4.39
T7 Loader Hydraulic Circuit Hose Lengths (in.)	4.40
T7 Rear Boom Hose Diagram V10	4.41
T7/T9 Sunstrand Diesel Hose Diagram with Oil Cooler	4.42

SECTION FIVE: OPTIONS

Quick Attach Backhoe Buckets	5.1
View of Clam Shell 4 in 1 Bucket (Factory Installed Option)	5.2
View of Clam Shell 4 in 1 Bucket from Drivers Position (Factory Installed Option)	5.3
View Under the Dash for Clam Shell 4 in 1 Bucket (Only as Factory Installed Option)	5.4

SECTION SIX: TRANSLATIONS

Translations	6.1 to 6.6
--------------------	------------

SECTION SEVEN: INDEX

Index	7.1 to 7.5
Sample: Limited New Product Warranty	7.6

History of Terramite Backhoes

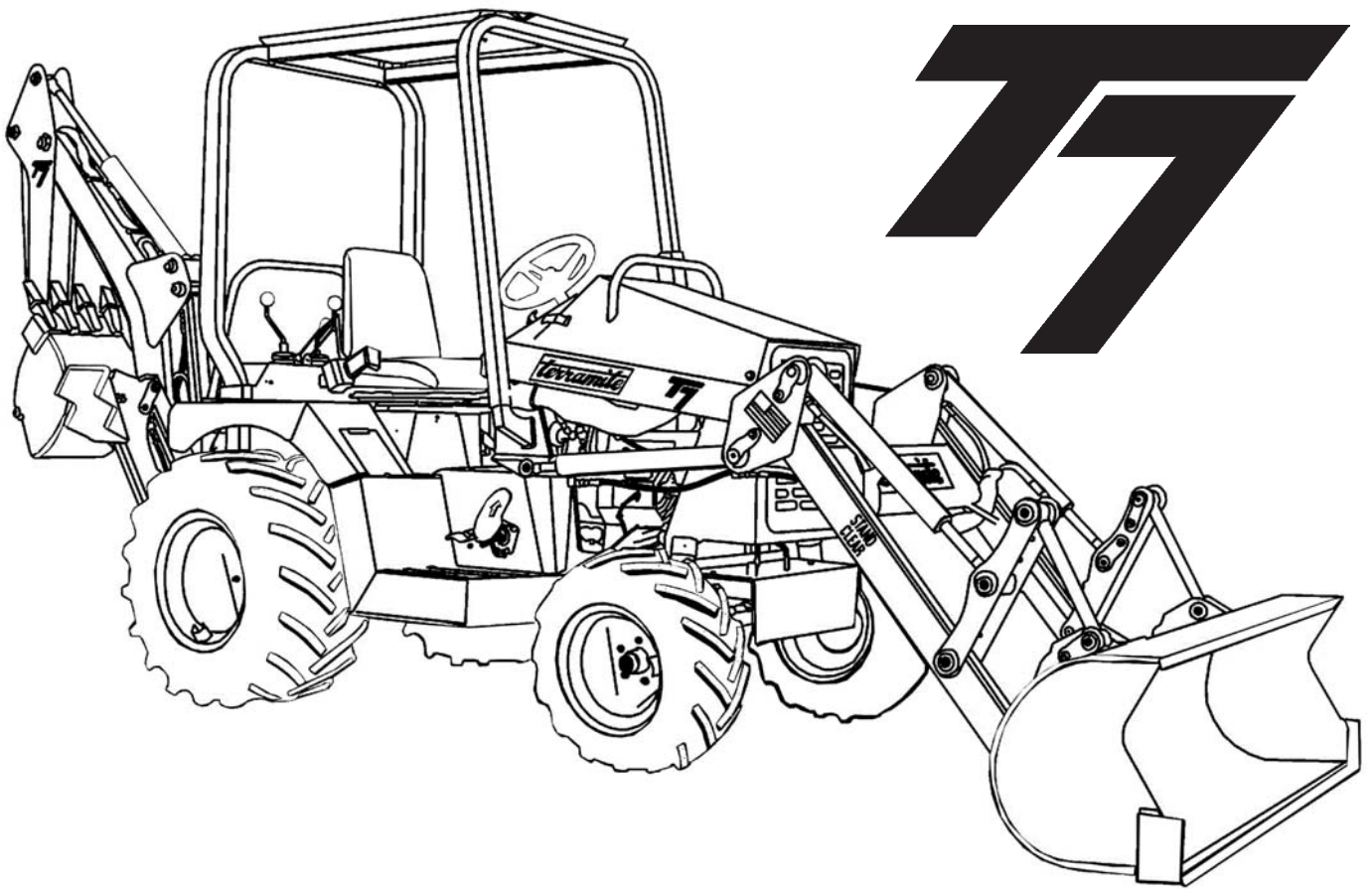
TERRAMITE was founded in 1965 by Kelly G. Cunningham. Mr. Cunningham realized that he could attach the digging part of a tunneling machine he manufactured to the front of a tractor, producing a versatile piece of equipment with a tremendous number of applications. He used the Gravelly 7.6 tractor to power his patented backhoe, creating the Model 1, the world's first compact backhoe. During the years 1965 to 1972, the Model 1 was produced, and a new Model T-2 with an endloader attachment was introduced.

In 1972, Mr. Cunningham purchased 19.5 acres in Cross Lanes, West Virginia and built the initial portion of the existing plant. Terramite now has 56 acres with a plant four times as large. Constant improvement in safety, durability, strength, load capacity and digging depth have resulted in the **T-3**, **T3-15**, **T4**, **T5**, **T5B** and **T5C**. In 1997 Terramite introduced the Terramite **T6**, the largest and most powerful compact tractor loader backhoe ever. 1999 brought the addition of the Terramite **T5D**. This newest member of the Terramite compact tractor loader backhoe family features center-mount steering, extended reach arms, dual front curl cylinders, and much more.

1999 was also a year of new products for Terramite. The **TX15 and TX25 Mini Excavators** and the **TSS36 and TSS38 Street Sweepers** were introduced at the 1999 ARA Trade Show in Las Vegas early February.

June 2000 the Models T5D and T6 were renamed Models **T7** and **T9**.

In addition to the Terramite backhoe lines, in 1985, Terramite created a concrete finishing product named the **Roller Screed**. The Roller Screed is used for paving parking lots, entrance ramps, roads, sidewalks and airport runways.



Before You Start

READ OPERATOR'S HANDBOOK

Carefully read all **WARNING!** and **DANGER!** messages in handbook and be sure you understand their meanings.

IMPORTANT! If this machine is used by the owner, an employee, or is loaned or rented, make sure that the following instructions are complied with:

1. The operator has read the **Operation and the Safety Rules** sections of the **Operator's Handbook**.
2. He has been given instructions on the safe and correct use of the machine.
3. He has practiced operating the machine and the use of all controls in a safe, clear area before he operates the machine on a job site.
4. He has read all safety decals on the machine.
5. He has been informed to clear the area of other persons and hidden hazards before starting the machine.

Safety Tips

Safety is a prime consideration in the design of this machine. Guards, shields and other safety features are built in wherever possible. However, accident reports show carelessness causes the majority of accidents. You can avoid most accidents by observing the safety rules on these pages. Study these rules carefully and enforce them on the job:

Never allow minors to operate or be in the vicinity of the machine while working.

Do not allow the T9 to be operated by anyone who is intoxicated or on medication that would affect their judgement or ability to operate the machine.

The machine is designed to be operated by adults who are of average size and weight. Persons who are extremely heavy, big or tall, or those who are exceedingly short, light or weak should not run the machine.

Before Operating the Terramite T9

Read the Operator's Handbook. Never allow anyone to operate the backhoe without reading the Operator's Manual and Safety Instructions. This should be followed by supervised training, if possible.

Check Your Equipment. Always make a complete inspection of the machine before operating it that day. Check the hydraulic system and the engine oil level. Then check the machine for broken, missing or defective parts. Check the tires for cuts, bulges, irregularities and abnormal wear and proper inflation. Check the neutral position of the foot pedal. A malfunctioning machine invites accidents.

Keep Your Machine Clean. Slippery surfaces are hazardous. Remove oil, grease or mud from the operating area of the tractor. Failure to keep these areas clean could cause a serious accident.

Wear Whatever is Needed for Protection. Protect yourself by wearing all the protective clothing and personal safety devices issued to you or required by job conditions. You may need a hard hat, safety shoes, safety glasses, heavy gloves, hearing protection, reflective clothing, wet weather gear and a respirator. Never take chances by wearing loose clothing, watches or rings.

Look For Hazards. Walk around a new work area and check for any hidden hazards, such as holes and hidden abutments.

Read and Heed Safety Decals. Make sure the safety and information decals can be easily read. To clean decals, use soap and water only. Gasoline or solvents will destroy the decals. If these decals are missing or illegible, call our Parts/Service Department for replacements.

Roll-Over Protective Structure. All Terramite T9 tractor loader backhoes are equipped with a Roll-Over Protective Structure. This is designed to protect the operator in the event of a roll-over. If this machine has been rolled over, the R.O.P.S. must be replaced. It is designed to be used only once.

Driving Pivot Pins. When driving pivot pins in or out, use care to guard against injury from particles that may chip off the pin or object used in striking the pin. These pins can fly out at high speed if they are not tapped lightly just before they come out. Make sure there isn't anyone or anything in the way, in case the pin flies out. Safety glasses should be worn.

Hand Signals

Purpose and Scope

The purpose of the hand signals is to provide an easy means of communications in the interest of safety. These hand signals are in general agreement with U.S. Army Field Manual, FM21-60, Section II, Standard Arm and Hand Signals. The standard provides for hand signals to be used in agricultural operations especially when noise or distance precludes the use of normal voice communications.



Fig. 1 - THIS FAR TO GO. Place palms at ear level facing head, move laterally inward to indicate remaining distance to go.



Fig. 2 - COME TO ME. Raise the arm vertically overhead, palm to the front, and rotate in large horizontal circles.



Fig. 3 - MOVE TOWARD ME. Beckon by holding the arm horizontally to the front, palm up, and motioning toward the body.



Fig. 4 - MOVE OUT - TAKE OFF. Face the desired direction of movement; hold the arm extended to the rear; then swing it overhead and forward in the direction of desired movement until it is horizontal, palm down.



Fig. 5 - STOP. Raise hand upward to the full extent of the arm, palm to the front. Hold that position until the signal is understood.



Fig. 6 - SPEED IT UP - INCREASE SPEED. Raise the hand to the shoulder, fist closed; thrust the fist upward to the full extent of the arm and back to the shoulder rapidly several times.

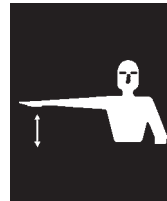


Fig. 7 - SLOW IT DOWN - DECREASE SPEED. Extend the arm horizontally sideward, palm down, and wave arm downward 45 deg. minimum several times, keeping the arm straight. Do not move arm above horizontal.



Fig. 8 - START THE ENGINE. Simulate cranking the vehicle by moving arm in a circular motion at waist level.



Fig. 9 - STOP THE ENGINE. Draw right hand palm down, across the neck in a "throat cutting" motion from left to right.

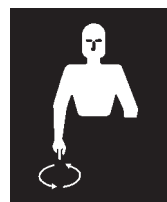


Fig. 10 - LOWER EQUIPMENT. Make circular motion with either hand pointing to the ground.



Fig. 11 - RAISE EQUIPMENT. Make circular motion with either hand at head level.

CALL FIRST

Call Your One-Call System First

Before you start any digging project, don't forget to call the local One-Call System in your area. If you don't call, you may have an accident or suffer injuries, cause interruption of services, damage the environment or experience job delays. The One-Call System will notify participating utility companies of your proposed digging activities.

If you don't know the number for the local One-Call in your area, dial the national One-Call referral number toll free, 1-888-258-0808 for this information.

Utilities will then mark their underground facilities by using the following international marking codes:

Red	- Electric
Yellow	- Gas, Oil or Petroleum
Orange	- Communication, Telephone, TV
Blue	- Potable Water
Green/Brown	- Sewer
White	- Proposed Excavation
Pink	- Temporary Survey Markings

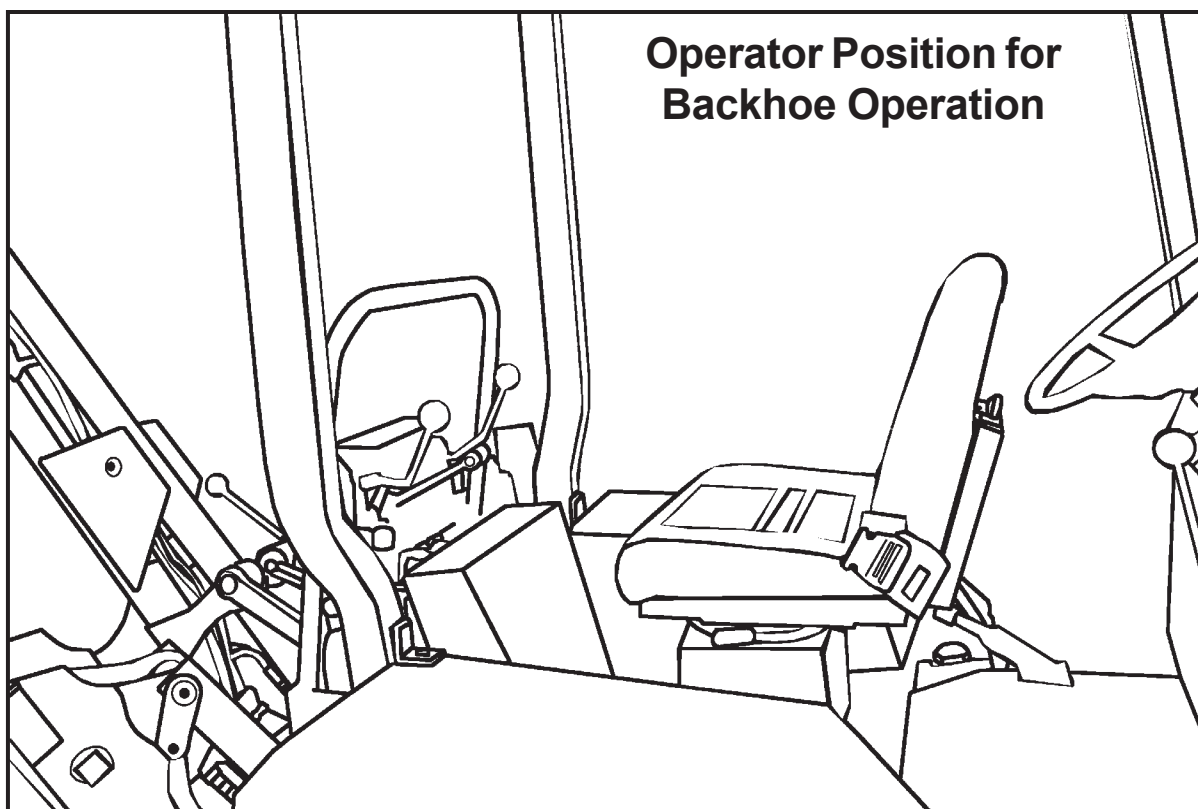
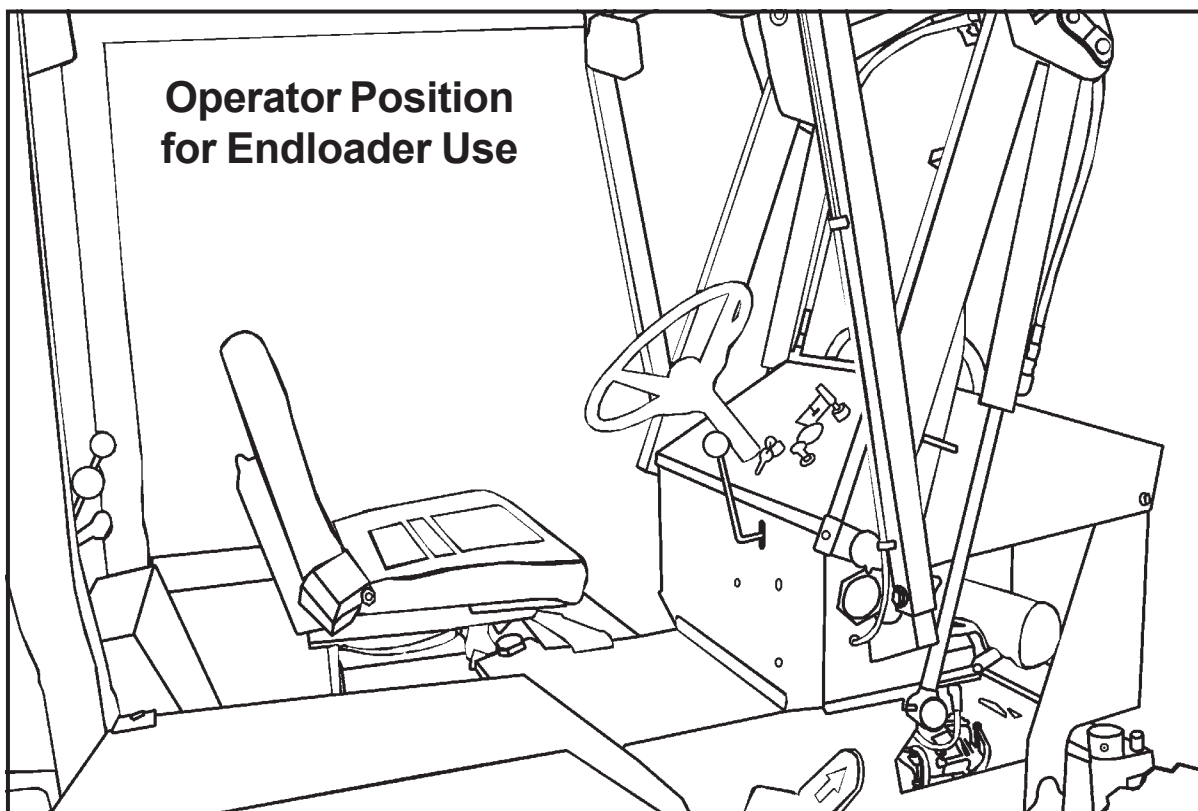


WARNING

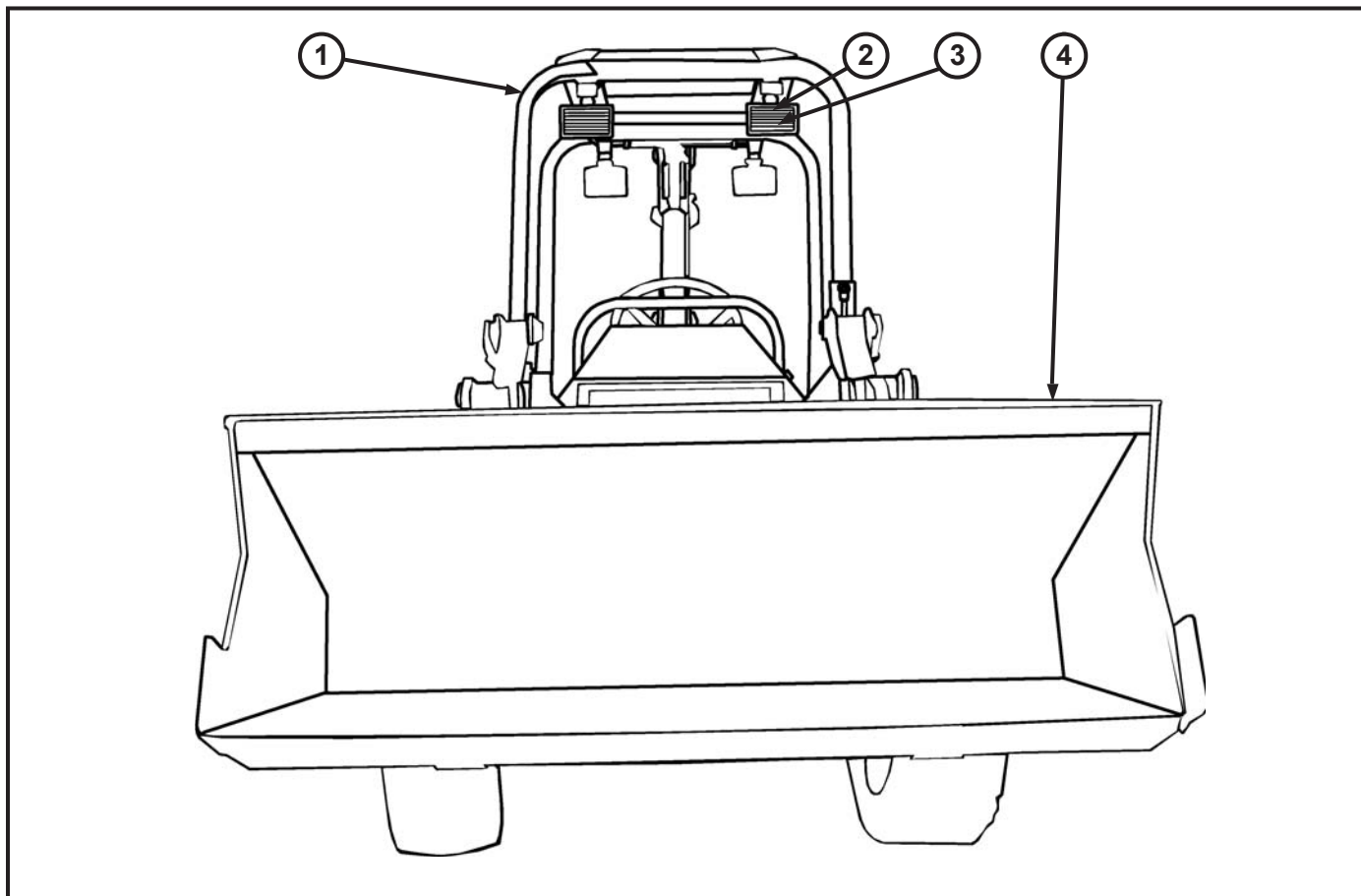
Always contact your local One-Call system before starting your digging project.

One-Call Safety Labels & Placards Available From
Hazard Communication Systems, Inc. ♦ 800-748-0241

Please Note: Left or Right is Determined from the Operator's Position

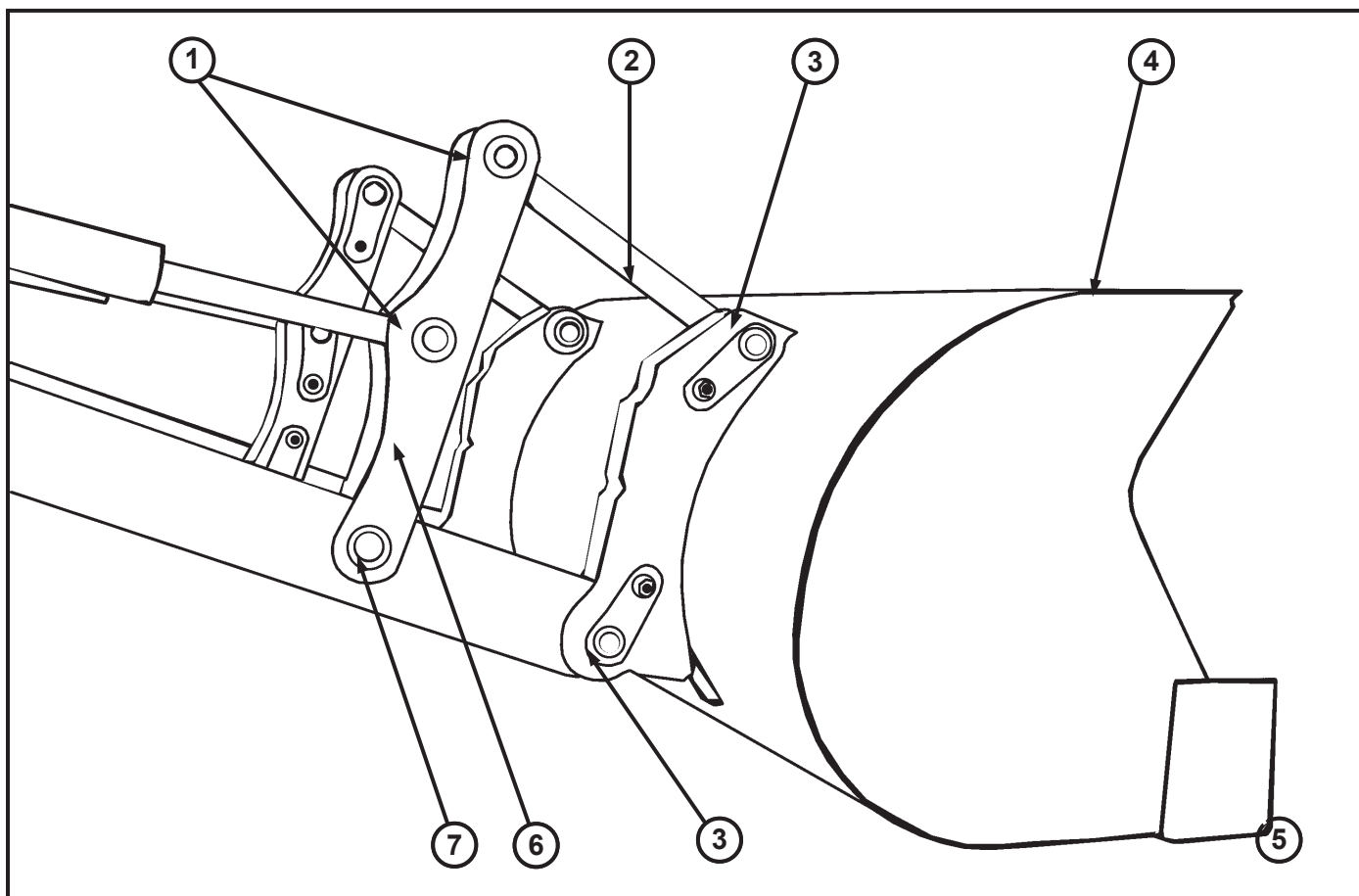


View of Front Loader Bucket



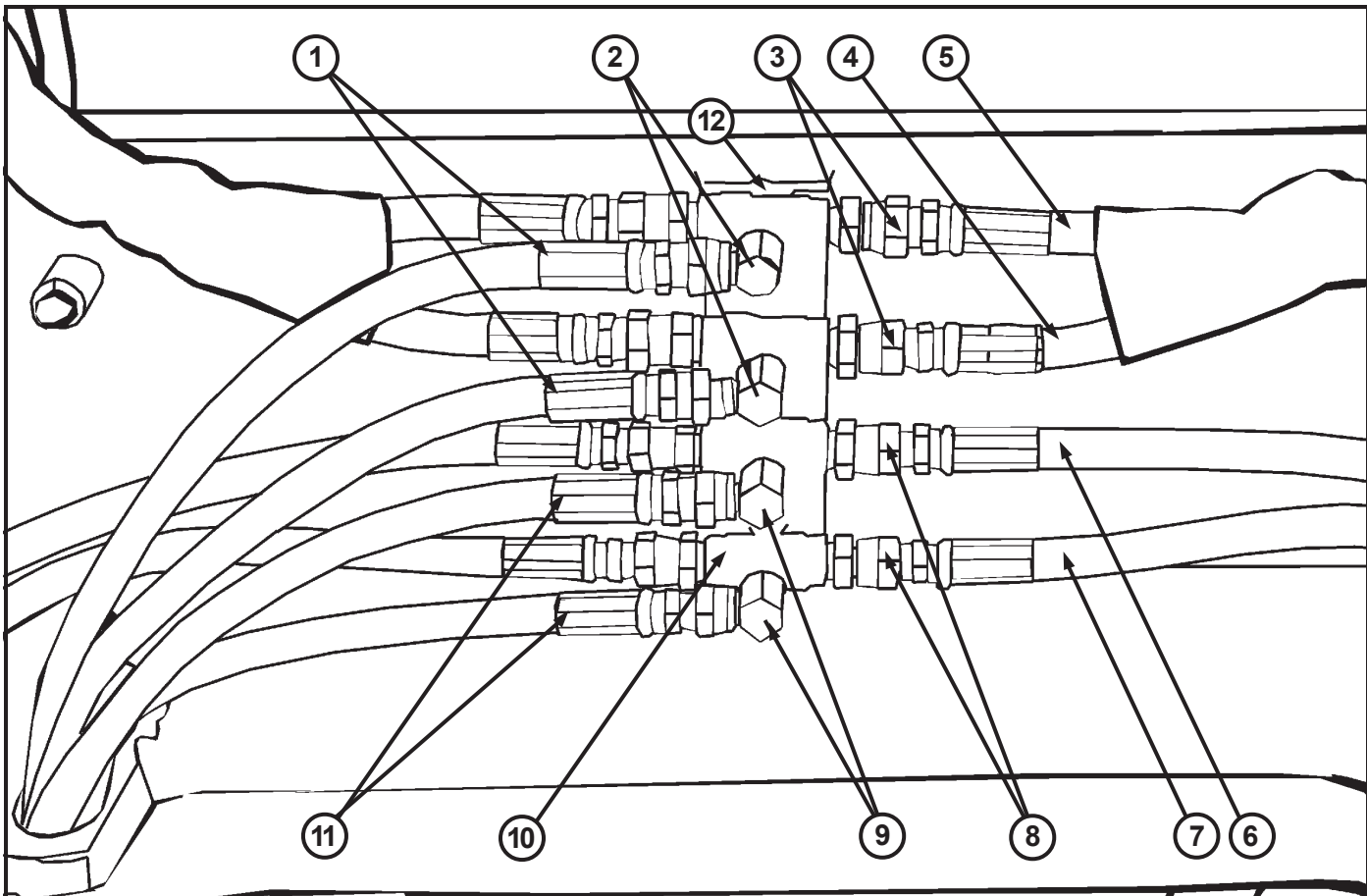
ITEM	PART NUMBER	DESCRIPTION	QTY.
1	18043	Assembly, ROPS, Front and Rear, T5C/T5D/T6/T7/T9 (Arm Strut Included)	1
2	77075	Light, Flood, Rectangle, T5B/T5C/T5D/T6/T7/T9	4
3	74047	Bulb, Halogen, T5C/T5D/T6/T7/T9	4
4	13357	Bucket, Loader, 56" Wide, T5D/T7	1

View of Right Side of Loader Bucket



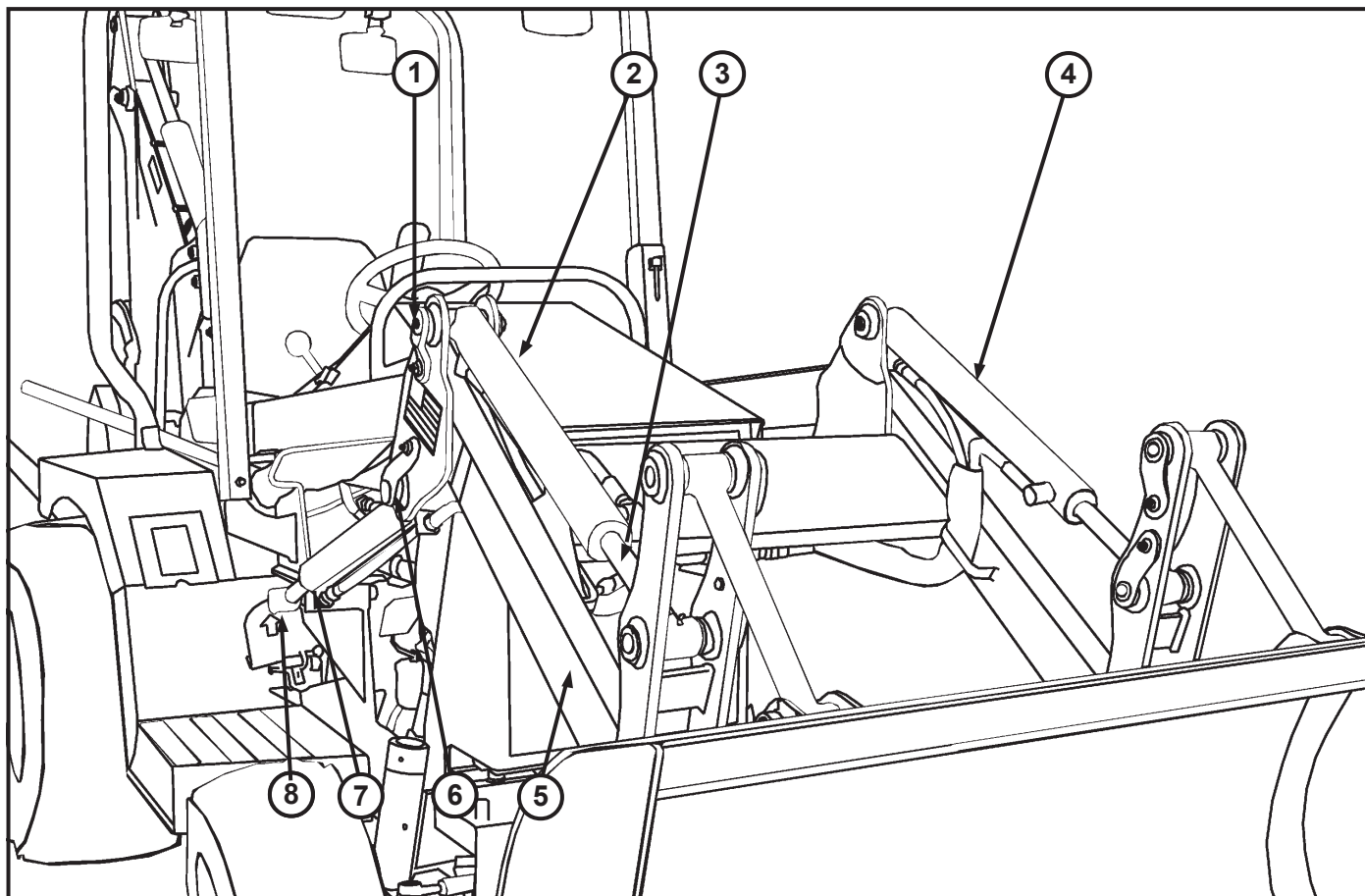
ITEM	PART NUMBER	DESCRIPTION	QTY.
1	17176	Pin, 5 1/2", Arm Link to Arm Cylinder, T5D/T6/T7/T9	4
2	12037	Rod, Link, Loader Arm, T5D/T6/T7/T9	2
3	13200	Pin, 4 3/4", Front Bucket to Arm, T5C/T5D/T6/T7/T9	4
4	13357	Bucket, Loader, 56" Wide, T5D/T7	1
5	13056	Edge, Cutting, 56" Loader, T5D/T7	1
6	12048	Arm Link Brace, Right, T5D/T6/T7/T9	2
	12079	Arm Link Brace, Left, T5D/T6/T7/T9	
7	17178	Pin, 5 1/2", Arm Link to Arm, T5D/T6/T7/T9	2

View of Underside of Arm Center



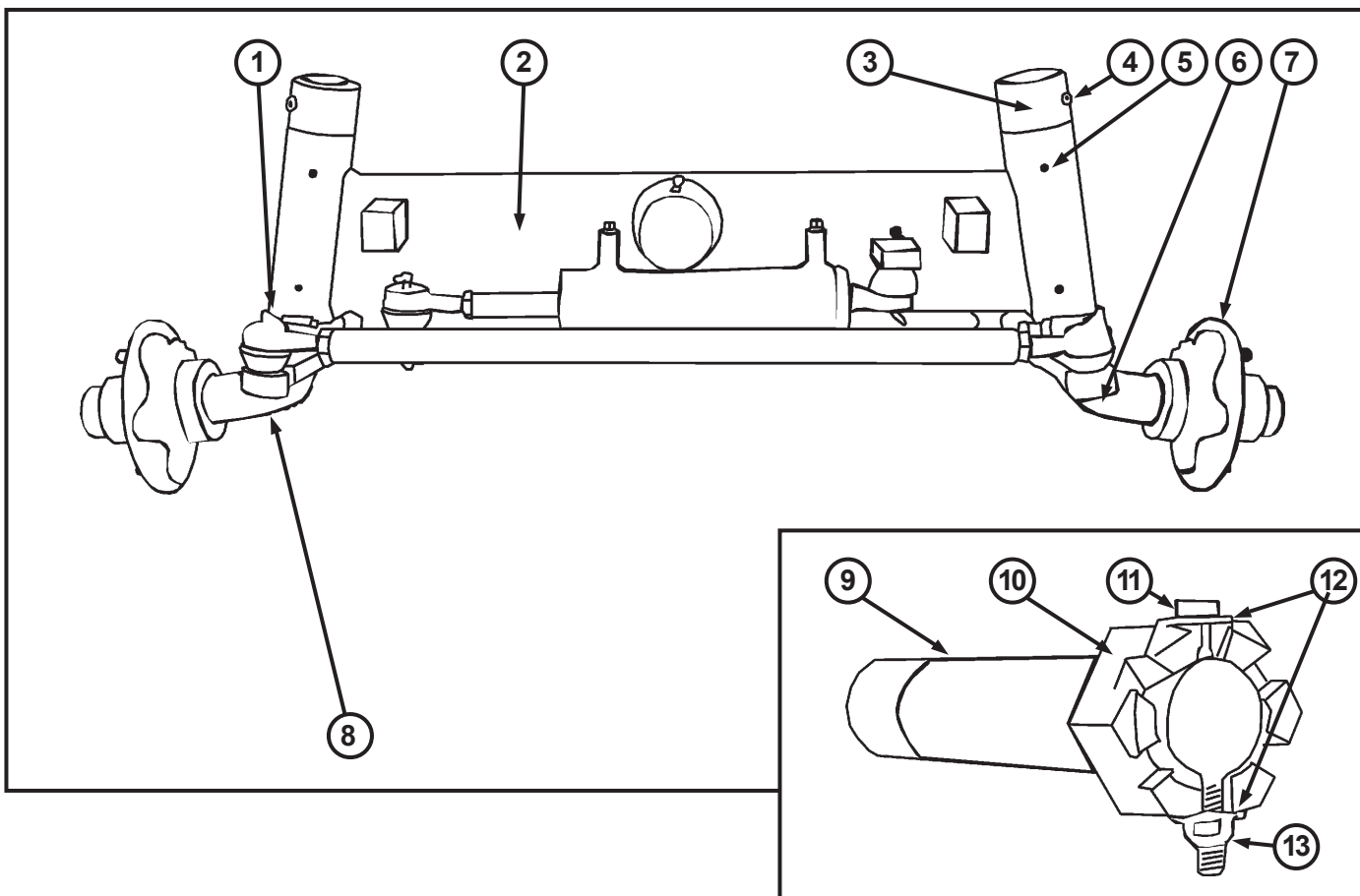
ITEM	PART NUMBER	DESCRIPTION	QTY.
1	80132	Hose, $\frac{3}{8}$ " x 70"	4
2	20063	Fitting, $\frac{3}{8}$ " MP x $\frac{3}{8}$ " 90° Swivel, Stubby, T5D/T6/T7/T9	2
3	20176	Fitting, $\frac{3}{8}$ " M x $\frac{3}{8}$ " FM, Swivel	8
4	80134	Hose, $\frac{3}{8}$ " x 28"	2
5	80133	Hose, $\frac{3}{8}$ " x 26"	2
6	88418	Hose, $\frac{1}{4}$ " x 18"	2
7	80055	Hose, $\frac{1}{4}$ " x 38"	2
8	20177	Fitting, $\frac{3}{8}$ " M x $\frac{1}{4}$ " F, Straight Swivel	4
9	22118	Fitting, $\frac{3}{8}$ " M 90° x $\frac{1}{4}$ " F, Swivel	2
10	22266	Fitting, $\frac{3}{8}$ " Tee, Weld-On	4
11	80131	Hose, $\frac{1}{4}$ " x 70"	2
12	12046	Plate	1

View of Right Side of Arm Assembly



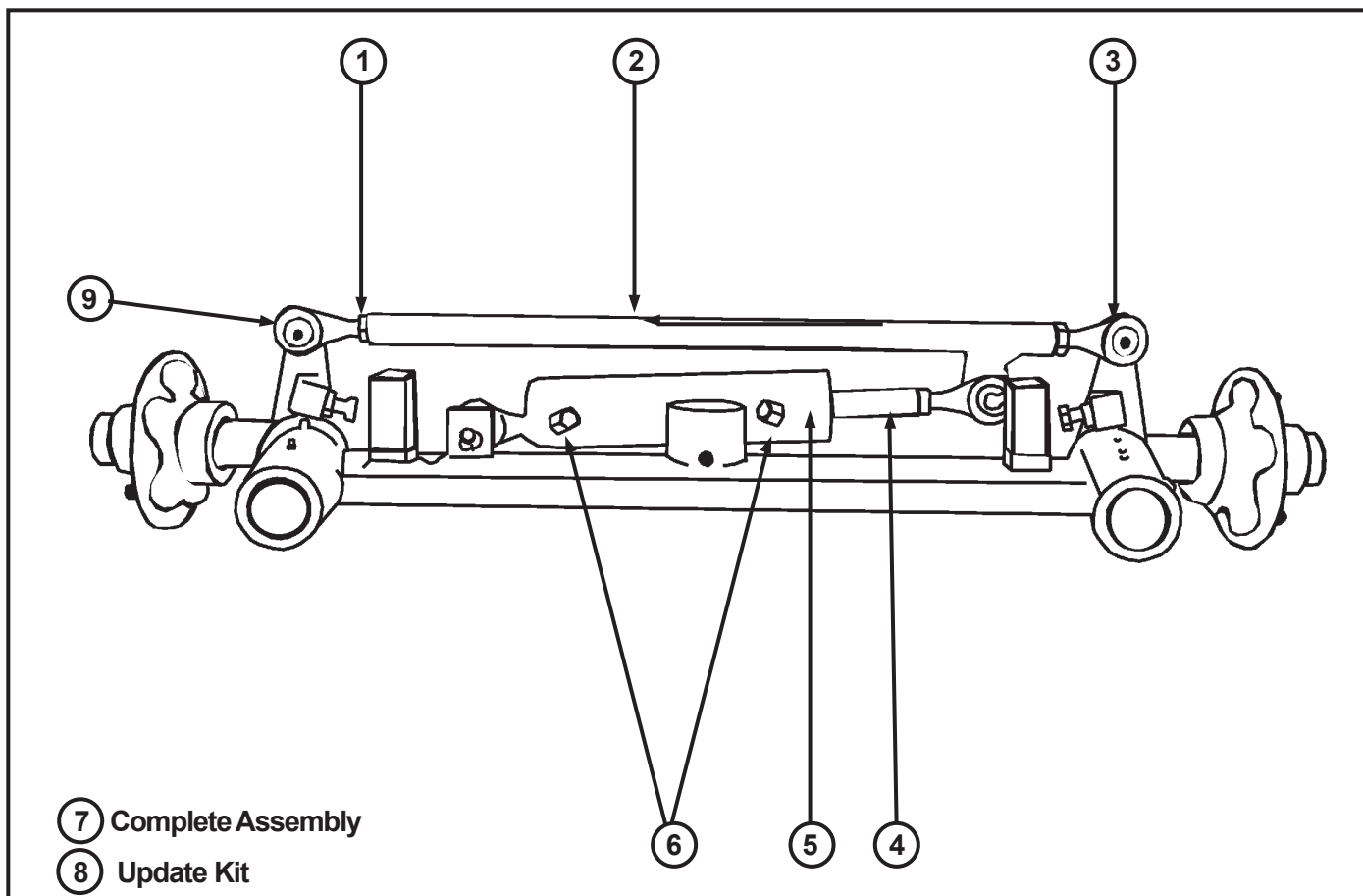
ITEM	PART NUMBER	DESCRIPTION	QTY.
1	12600	Pin, 5 1/4", Arm Cylinder to Arm, T5C/T5D/T6/T7/T9	2
2	82074	Cylinder, Front Curl, Right, T5D/T6/T7/T9	1
3	82073	Rod, 22 1/4", Front Curl, T5D/T6/T7/T9	2
4	82066	Cylinder, Front Curl, Left, T5D/T6/T7/T9	1
5	12074	Assembly, Arm, T5D (Includes Decals)	1
	12075	Assembly, Arm, T7 (Includes Decals)	
6	17179	Pin, 5 1/2", Arm Bracket to Arm Cylinder, T5D/T6/T7/T9	2
7	12026	Cylinder, Arm Lift, T5C/T5D/T7	2
8	12301	Pin, 7 7/8", Arm Cylinder Rod to Frame, T5B/T5C/T5D/T6/T7/T9	1

View of Front Axle (Bumper Not Shown) (Prior 1/1/01)



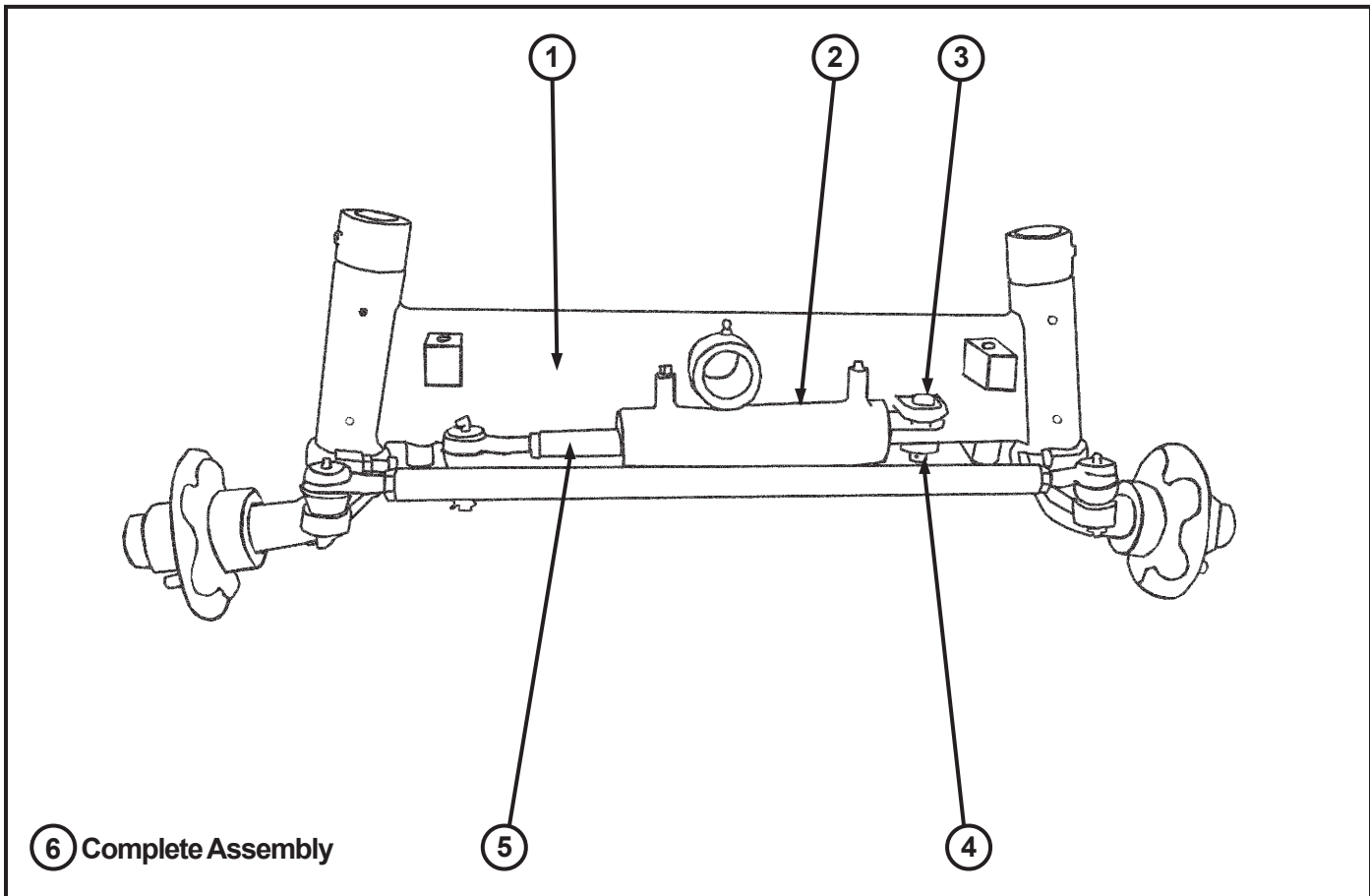
ITEM	PART NUMBER	DESCRIPTION	QTY.
1	53091	Bearing, Thrust, F Spin, T5C/T5D/T6/T7/T9 2WD (not shown)	2
2	53212	Axle, Front, T5D/T7 (prior 1/1/01)	1
3	53107	Boss, Spindle Lock, T5D/T6/T9 2WD	2
4	28501	Screw, Set, 1/2" - 20 x 1/2" Plain	4
5	21428	Fitting, Grease 1/4" - 28 Straight	4
6	53050	Spindle, Front, Left, 9 5/8", T5D/T7/T6/T9 2WD	1
7	53137	Hub, 5 on 4.5", T5C/T5D/T6/T7/T9 2WD	2
8	53116	Spindle, Front, Right, 9 5/8", T5D/T7/T6/T9 2WD	1
PIVOT PINS & BOLTS			
9	15406	Pin, Front Axle Pivot, 1 1/4", T5C/T5D/T7 (prior 11/00)	1
10	53081	Nut, Hex, 1 1/4" - 12 Slotted Regular	2
11	15013	Bolt, 1/4" - 20 x 2 1/2" Gr8 Z	2
12	24008	Washer, 1/4" Flat USS	2
13	28504	Nut, 1/4" NC Lock Z	1

View of Front Axle (continued)(prior 1/01/01)



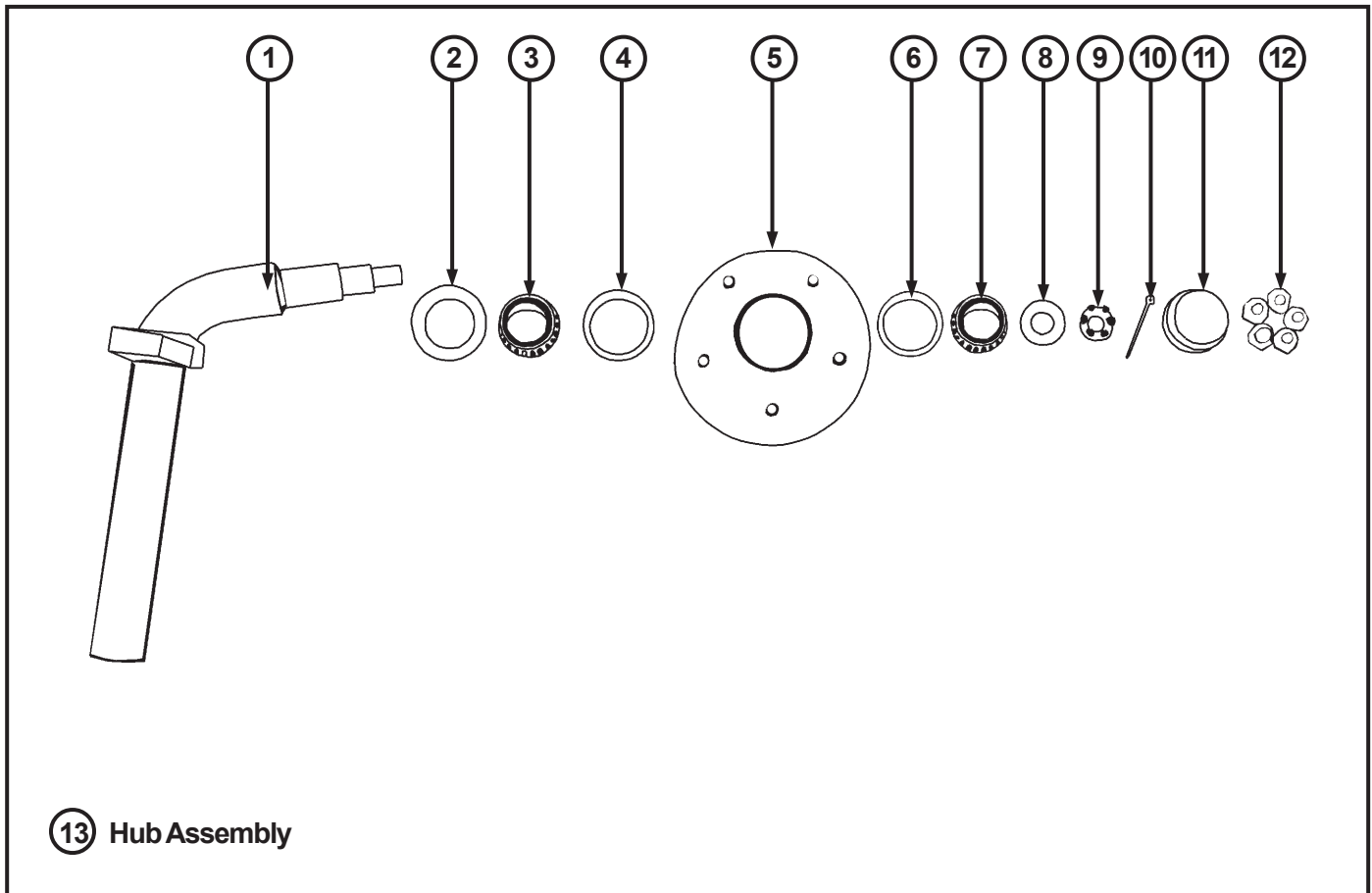
ITEM	PART NUMBER	DESCRIPTION	QTY.
1	28503	Nut, Jam, $\frac{5}{8}$ " NF Z	3
2	53054	Tie Rod, T5C/T5D/T6/T7/T9	1
3	53043	Tie Rod End, w/Kit, T5C/T5D/T6/T7/T9	4
4	25803	Rod, Power Steering, T5C, T5D/T6/T7/T9 2WD	1
5	25815	Cylinder, Power Steering, T5C/T5D/T6/T7/T9	1
6	23174	Fitting, $\frac{1}{4}$ " M x $\frac{1}{4}$ " F 45° Degrees	2
7	53092	Assembly, Axle, Front, T5D/T7 (Completely Assembled)	1
8	53131	Update Kit for Axle (prior to 1/01/01)	1
9	53221	Tie Rod, Ball Socket After Ser# 2370201	1

View of Front Axle - Ball Socket Style (Bumper Not Shown)(After 1/1/01)



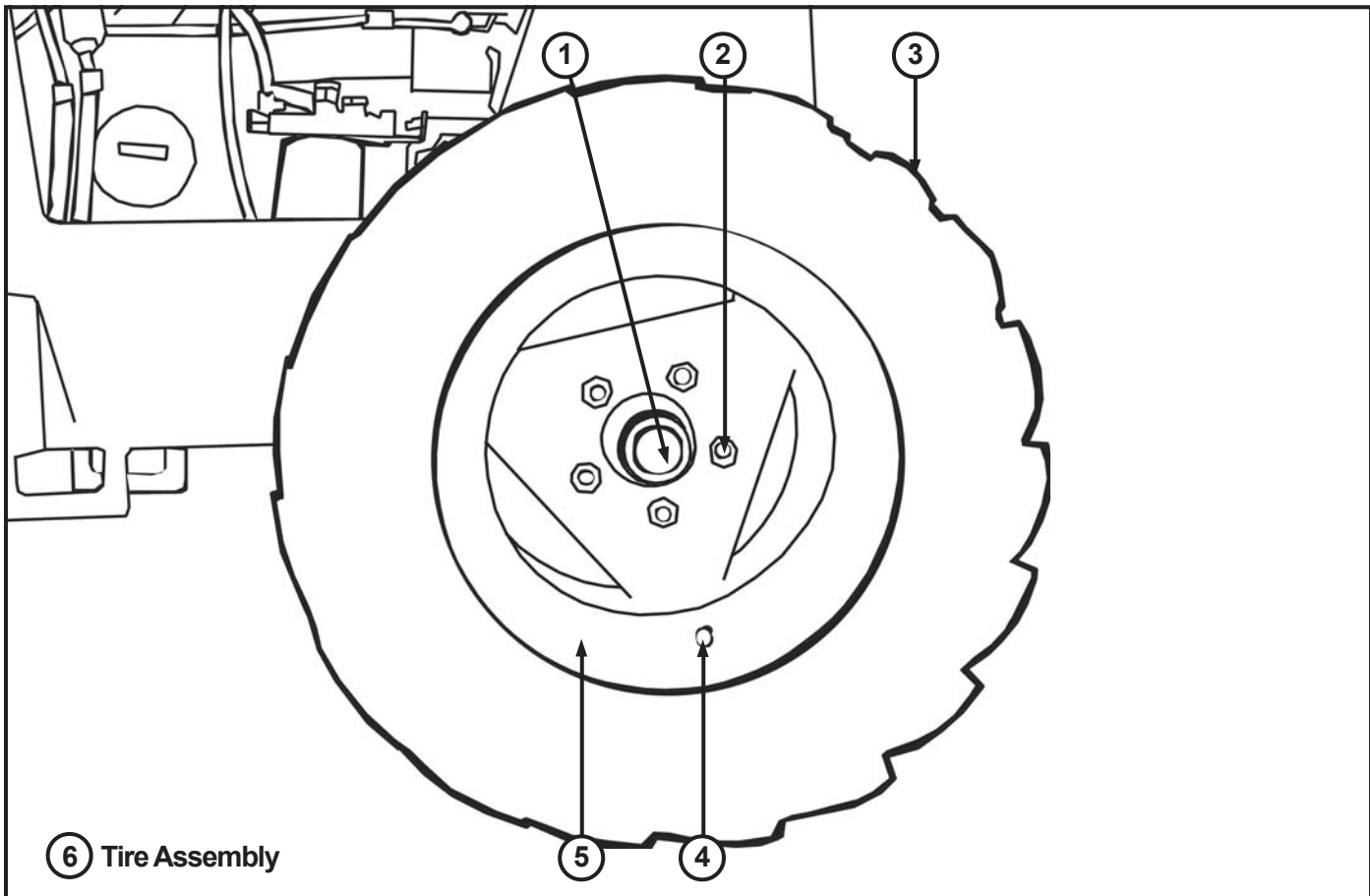
ITEM	PART NUMBER	DESCRIPTION	QTY.
1	53201	Axle, Front, T7/T9 2W	1
2	81212	Cylinder, Power Steering, Ball Socket Style, T5C/T7/T9 2WD	1
3	24028	Pin, Clevis, $\frac{5}{8} \times 2 \frac{1}{4}$ "	1
4	53160	Pin, Cotter, $\frac{1}{8} \times 1 \frac{3}{4}$ "	1
5	25803	Rod, Power Steering, T5C/T5D/T6/T7/T9 2WD	1
6	15162	Assembly, Axle, Front, Ball Socket, T7/T9 2WD	1

View of Hub Assembly and Spindle



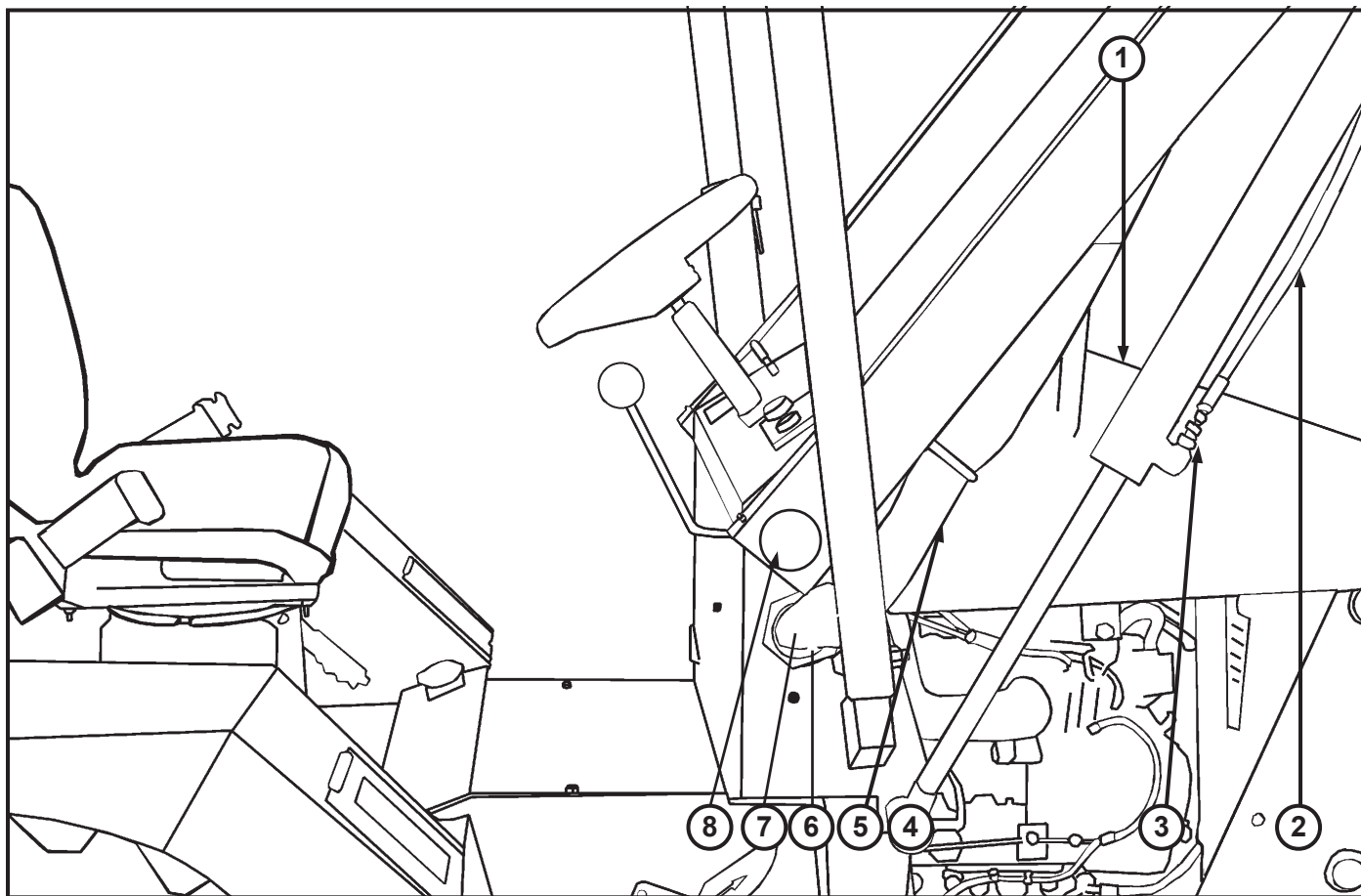
ITEM	PART NUMBER	DESCRIPTION	QTY.
1	53116	Spindle, Front, Right, T5D/T7 T6/T9 2WD	1
	53050	Spindle, Front, Left, T5D/T7 T6/T9 2WD	
2	53111	Seal, Front, Hub, T5C/T5D/T6/T7/T9	1
3	53123	Bearing, Front, Inner, T5C/T5D/T6/T7/T9	1
4	53124	Race, 5 on 5.5, Front, Inner, T5C/T5D/T6/T7/T9	1
5	53137	Hub, 5 on 4.5, T5C/T5D/T6/T7/T9	1
6	53058	Race, Old Style, In & Out and New Style Outer, T5C/T5D/T6/T7/T9	1
7	53125	Bearing, Front, Outer, T5C	1
8	53140	Washer, $\frac{3}{4}$ ", SAE Z, Front Axle	1
9	53150	Nut, Castellated, $\frac{3}{4}$ ", Front Hub	1
10	53160	Pin, Cotter, $\frac{1}{8}$ x $1\frac{3}{4}$ "	1
11	53170	Cap, Dust, T3/T4/T5C/T5D/T6/T7/T9	1
12	28506	Nut, Lug, $\frac{1}{2}$ " - 20 ID x $\frac{13}{16}$ " OD, Front & Rear	5
13	53136	Assembly, Hub, 5 on 4.5 (Spindle Not Included)	1
14	53227	Bearing Kit w/no Hub	1

View of Right Front Tire and Rim



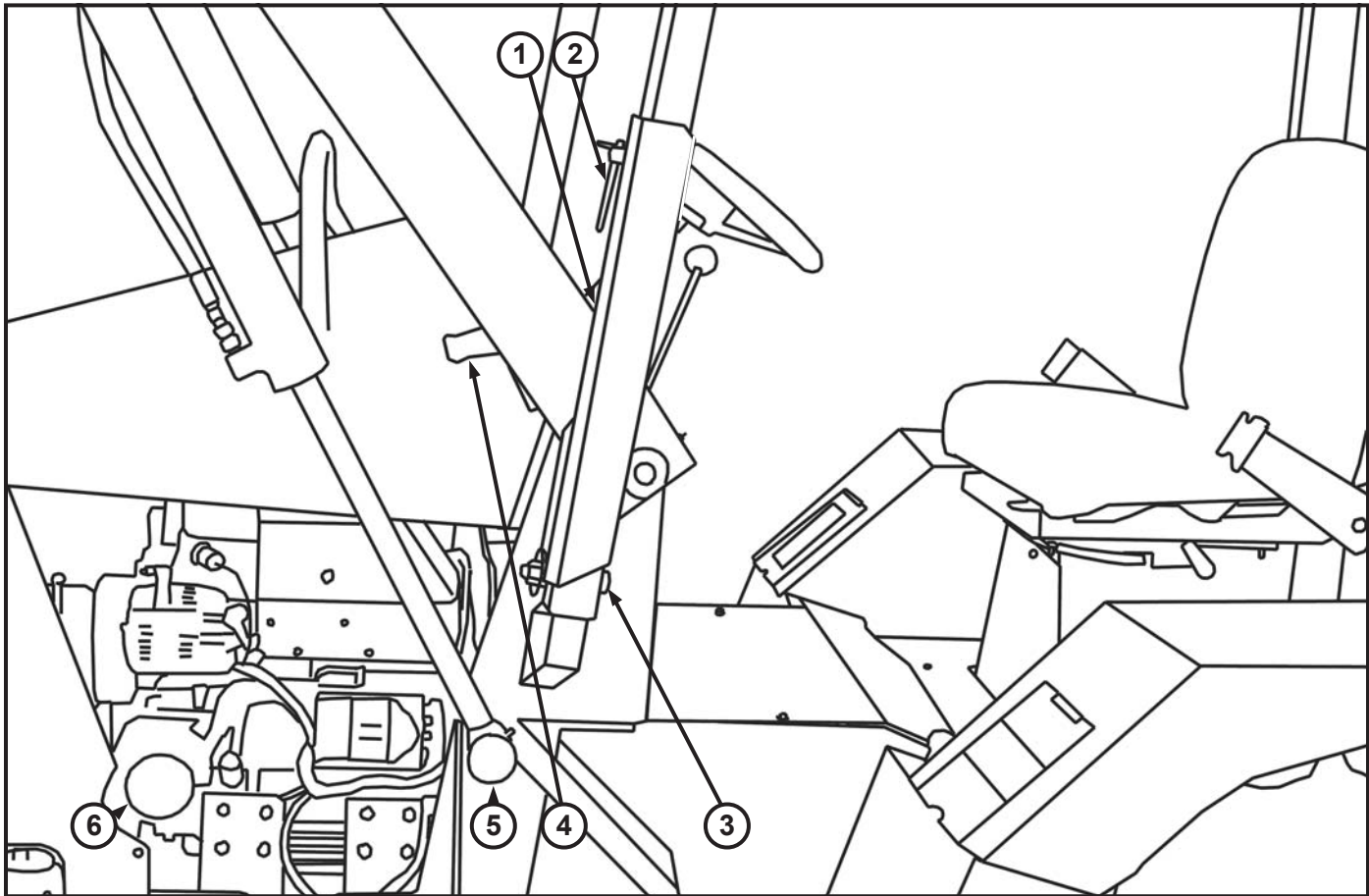
ITEM	PART NUMBER	DESCRIPTION	QTY.
1	53170	Cap, Dust, T3/T5C/T5D/T6/T7/T9	1
2	28506	Nut, Lug, 1/2" - 20 ID x 13/16" OD, Front & Rear	5
3	51275	Tire, Front, 23" x 10.5" x 12", T6/T7/T9	1
4	51273	Valve, Tire, Front	1
5	50017	Rim, Front, T5D/T6/T7/T9	1
6	51019	Assembly, Tire & Rim, Front, T6/T7/T9	1

View of Right Side of Tractor



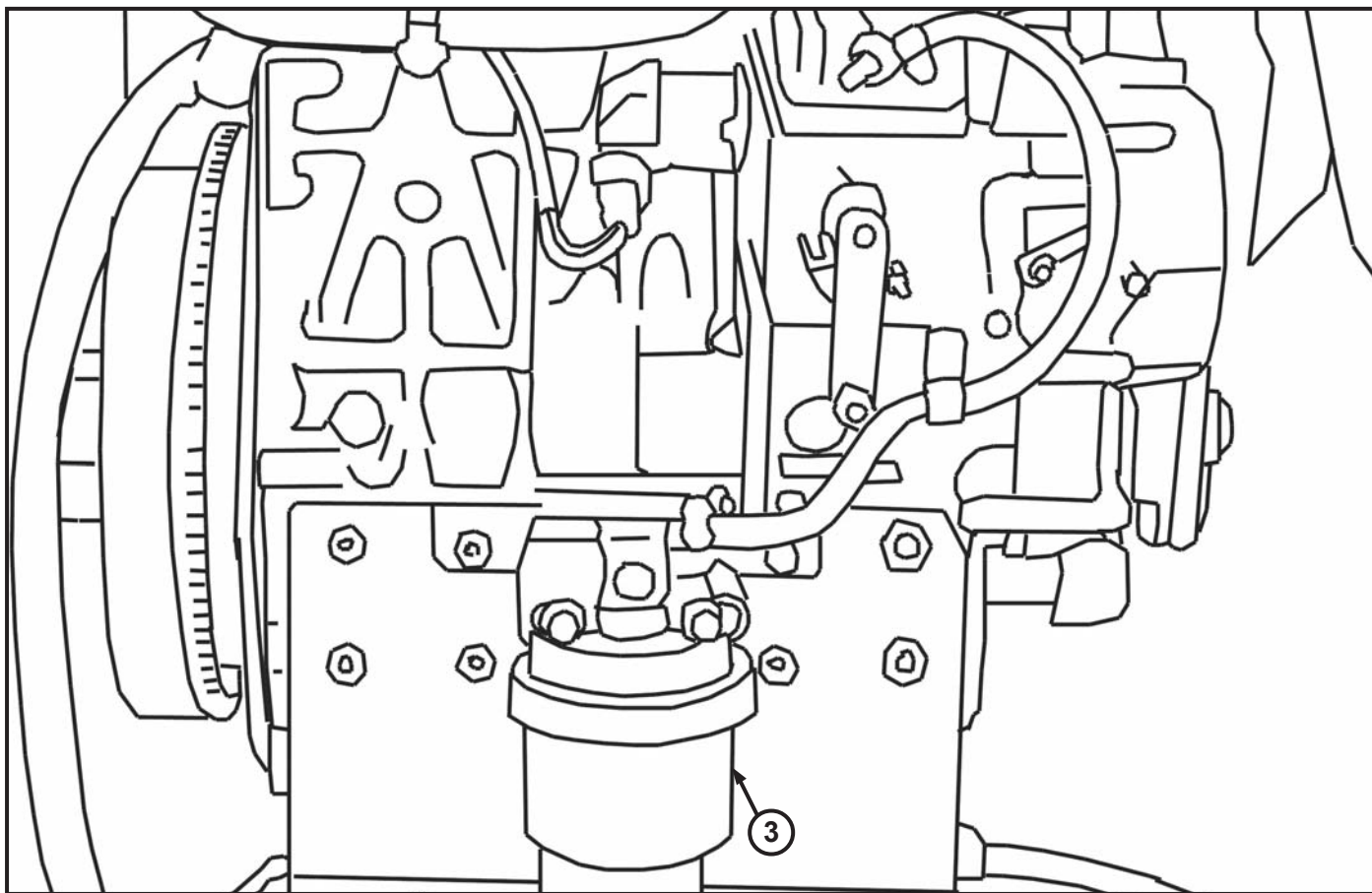
ITEM	PART NUMBER	DESCRIPTION	QTY.
1	15126	Hood, T5D/T7	1
2	80055	Hose, 1/4" x 38"	1
3	20174	Fitting, 1/4" MP x 1/4" FM Swivel	1
4	12301	Pin, 7 7/8", Arm Cylinder, Rod to Frame, T5B/T5C/T5D/T6/T7/T9	1
5	80025	Wrap, Hose, 4" (Sold per Foot)	4
6	80132	Hose, 3/8 x 70"	2
7	80131	Hose, 1/4" x 70"	2
8	12300	Pin, 6 7/8", Arm to Frame, T5B/T5C/T5D/T6/T7/T9	1

View of Left Side of Tractor



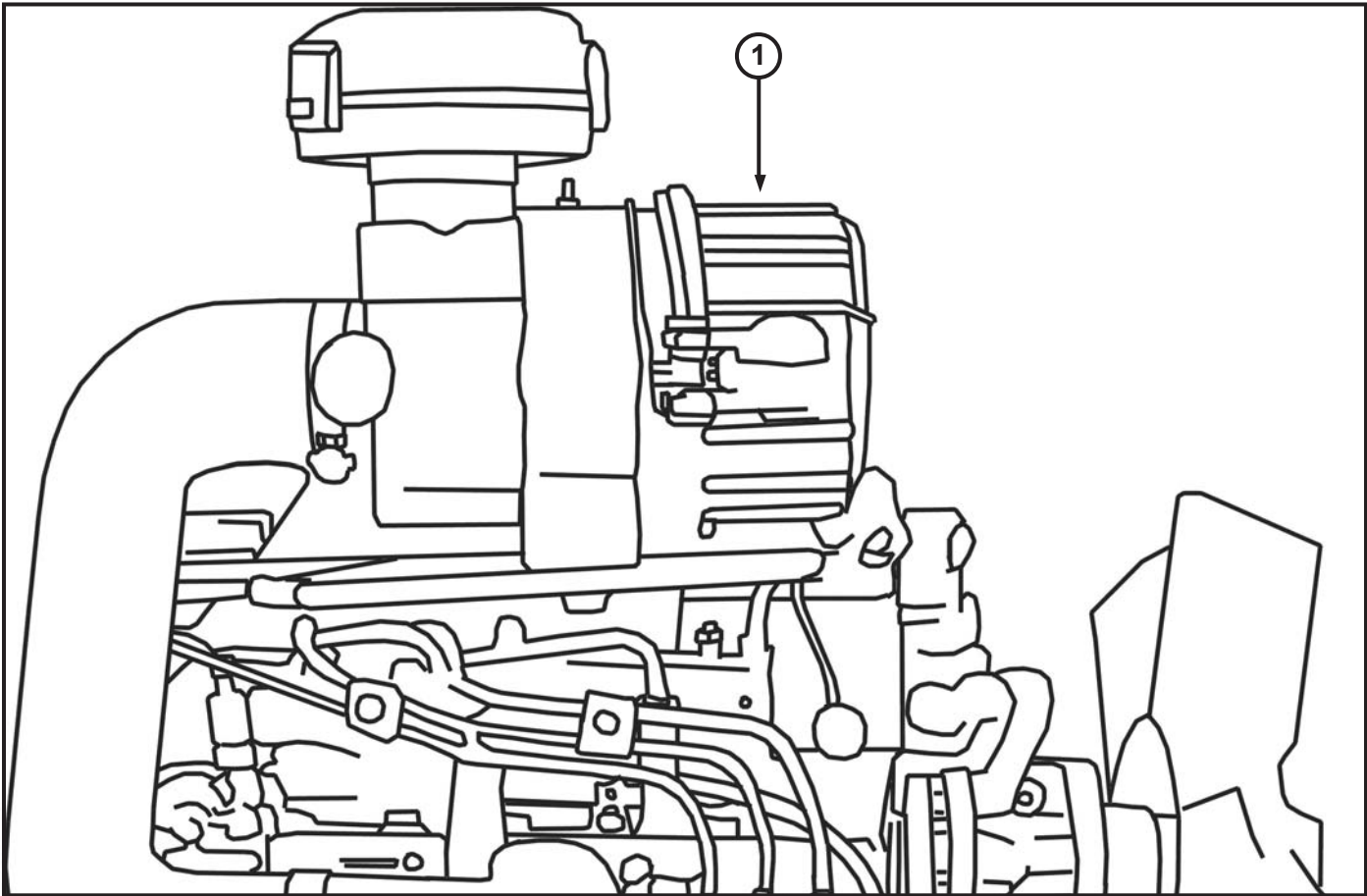
ITEM	PART NUMBER	DESCRIPTION	QTY.
1	12056	Strut, Lift, Arm, Loader, T5C/T5D/T6/T7/T9	1
2	17200	Pin, Quick Release w/Ring Grip, T5C/T5D/T6/T7/T9	1
3	22109	Bolt, 1/2 x 3 1/2" NC Gr8 Z	1
4	15542	Latch, Hood, T5D/T6/T7/T9	1
5	17198	Pin, 8 1/2", Arm Lift Cylinder to Strut, T5C/T5D/T6/T7/T9	1
6	21003	Oil Filter 25HP Kubota	1

Right Side of Diesel Engine Compartment - Kubota (Without Air Filter)



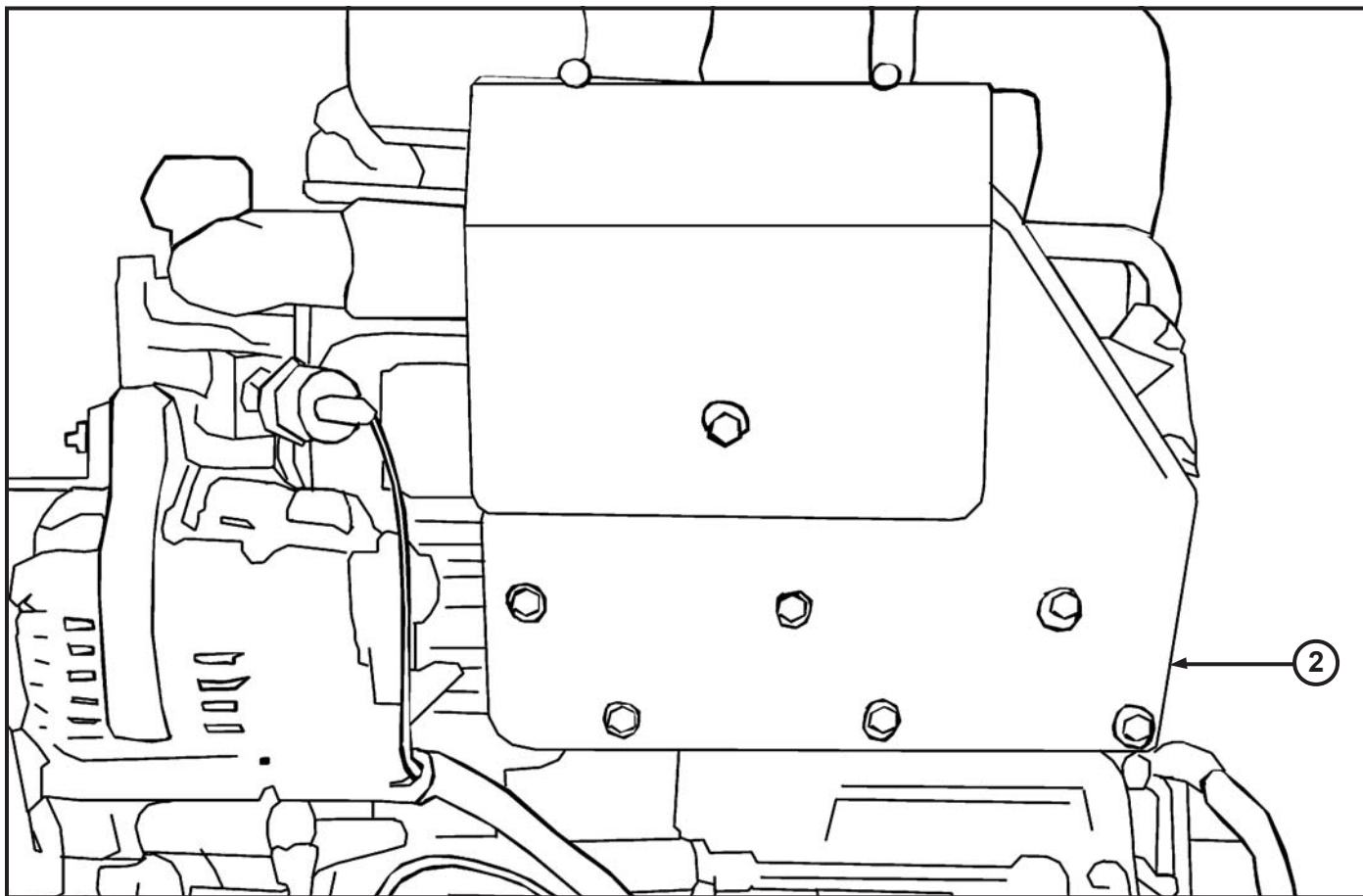
ITEM	PART NUMBER	DESCRIPTION	QTY.
1	15506	Filter, Fuel, $\frac{5}{16}$ " , T5C/T5D/T6/T7/T9 (not shown)	1
2	21003	Filter, Oil, 25hp., T5D/T6/T7/T9	1
3	43396	Filter, Fuel Element, 25 & 32.5hp., T5D/T6/T7/T9	1

View of Diesel Air Filter Assembly



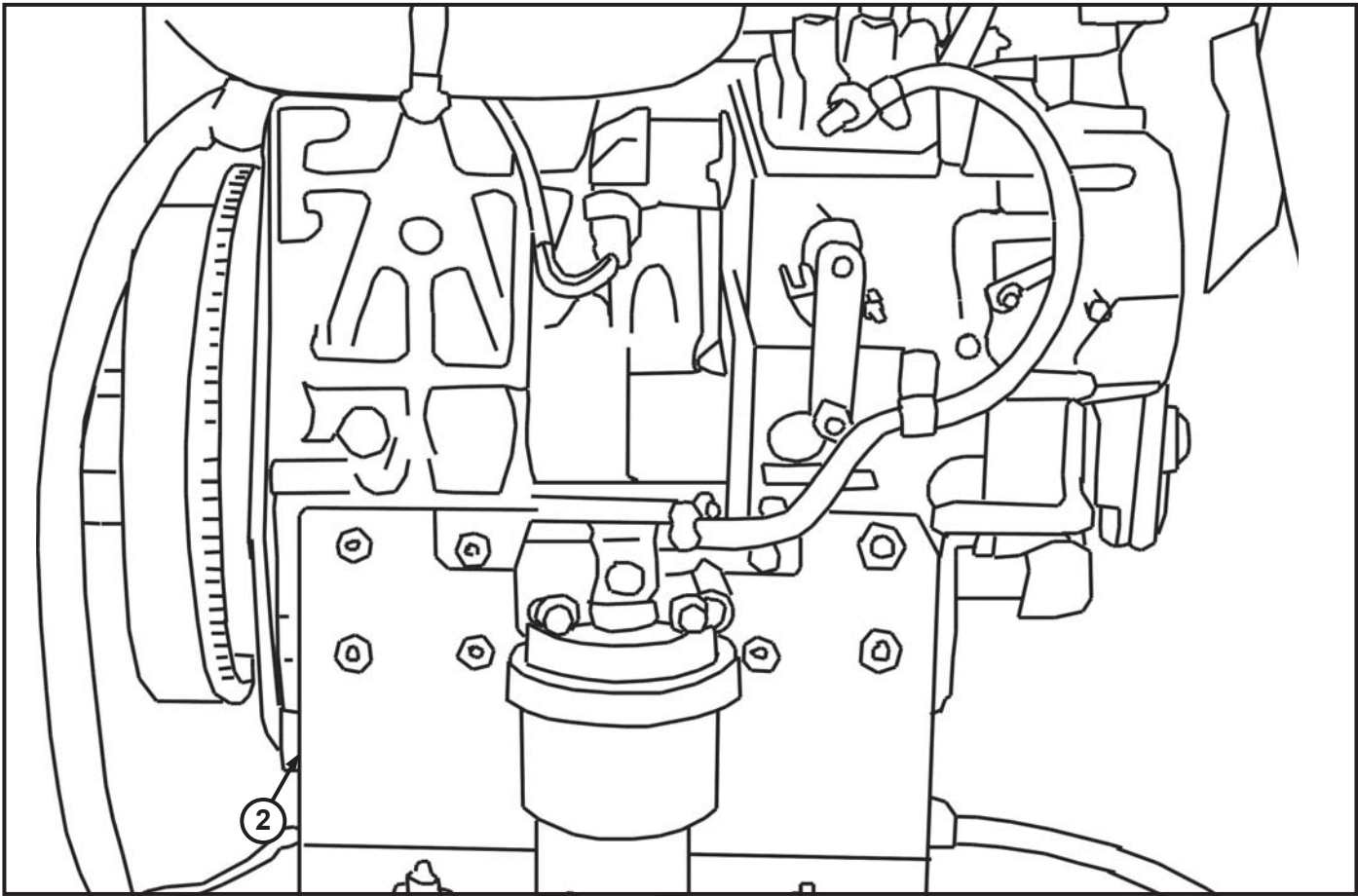
ITEM	PART NUMBER	DESCRIPTION	QTY.
1	41056	Kit, Air Cleaner Filter, 3 Cylinder, Kubota	1
2	41074	Filter, Air (Not Shown)	1

View of Muffler Assembly - Diesel



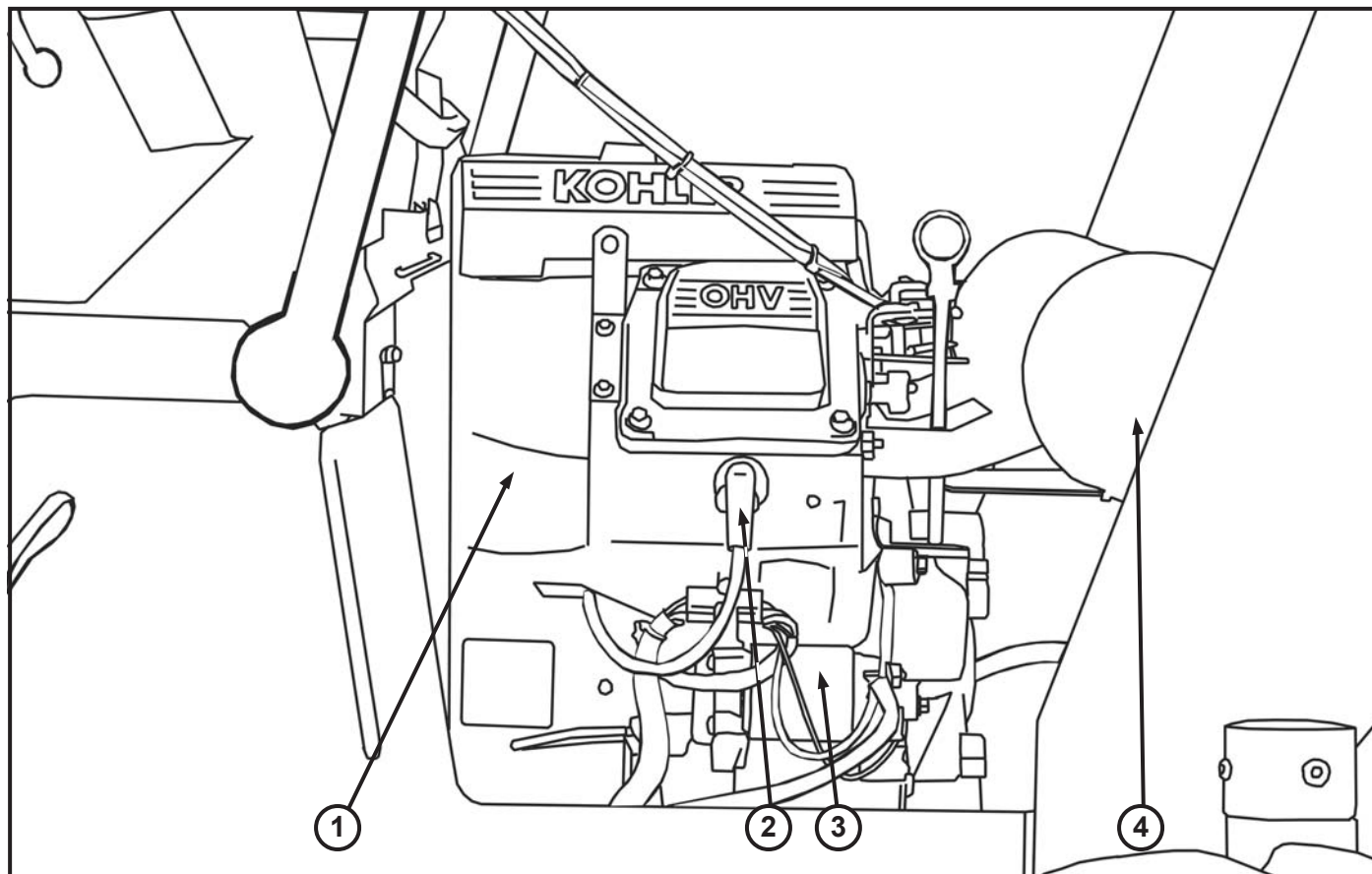
ITEM	PART NUMBER	DESCRIPTION	QTY.
1	40037	Assembly, Engine, Kubota, 25hp.	1
2	42071	Muffler, Kubota, 25hp.	1

Left Side of Diesel Engine Compartment - Kubota (Without Air Filter)



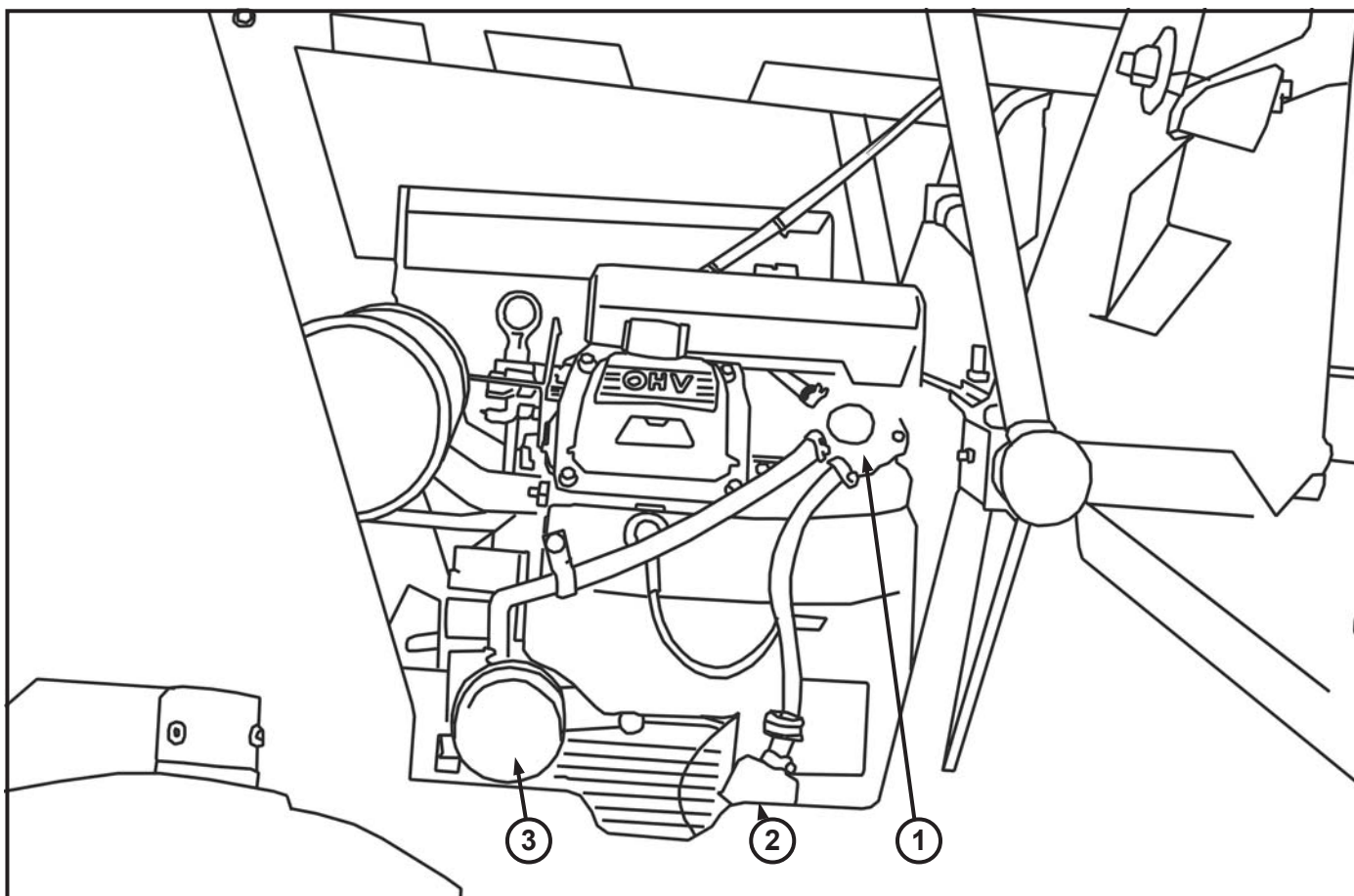
ITEM	PART NUMBER	DESCRIPTION	QTY.
1	15505	$\frac{5}{16}$ " in line (Not Shown)	1
2	21003	Filter, Oil, Engine, Kubota	1

View Right Side of Kohler Engine



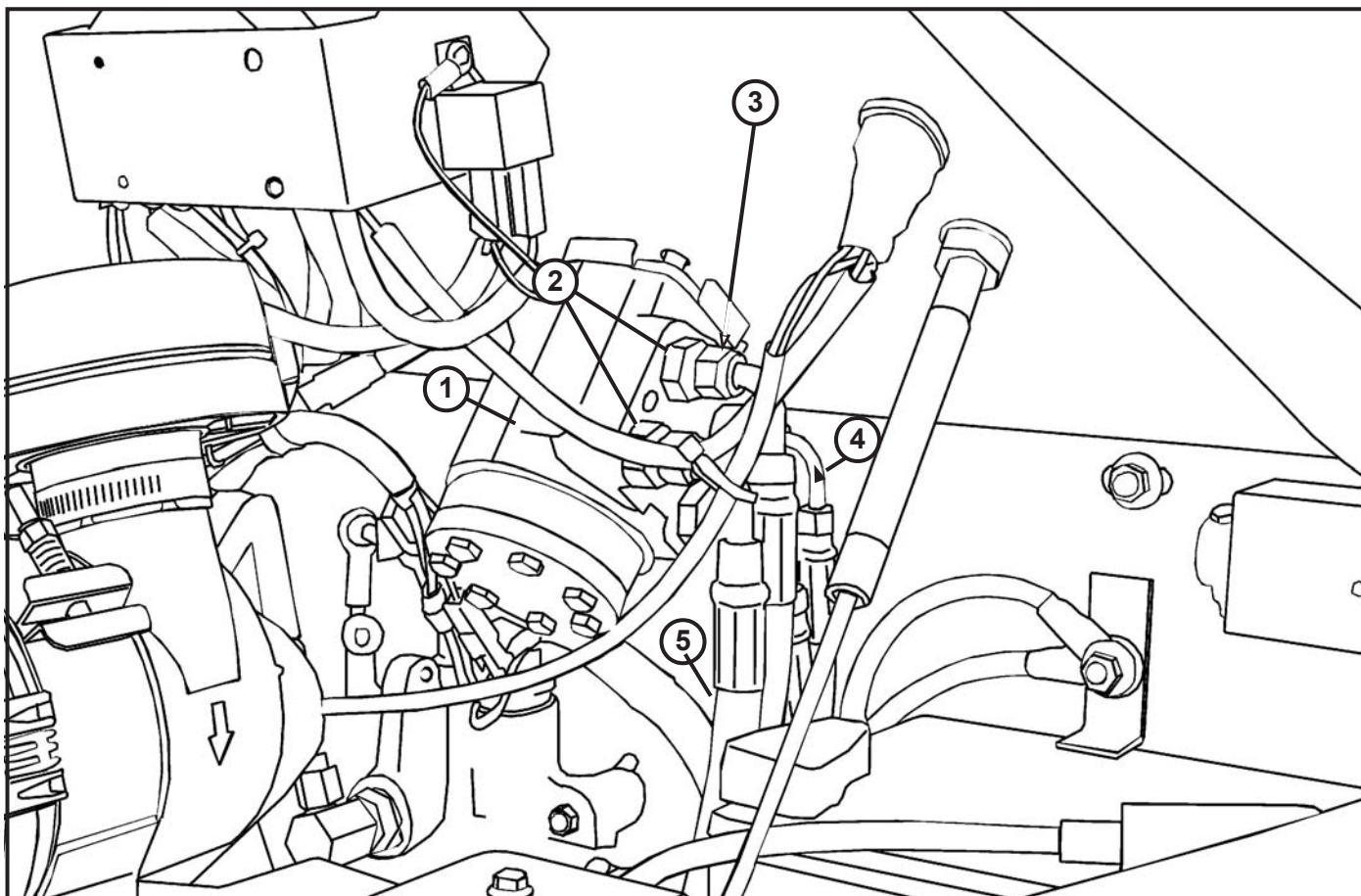
ITEM	PART NUMBER	DESCRIPTION	QTY.
1	40027	Assembly, Engine, Command 20hp. (V-Twin)	1
2	70075	Plug, Spark RC/12yc/71	1
3	43233	Starter, CH20	1
4	42023	Muffler, Center Outlet, Kohler Command 20hp.	1

Kohler Engine Leftside View



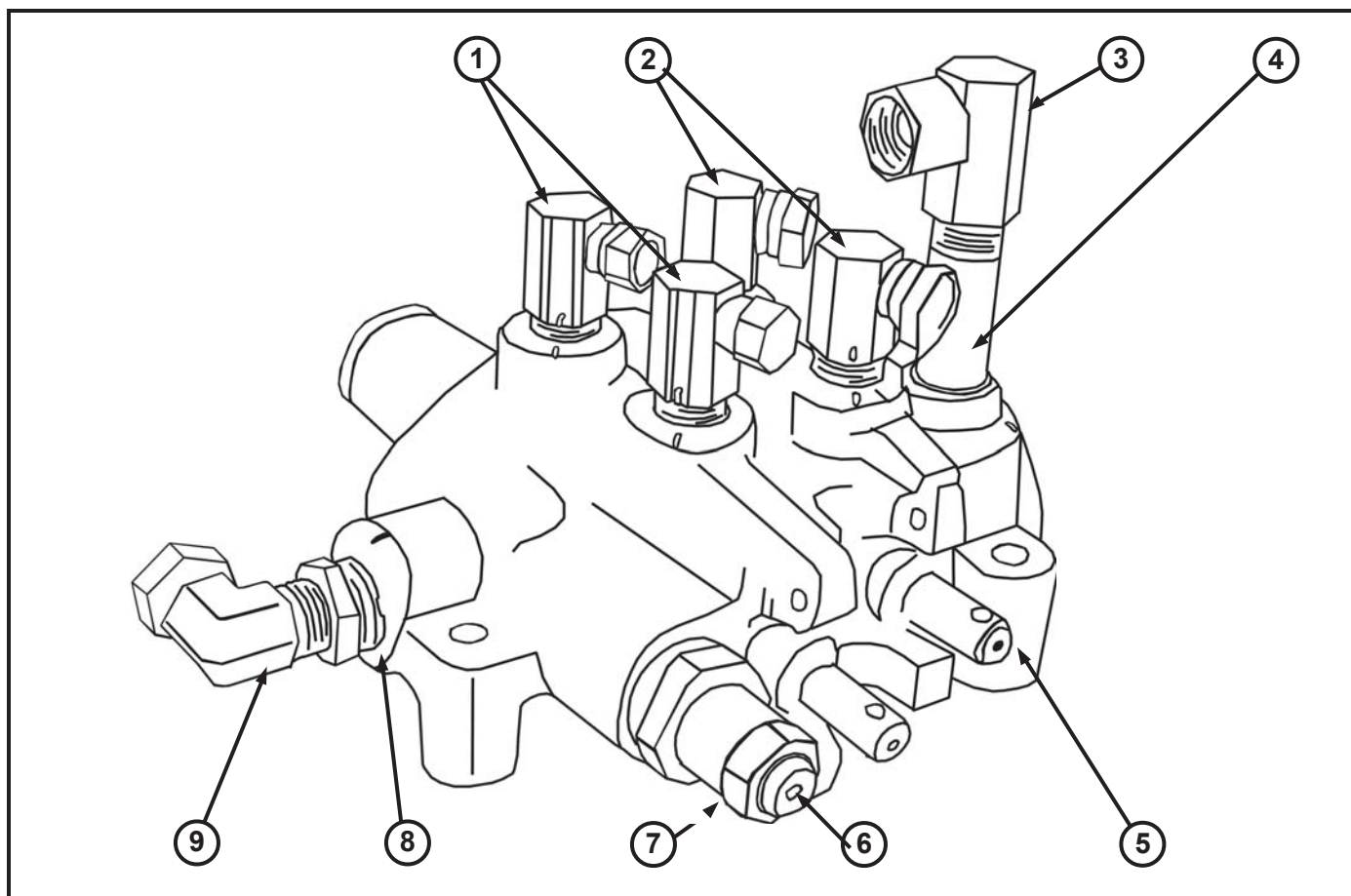
ITEM	PART NUMBER	DESCRIPTION	QTY.
1	40097	Pump, Fuel, Kohler Command 20 hp	1
2	15503	Filter, Gas Fuel, 1/4"	1
3	21014	Filter, Oil, Engine, CH 20	1

View of Power Steering Gear



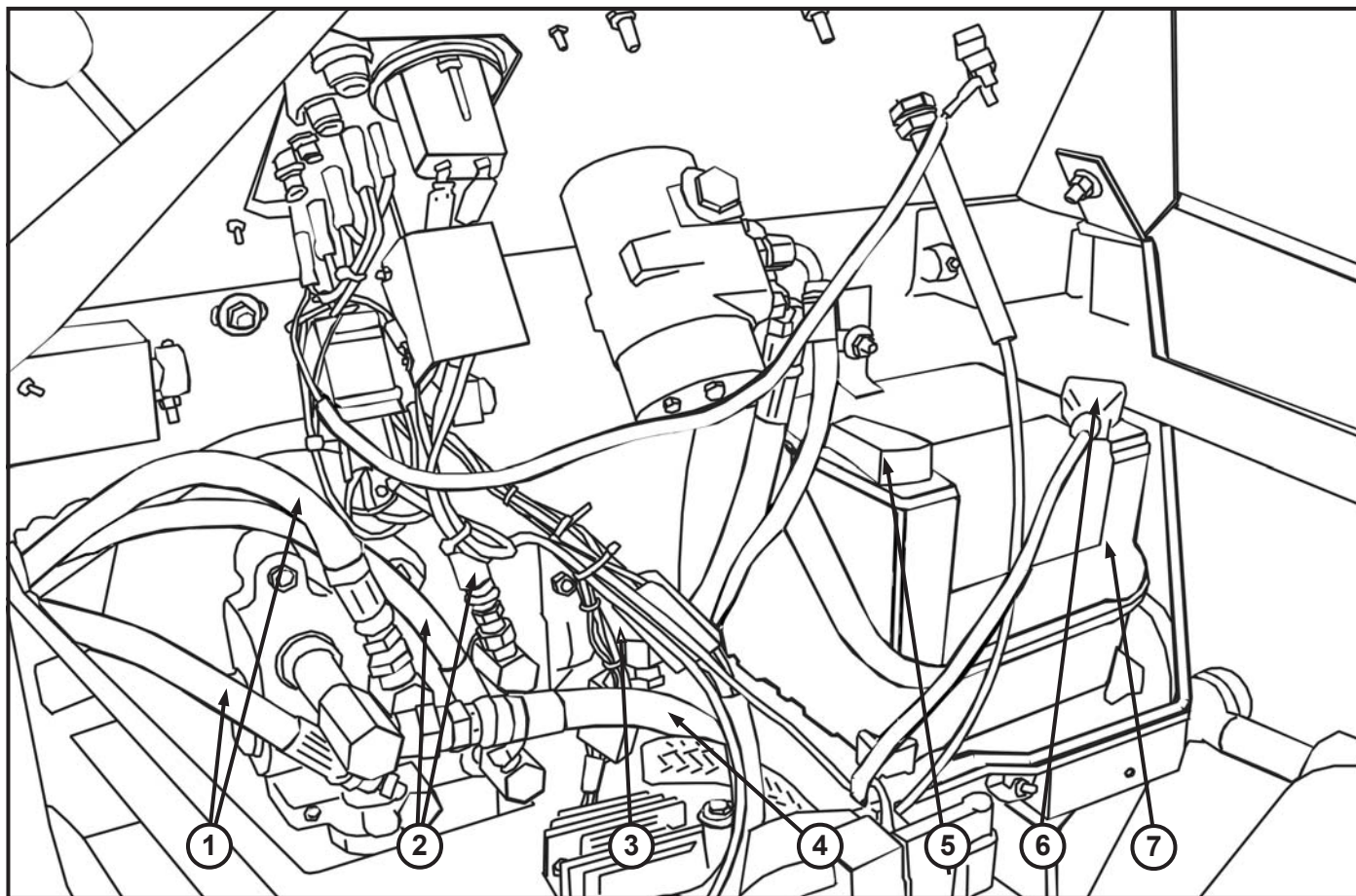
ITEM	PART NUMBER	DESCRIPTION	QTY.
1	15106	Gear, Power Steering, T5D/T6/T7/T9	1
2	20033	Fitting, #8 O-Ring x #6 JIC, T5D/T7/T9/Sweeper	2
3	20032	Fitting, #8 O-Ring x #4 JIC FM	2
4	80176	Hose, 1/4" X 65", 1/4 MP x #4 Short JIC 90	2
5	88658	Hose, 3/8" x 58", #6 Short JIC 90 x 3/8 MP	2

View of Front Valve w/Fittings



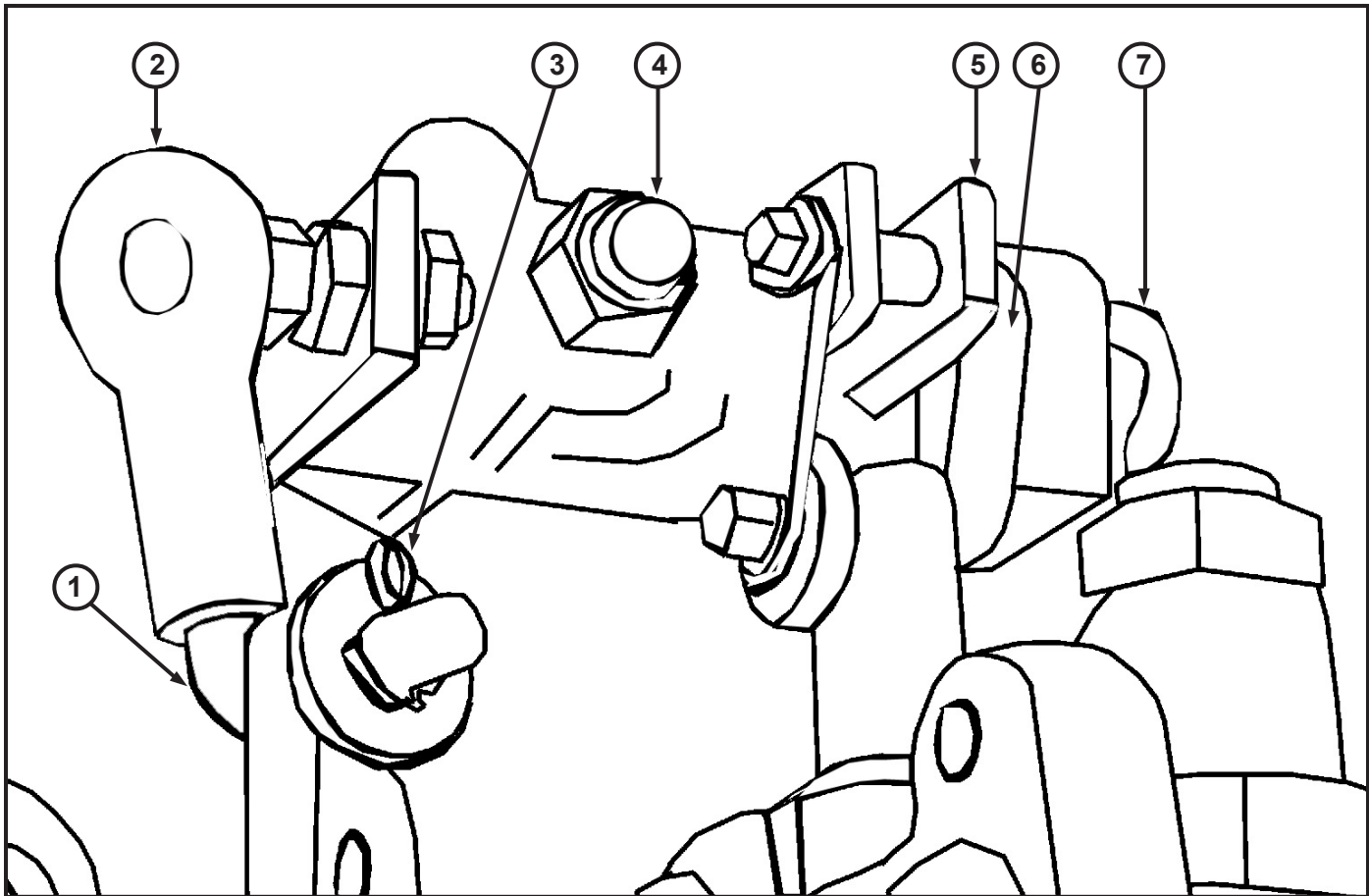
ITEM	PART NUMBER	DESCRIPTION	QTY.
1	22784	Fitting, 1/2"M 90 x 1/4"F, Swivel	2
2	20786	Fitting, 1/2"MP x 3/8"F 90, Swivel	2
3	22278	Fitting, 1/2"F 90 x 1/2"F, Swivel	1
4	20010	Fitting, Nipple, 1/2" x 3"	1
5	85015	Valve, Front	1
6	13083	Detent. Spring (Not Shown)	1
7	13943	Relief Valve, Loader (Not Shown)	1
8	20094	Fitting, Reducer, 3/4" x 1/2" FM	1
9	21978	Fitting, 1/2"M 90 x 1/2"F, Swivel	1

View of Loader Valve Assembly and Battery - Perkins



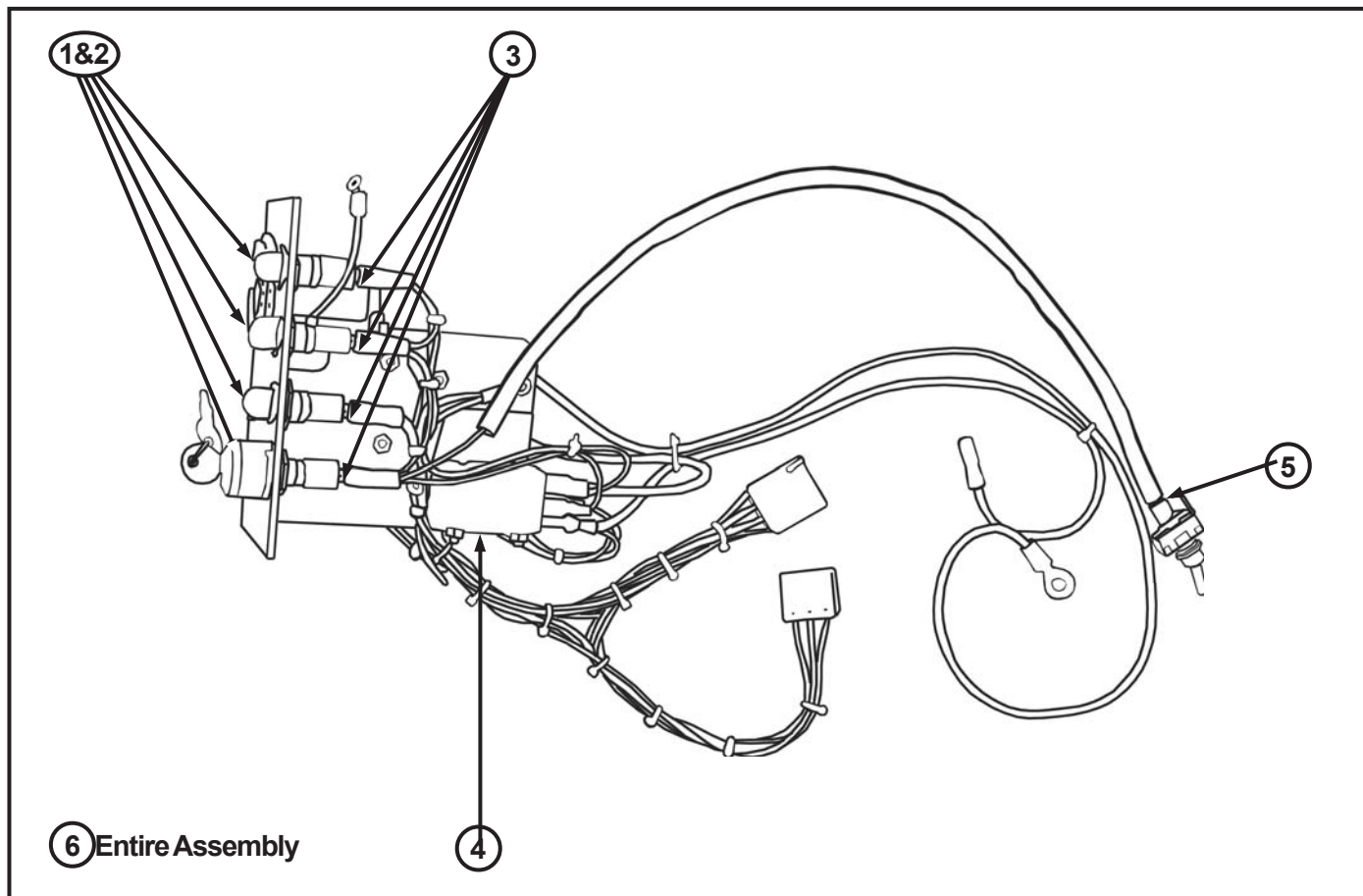
ITEM	PART NUMBER	DESCRIPTION	QTY.
1	80132	Hose, $\frac{3}{8}$ " x 70"	2
2	80131	Hose, $\frac{1}{4}$ " x 70"	2
3	88878	Hose, $\frac{1}{2}$ " x 78" (not shown)	1
4	88845	Hose, $\frac{1}{2}$ " x 45"	1
5	72028	Cable, Battery to Ground, Black, T5C/T5D/T6/T7/T9	1
6	72038	Cable, Battery to Starter, T5C/T5D/T6/T7/T9	1
7	77022	Battery, Group 26, All Tractors/SCR/Sweeper	1

View of Front Valve Linkage Assembly



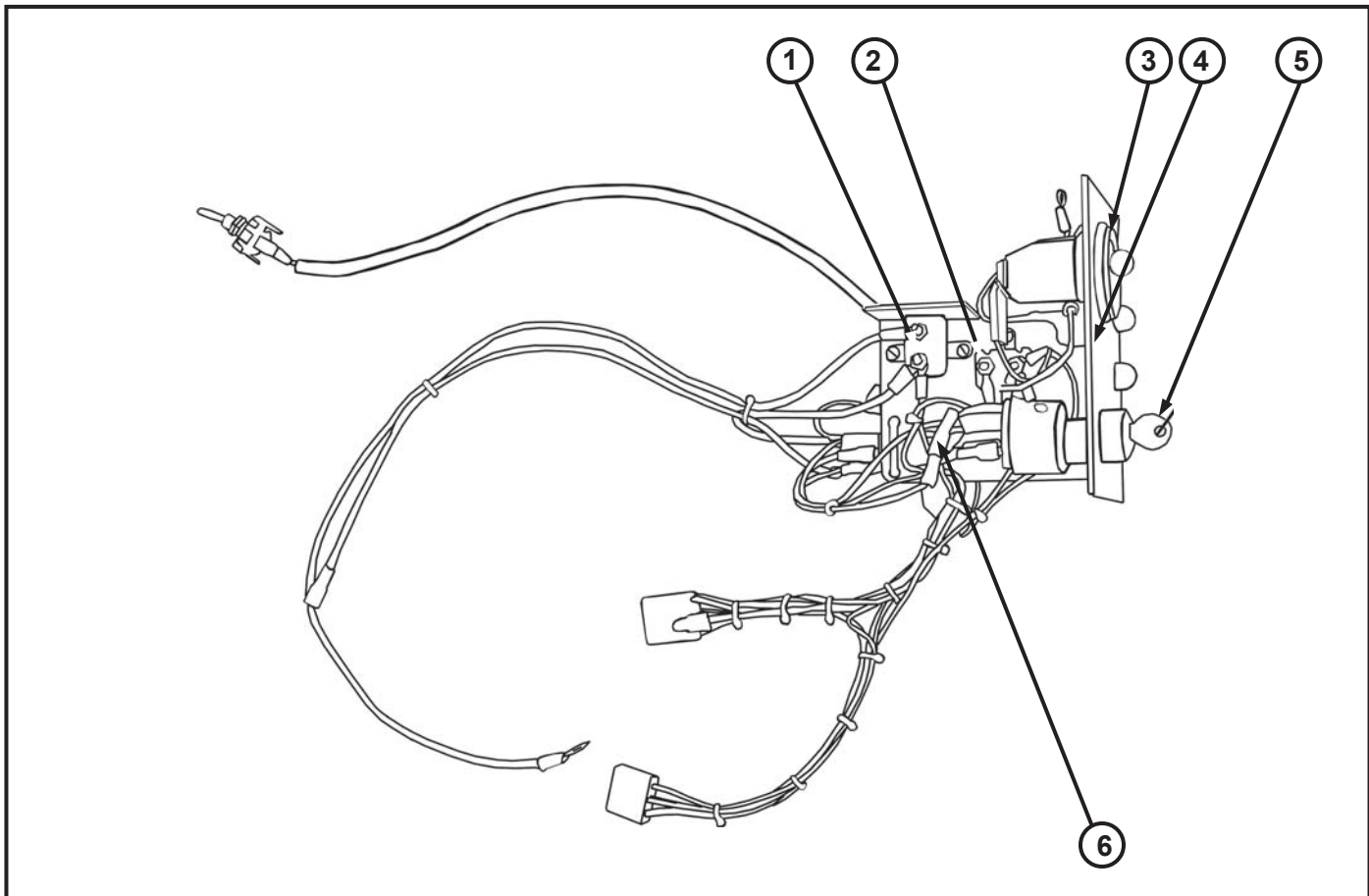
ITEM	PART NUMBER	DESCRIPTION	QTY.
1	13947	Link, "L", Front Valve, All Tractors	1
2	13965	Linkage, Ball-Socket, Wobblestick, All Tractors	1
3	13413	Pin, Cotter, $\frac{3}{32}$ " x $\frac{5}{8}$ ", Linkage, Valve, All Tractors	1
4	25500	Nut, $\frac{5}{16}$ " - 24 NF Jam	1
5	13944	Block, Pivot, Wobblestick, Front, T5C/T5D/T6/T7/T9	1
6	13411	Link, "U", Valve, All Tractors	1
7	13995	Bolt, Wobblestick Hinge, Front, All Tractors	1

View of Left Side of Diesel Dash Wiring Harness - Perkins



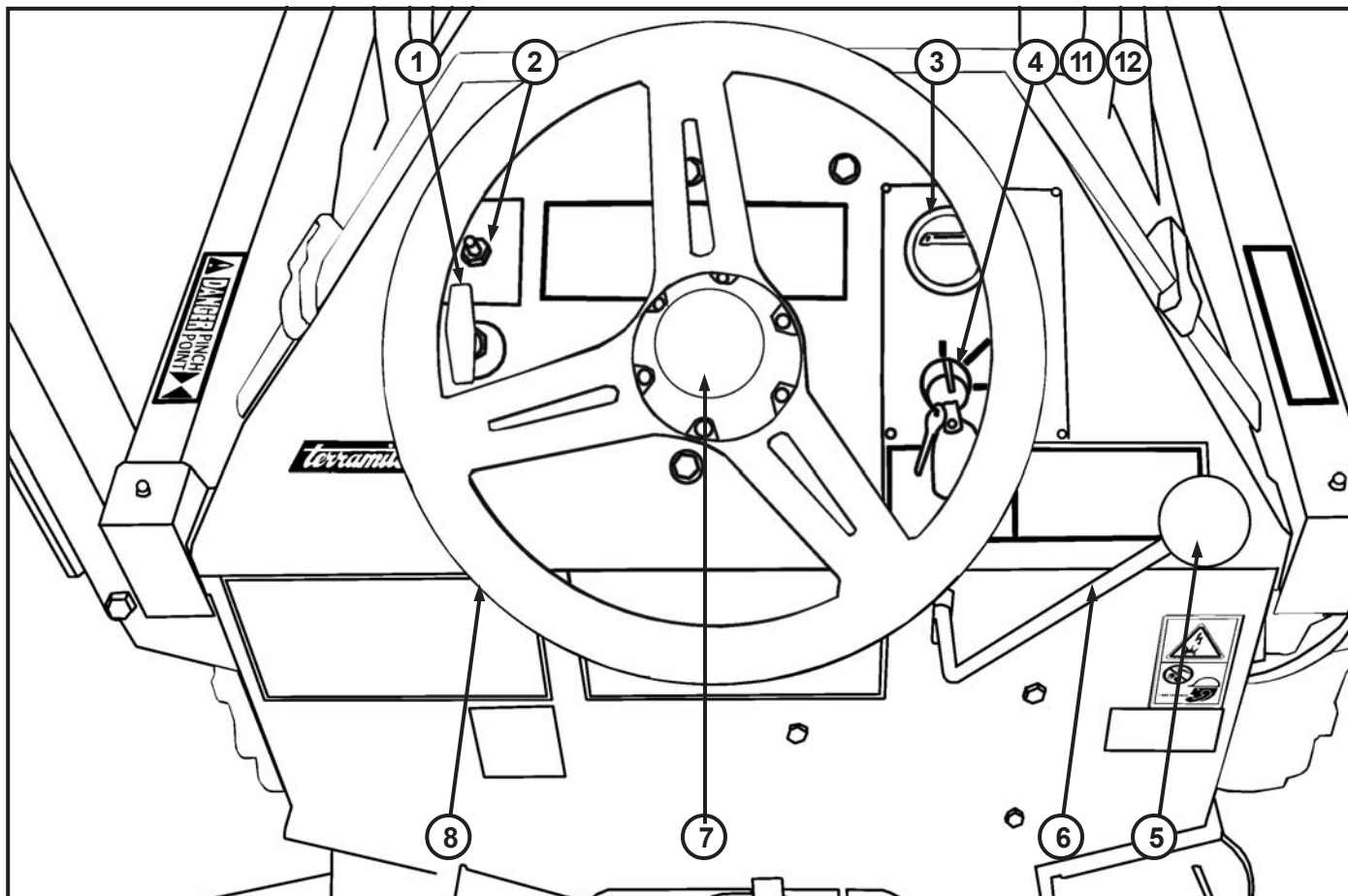
ITEM	PART NUMBER	DESCRIPTION	QTY.
1	74038	Lens, Warning Light, Red, Diesel, T5C/T5D/T6/T7/T9	4
2	74039	Bulb, Light, Warning	4
3	74037	Base, Warning Light	4
4	70038	Relay, Timer & Glow Plug, T7/T9	1
5	74000	Switch, Toggle, Double Throw, T5D/T6/T7/T9	1
6	72059	Harness, Wiring, Dash, Perkins, T5C/T5D/T7	1

View of Right Side of Diesel Dash Wiring Harness - Perkins



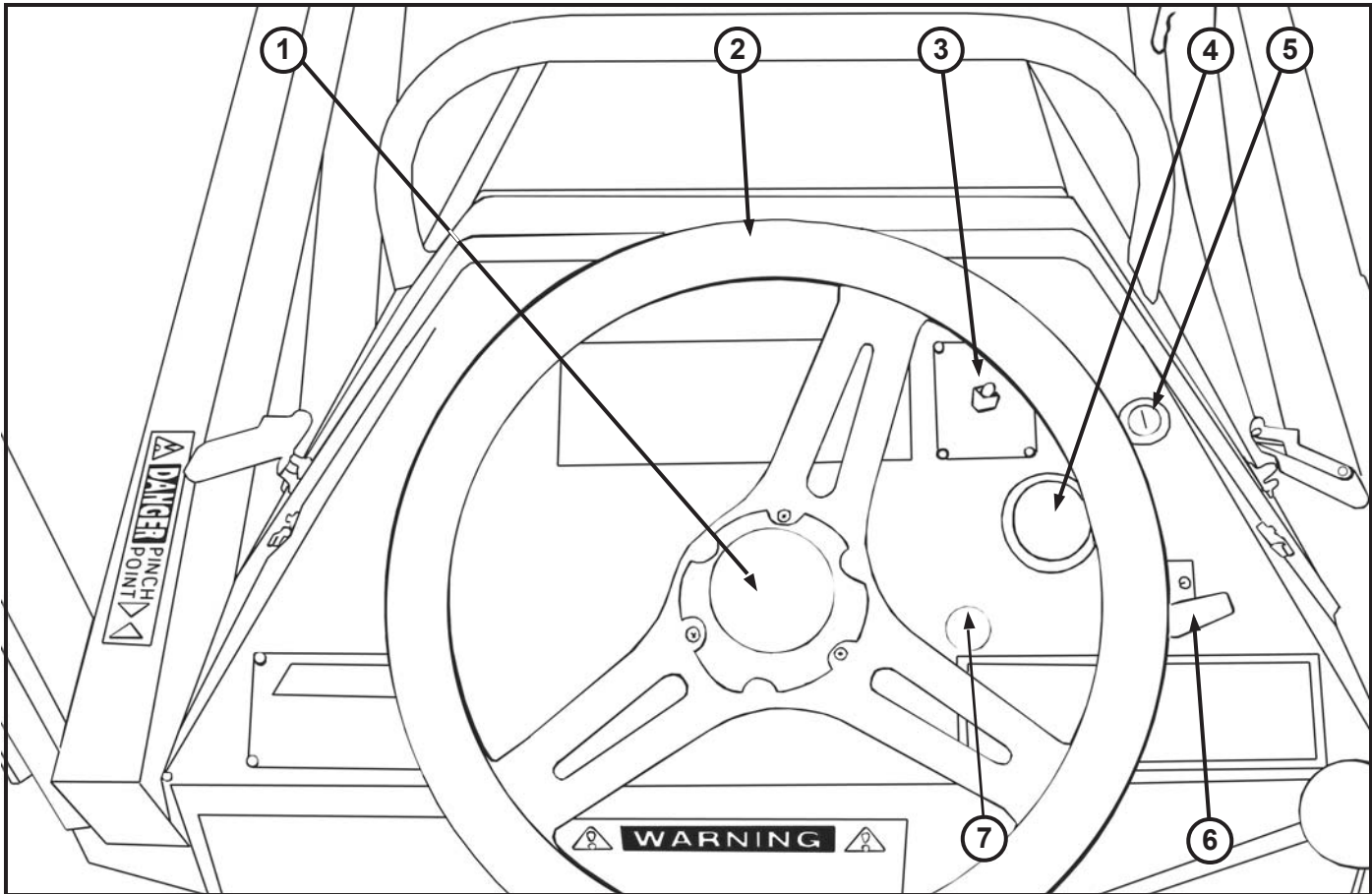
ITEM	PART NUMBER	DESCRIPTION	QTY.
1	70010	Breaker, Circuit, 50 Amp.	1
2	74036	Breaker, Circuit, 15 Amp., T7/T9	2
3	77080	Hourmeter, All Tractors	1
4	14120	Plate, Instrument Panel, Diesel, Perkins, T6/T7/T9	1
5	70335	Switch, Ignition, 3 Prong	1
6	72049	Diode Harness, Dual, T6/T7/T9	1

View of Operator Position Facing Dash (Diesel)



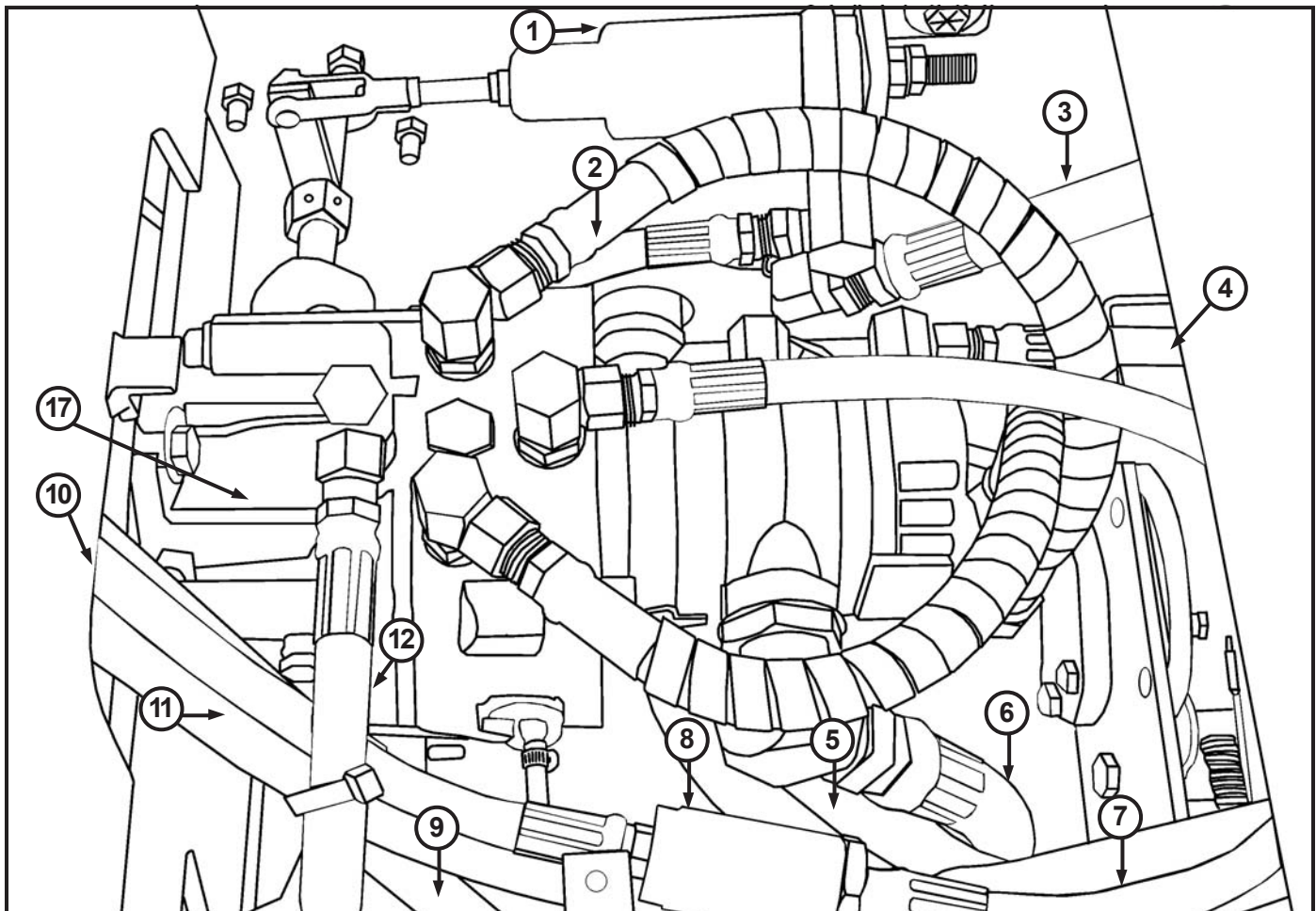
ITEM	PART NUMBER	DESCRIPTION	QTY.
1	13140	Cable, Throttle, Diesel, T7/T9	1
2	74000	Switch, Toggle, Double Throw, T5D/T6/T7/T9	1
3	77080	Hourmeter, All Tractors	1
4	70335	Switch, Ignition, T6/T9	1
	70111	Switch, Ignition, Perkins T6/T9 (after SN 229x0120)	
5	13942	Knob, Red, Wobblestick Handle, Valve, All Tractors	1
6	13072	Handle, Wobblestick, Front, All Tractors	1
9	13136	Cap, Center, Steering Wheel	1
10	13003	Wheel, Steering, T5C/T5D/T6/T7/T9	1
11	70111	Perkins, Key Switch (after SN#227x0107)	1
12	70040	Kubota, Key Switch	1

View of Operator Position Facing Dash (Gas)



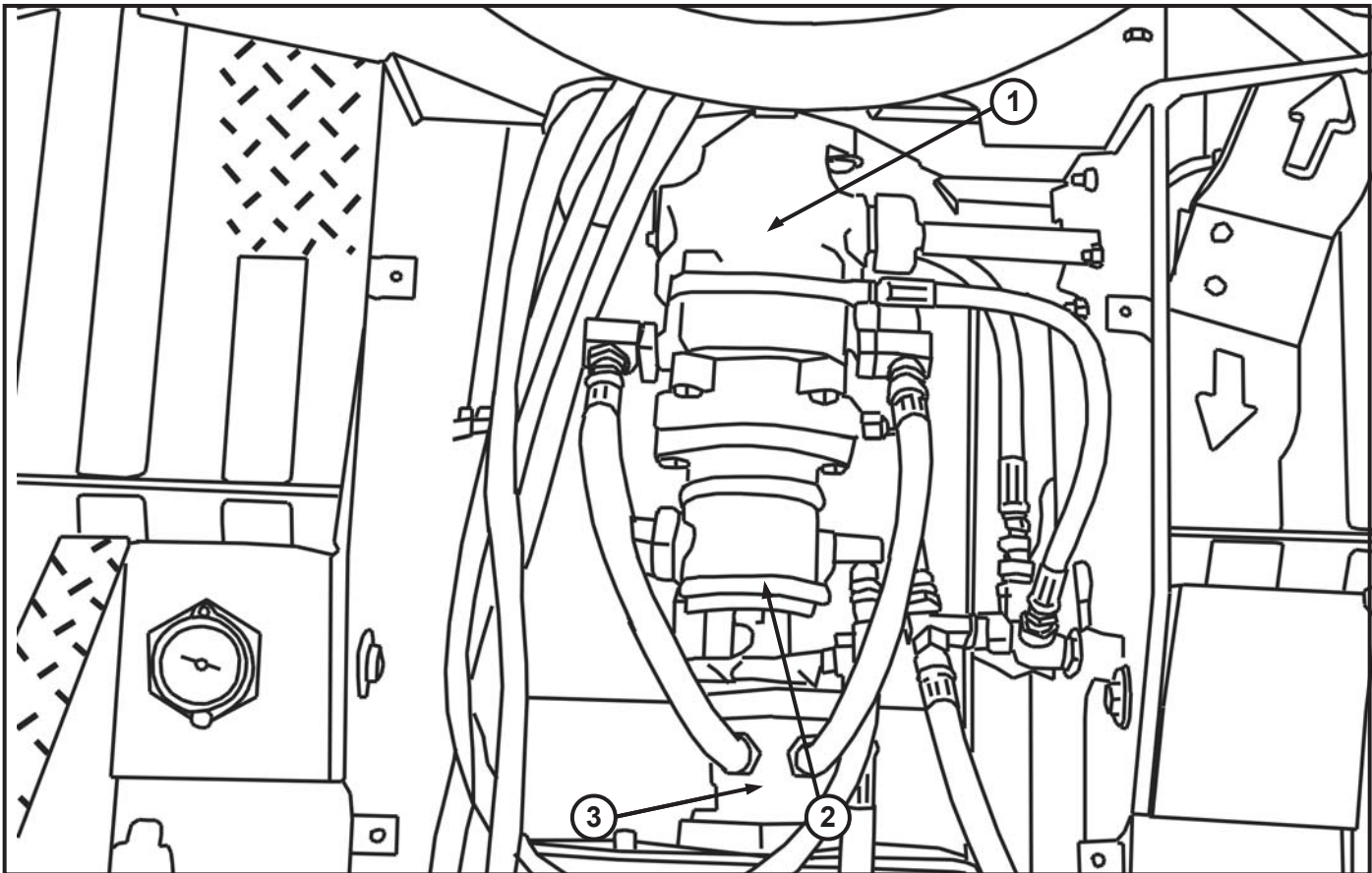
ITEM	PART NUMBER	DESCRIPTION	QTY.
1	13136	Cap, Center, Steering Wheel	1
2	13003	Wheel, Steering, T5C/T5D/T6/T7/T9	1
3	74000	Switch Toggle, Double Throw, T5D/T6/T7/T9	1
4	77080	Hourmeter, All Tractors	1
5		Serial Number Must Be Provided for Correct Keyswitch and Keys	3
6	13142	Cable, Throttle Command/Honda T5C/T5D/T7	1
7	14801	Cable, Choke	1

View of Transmission Assembly - Diesel



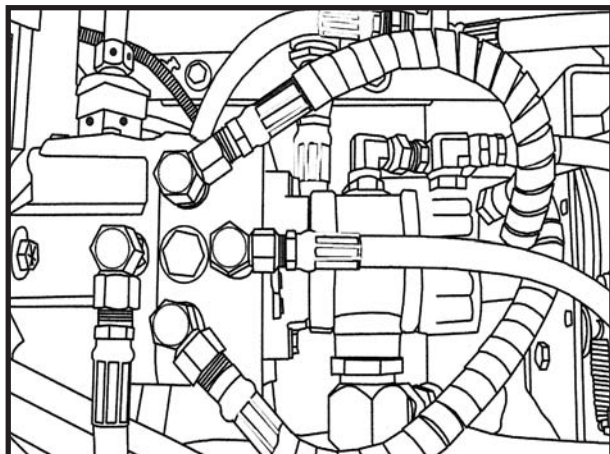
ITEM	PART NUMBER	DESCRIPTION	QTY.
1	11128	Spring Assembly	1
2	88820	Hose, 1/2" x 20"	2
3	88827	Hose, 3/4" x 27"	1
4	80201	Hose, 1/2" x 57"	1
5	66007	Gear Pump	1
6	81624	Hose, 1" x 24"	1
7	80250	Hose, 3/8" x 25"	1
8	21032	Filter, In Line Hydraulic	1
9	80233	Hose, 1/2" x 80"	1
10	80251	Hose, 3/8" x 25"	1
11	88659	Hose, 3/8" x 58"	1
12	88831	Hose, 1/2" x 31"	1
13	80232	Hose, 1/2" x 47" Oil Filter to Back Valve (Not Shown)	1
14	80229	Hose, 1/2" x 123" Oil Cooler to Oil Filter (Not Shown)	1
15	80099	Hose, 1/2" x 96" Front Valve to Oil Cooler (Not Shown)	1
16	80230	Hose, 1/4" x 65" Power Steering (Not Shown)	2
17	64200	Sauer - Danfoss Transmission	1

View of Transmission Assembly - Gas



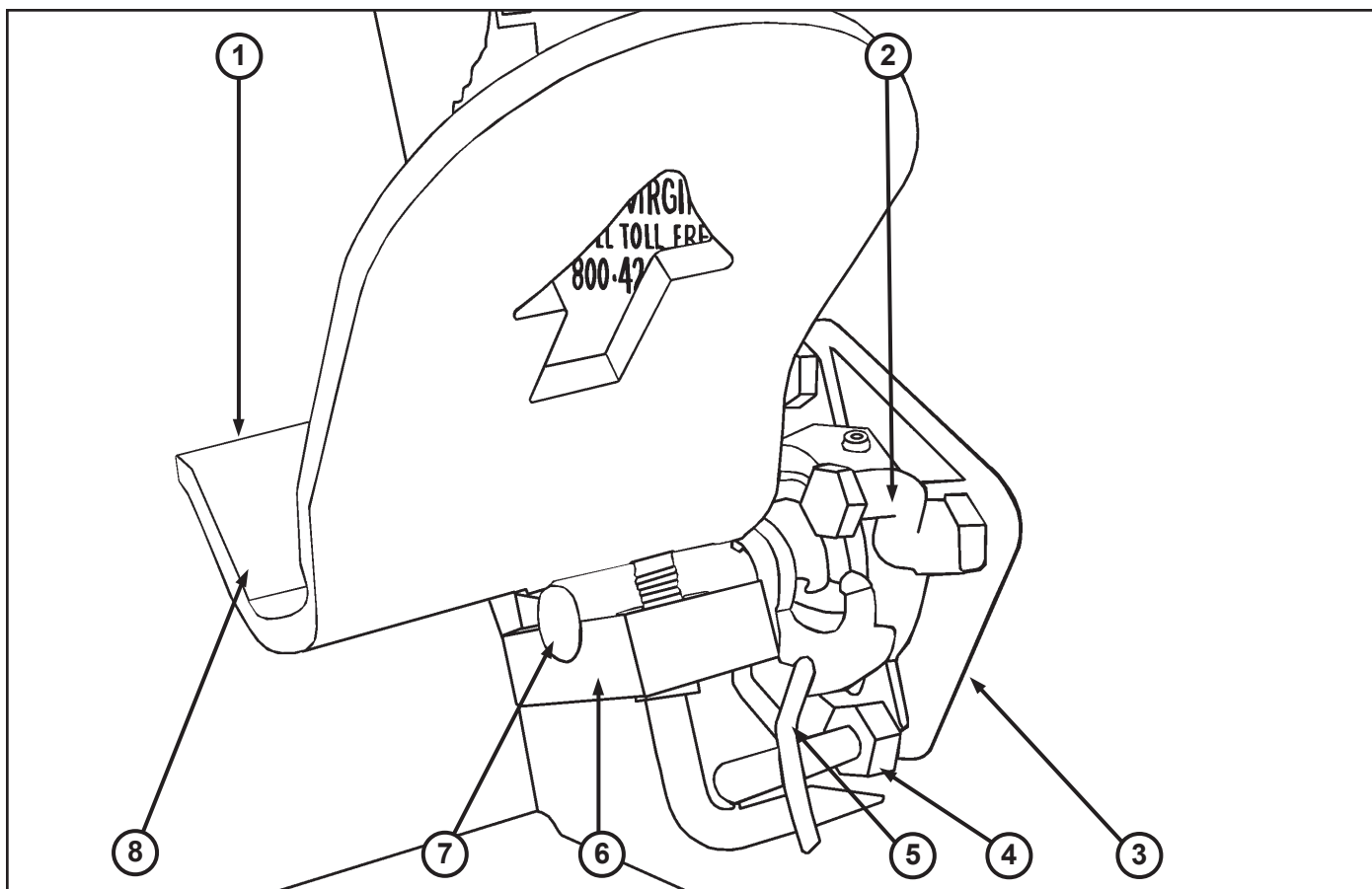
ITEM	PART NUMBER	DESCRIPTION	QTY.
1	64055	Transmission, Eaton, T5C/T5D/T7	1
2	66000	Pump, Double Gear, T5C/T5D/T7	1
3	64003	Motor, Torque, Parker/TRW, All Tractors	1

Sunstrand Transmission Assembly



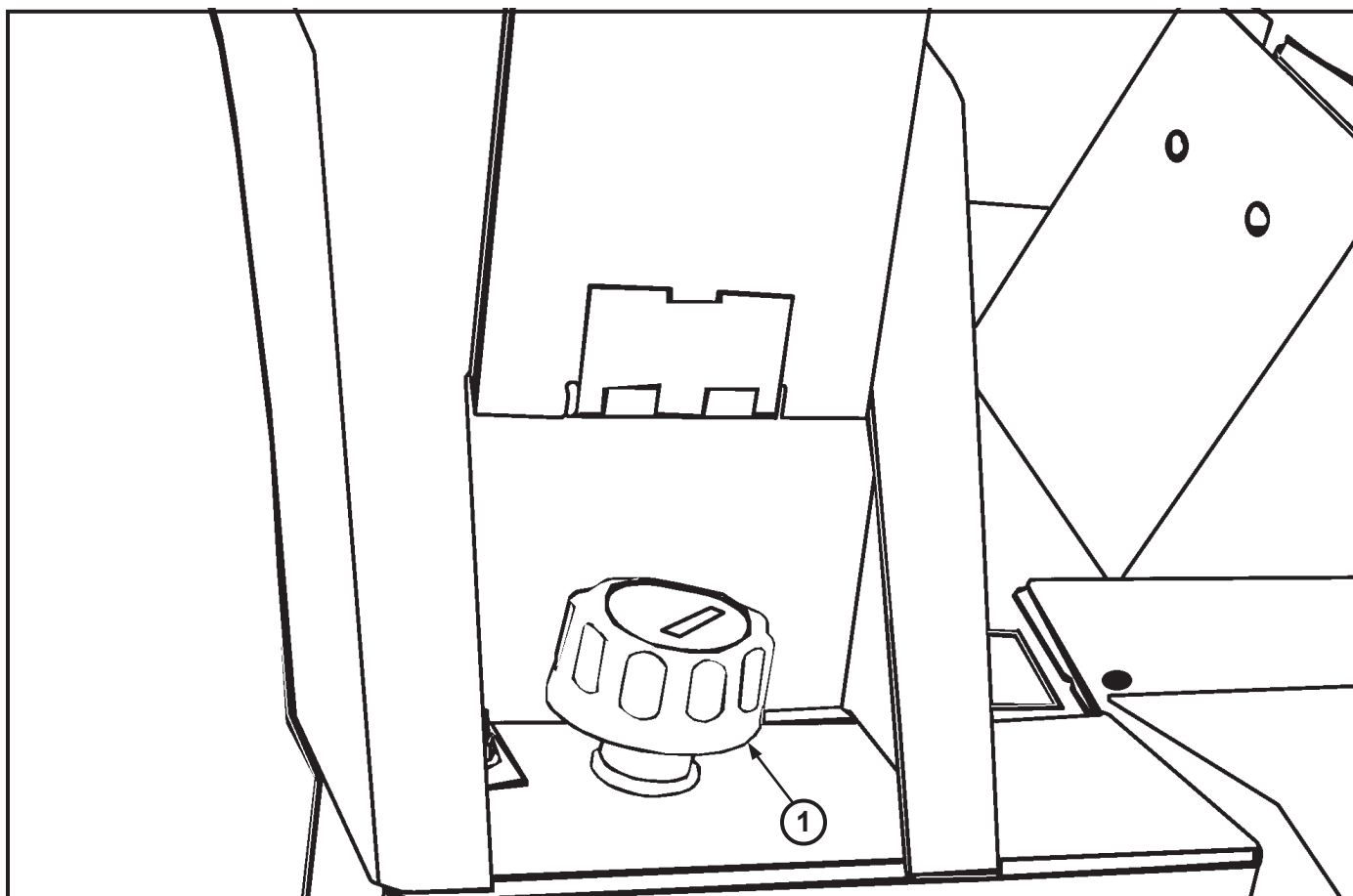
ITEM	PART NUMBER	DESCRIPTION	QTY.
1	64200	Transmission	1
2	88820	Hose 1/2 x 20"	2
3	66000	Pump, Double Gear	1

View from Right of Foot Pedal Control



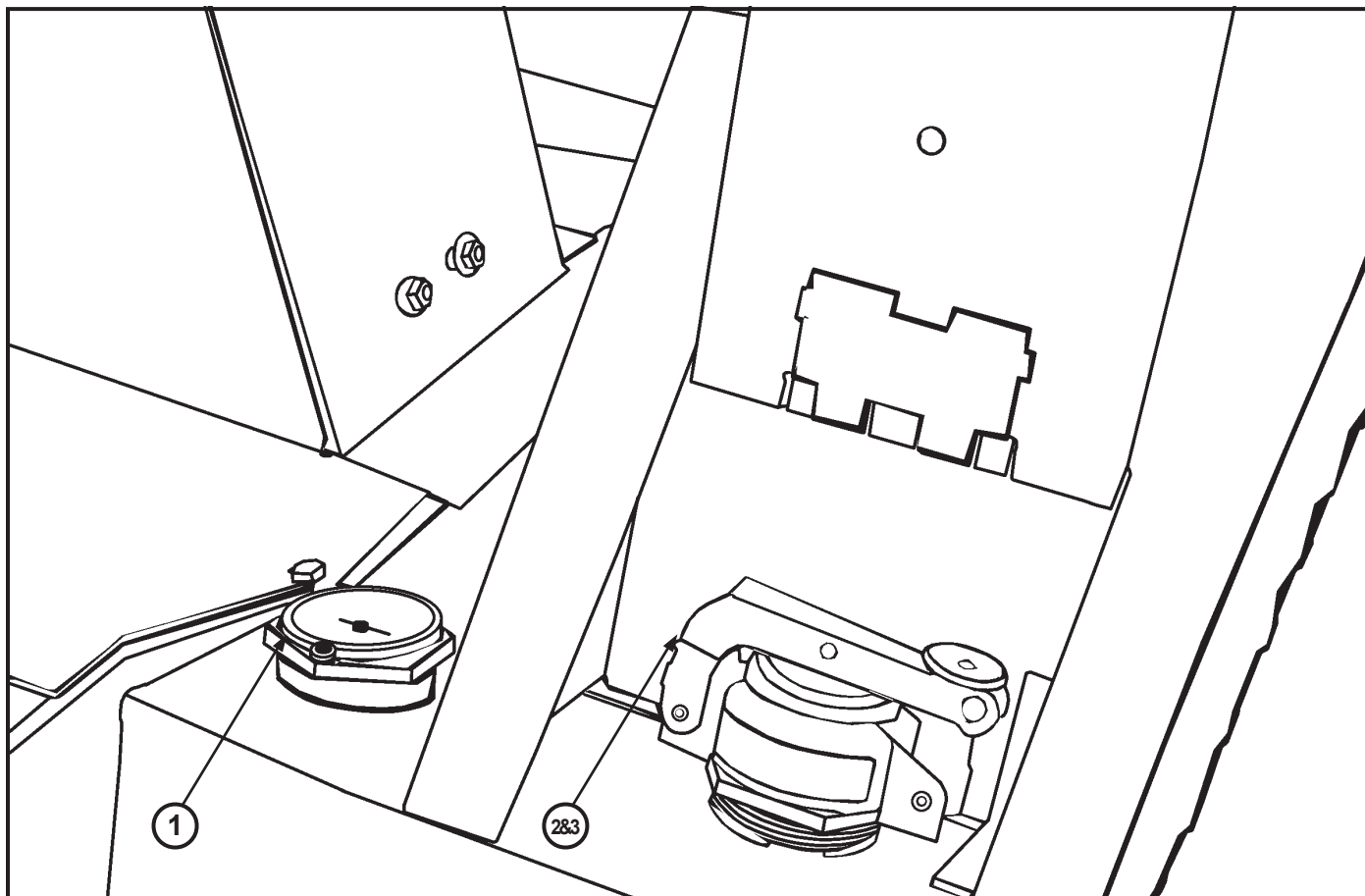
ITEM	PART NUMBER	DESCRIPTION	QTY.
1	11600	Pedal, Foot	1
2	11628	Bolt, Pedal Stop, T5C/T5D/T7	2
3	11627	Block, Pillow, Bearing, T5C/T5D/T6/T7/T9	1
4	11629	Bolt, Spring Centering, T5C/T5D/T7	1
5	13029	Spring, Pedal, Hairpin, T5C/T5D/T6/T7/T9	1
6	11610	Block, Pedal, T5C/T5D/T6/T7/T9	1
7	11620	Shaft, Pedal, T5C/T5D/T6/T7/T9	1
8	16177	Tape, Pedal, Anti-Skid	1

View from Right Side of Hydraulic Tank



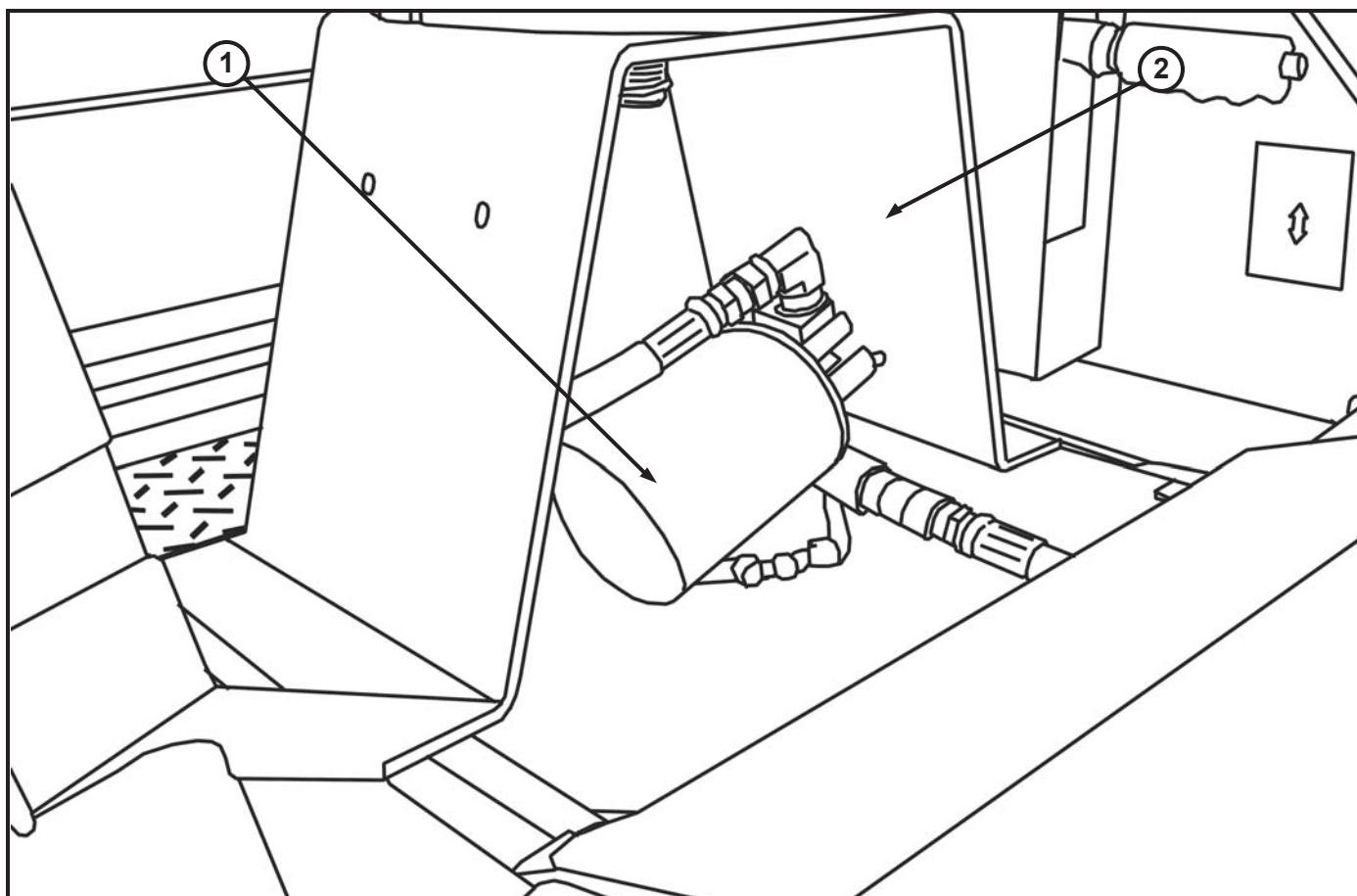
ITEM	PART NUMBER	DESCRIPTION	QTY.
1	22204	Cap, Hydraulic, w Dipstick & Breather, T5C/T5D/T6/T7/T9 2WD	1

View from Left Side of Fuel Tank



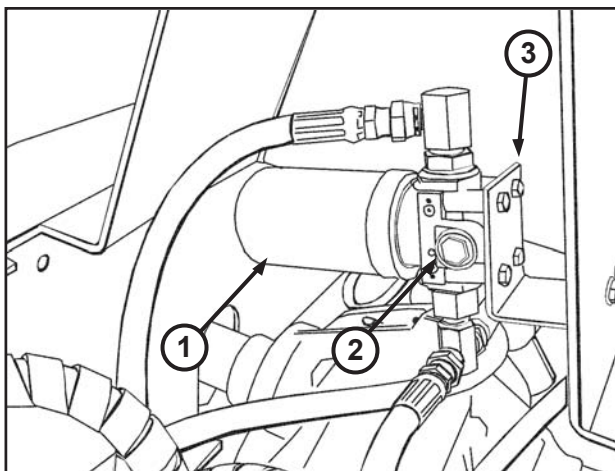
ITEM	PART NUMBER	DESCRIPTION	QTY.
1	11299	Gauge, Fuel, T5D/T6/T7/T9	1
2	15005	Cap, Safety, Green, (Diesel) T5C/T5D/T6/T7/T9	1
3	11282	Cap, Safety, Red, (Gas), T5B/T5C/T5D/T7/Screed	1

View of Hydraulic Filter Assembly



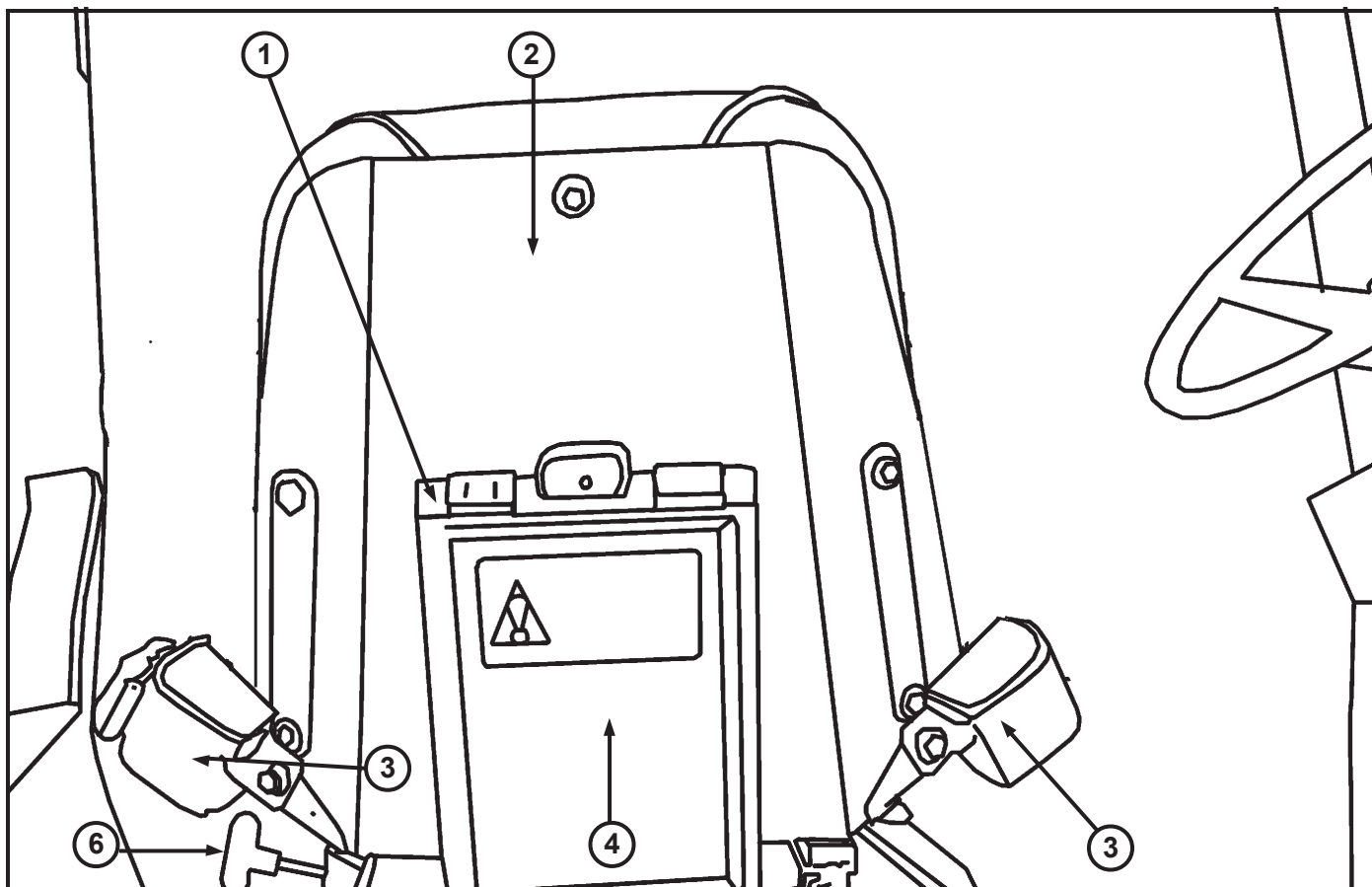
ITEM	PART NUMBER	DESCRIPTION	QTY.
1	21030	Filter, Hydraulic, Spin On	1
2	21025	Assembly, Filter, Hydraulic	1

View of Hydraulic Filter



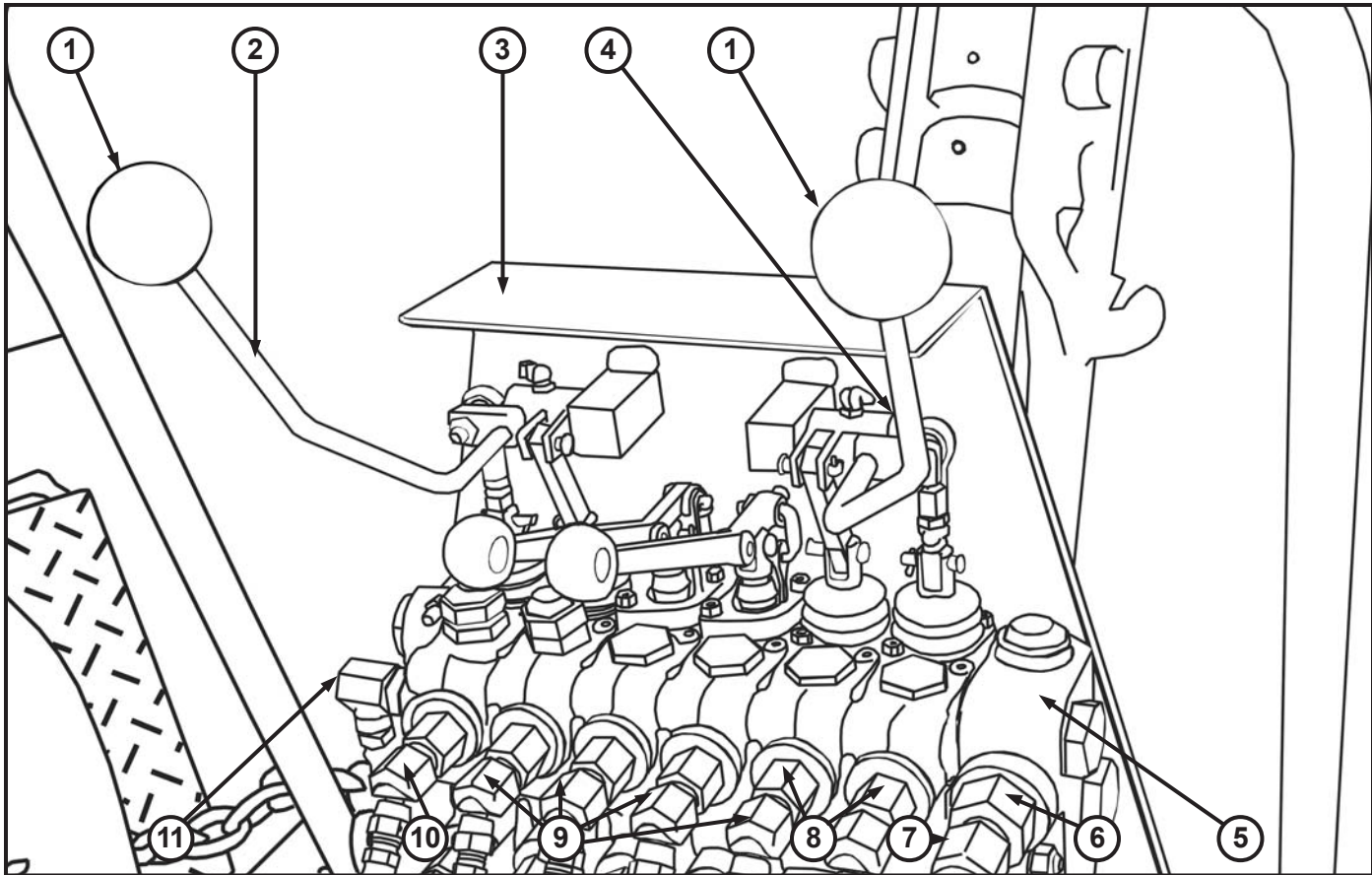
ITEM	PART NUMBER	DESCRIPTION	QTY.
1	21029	Filter Head	1
2	21030	Filter Hydraulic	1
3	10357	Bracket Hydraulic Filter	1

View from Back of Seat



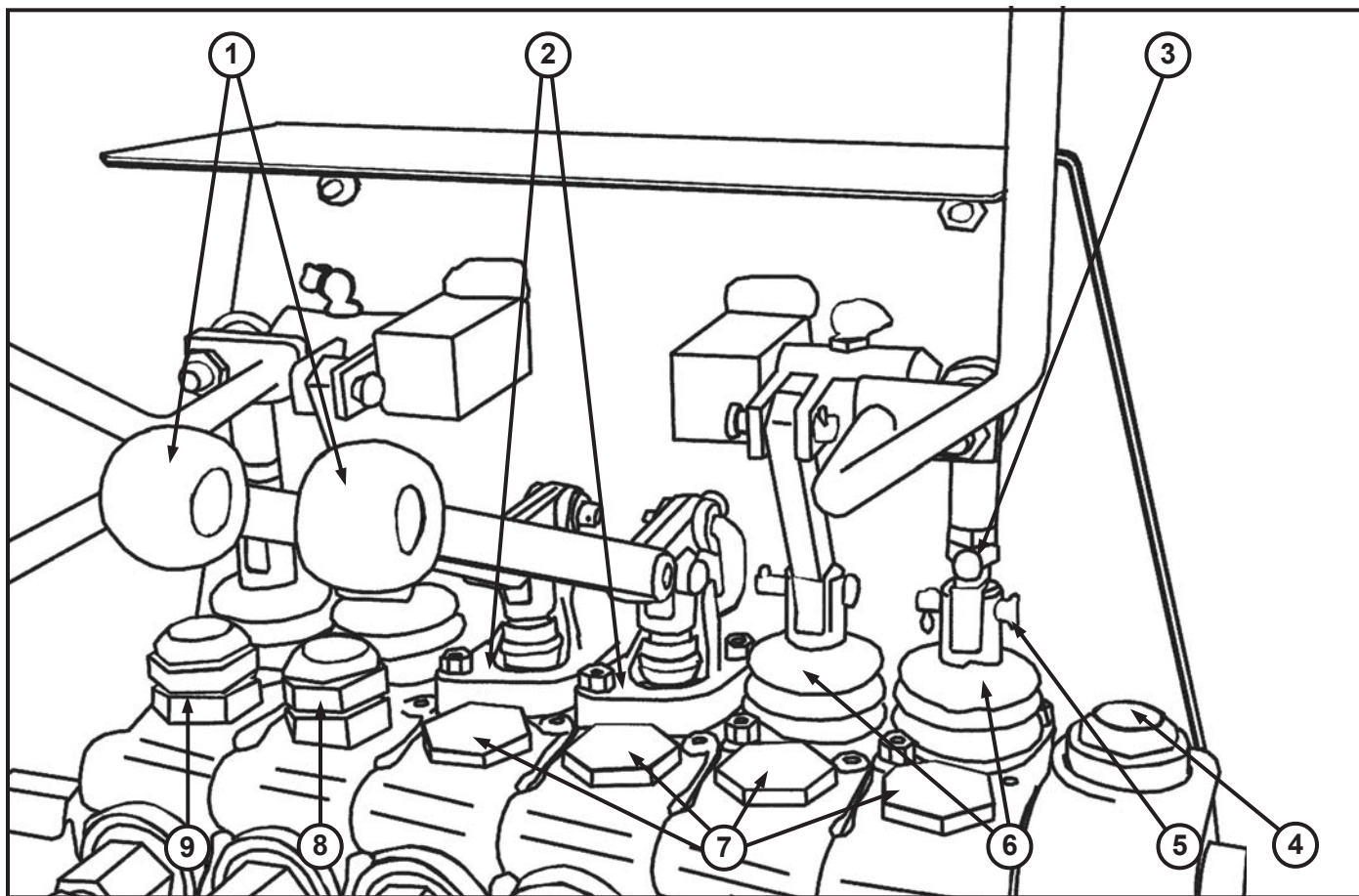
ITEM	PART NUMBER	DESCRIPTION	QTY.
1	11911	Box, Manual, Operator's Seat	1
2	14260	Assembly, Seat, w/Swivel Disc w/Arm, T5D/T6/T7/T9	1
3	11903	Belt, Seat, T5C/T5D/T6/T7/T9/Sweeper	1
4	95086	Manual, Operator's, All Tractors (Not Shown)	1
5	14011	Knob, Seat Shaft	1

View from Operator Position of Rear Valve (Straight Boom - Non 180 Only)



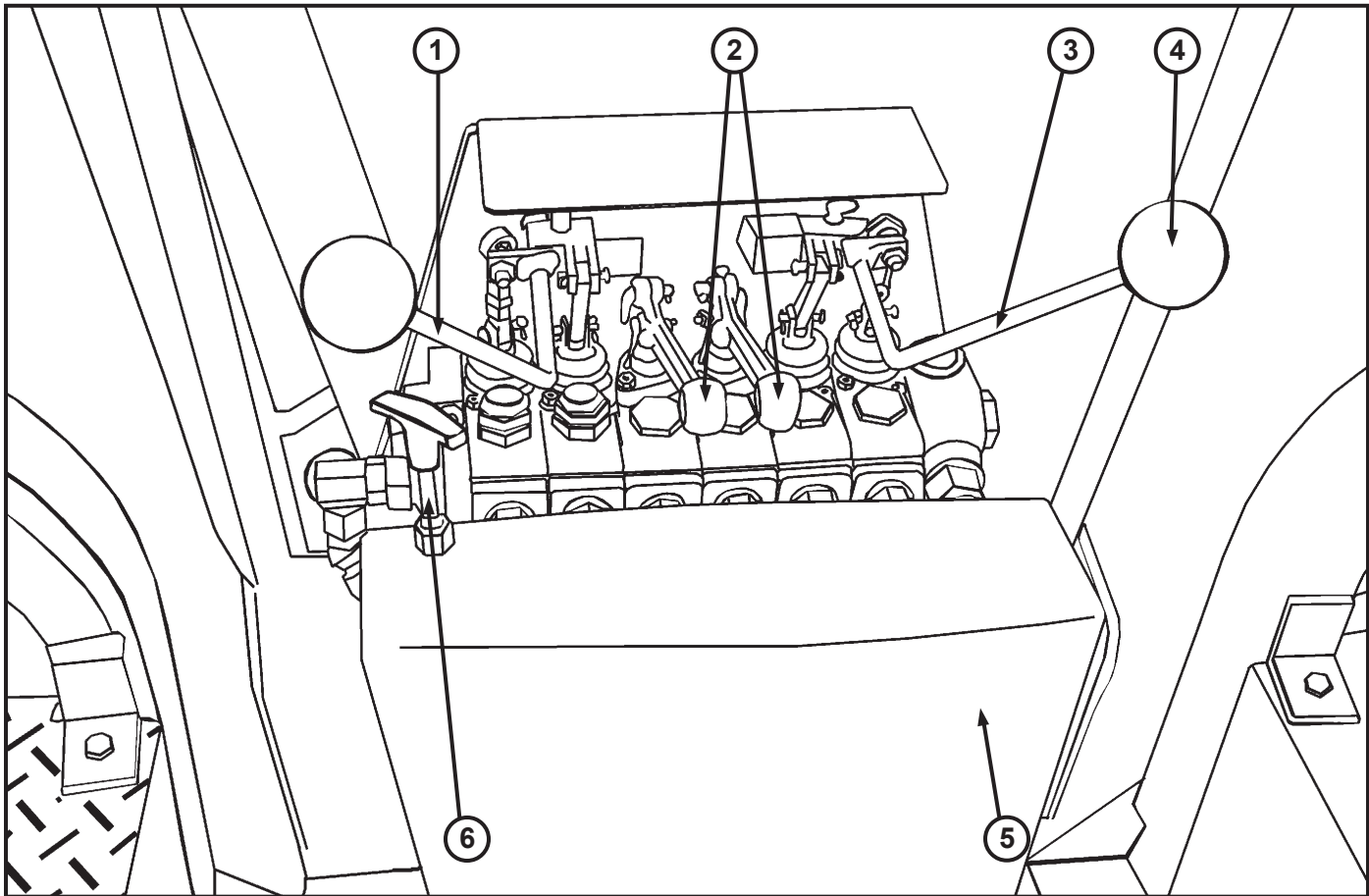
ITEM	PART NUMBER	DESCRIPTION	QTY.
1	13942	Knob, Red, Wobblestick Handle, Valve, T5C/T5D/T6/T7/T9	2
2	13073	Handle, Wobblestick, Left Rear	2
3	14050	Decal, Wobblestick and Operator Hazard	1
4	13123	Handle, Wobblestick, Right Rear	1
5	13400	Valve, Rear	1
6	25128	Fitting, #12 O'ring x 1/2" FPT	2
7	21788	Fitting, 1/2" M x 1/2" FM 45, Swivel	2
8	25286	Fitting, 3/4" MB x 3/8" F, Bushing HD	12
9	21764	Fitting, 3/8" M x 1/4" F 45, Swivel	9
10	21765	Fitting, 3/8" MP x 1/4" FP 45, Restrictor	3
11	25718	Fitting, 7/8" MP 90 x 1/2", Swivel	1

View from Operator Position of Rear Valve (Straight Boom - Non 180 Only)



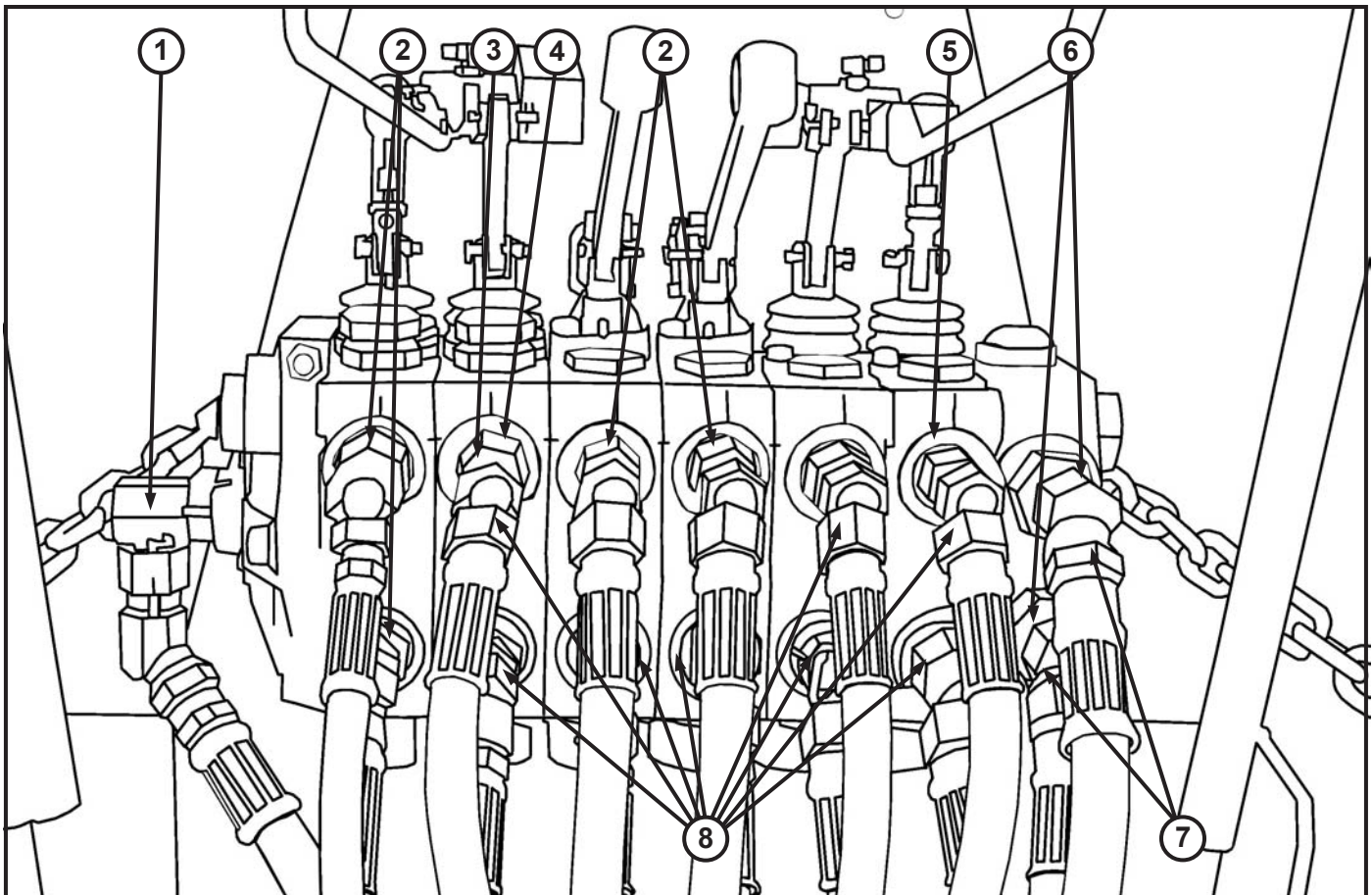
ITEM	PART NUMBER	DESCRIPTION	QTY.
1	13431	Handle, Outrigger, T5C/T5D/T6/T7/T9	2
2	13410	Bracket, Aluminum, Rear Valve Handle	2
3	16410	Wobblestick Eye Bolt	2
4	13429	Valve, Main Relief	1
5	13418	Pin, Pivot, Valve Hose Link, T5C/T5D/T7	8
6	13423	Valve, Boot Spool Protector	4
7	13401	Kit, Load Check	9
8	13456	Relief, Port 2600#	1
9	13454	Relief, Port 2000#	2

View of Operator Position at Rear Valve (Prior to 1-1-01 Non 180 Only)



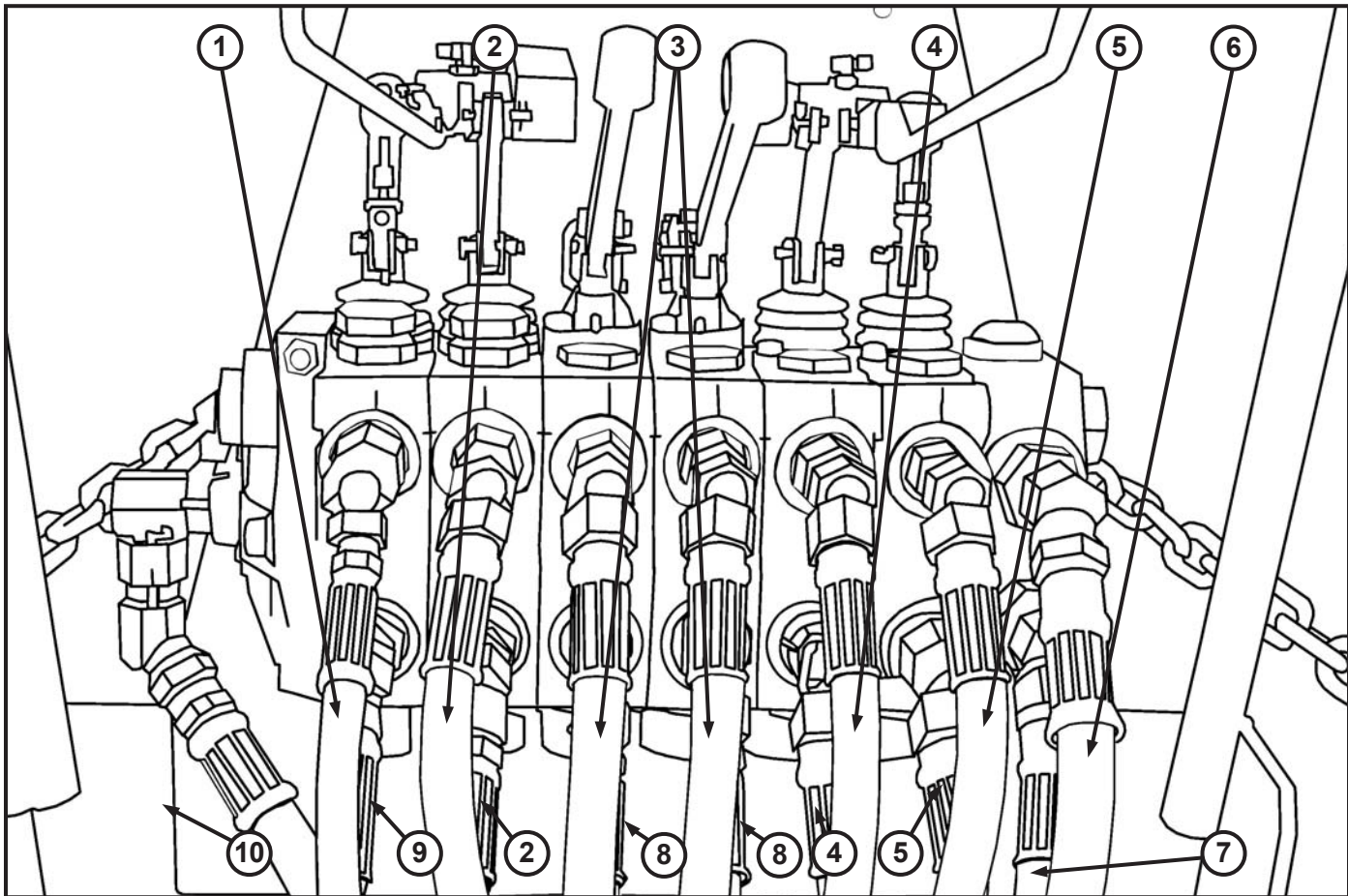
ITEM	PART NUMBER	DESCRIPTION	QTY.
1	13073	Handle, Wobblestick, Left Rear, T5C/T5D/T6/T7/T9	1
2	13431	Handle, Outrigger, T5C/T5D/T6/T7/T9	2
3	13123	Handle, Wobblestick, Right Rear, T5C/T5D/T6/T7/T9	1
4	13942	Knob, Red Wobblestick Handle, Valve, T5C/T5D/T6/T7/T9	2
5	15102	Cover, Rear Valve (Boom Latch), T5C/T7/T9	1
6	13135	Cable, Boom Latch Control, T-Handle, T7/T9	1
7	22222	Spring For Boom Latch	1
8	22023	Washers For Latch	1

View from Operator Position of Rear Valve Curved Boom Prior to 1-1-01 Non 180 Only



ITEM	PART NUMBER	DESCRIPTION	QTY.
1	25718	Fitting, $\frac{7}{8}$ " MP 90° x $\frac{1}{2}$ ", Swivel	2
2	21765	Fitting, $\frac{3}{8}$ " MP x $\frac{1}{4}$ " FP 45° - Restrictor	2
3	13048	Restrictor, w/spring, Rear Valve	1
4	85031	Checks, Anti-Cavitation, (Not Shown)	2
5	25286	Fitting, $\frac{3}{4}$ " MB x $\frac{3}{8}$ " F, Bushing HD	12
6	20065	Fitting, #12 O'Ring x $\frac{1}{2}$ " FPT	2
7	21788	Fitting, $\frac{1}{2}$ " M x $\frac{1}{2}$ " FM 45, Swivel	2
8	21764	Fitting, $\frac{3}{8}$ " M x $\frac{1}{4}$ " F 45, Swivel	8

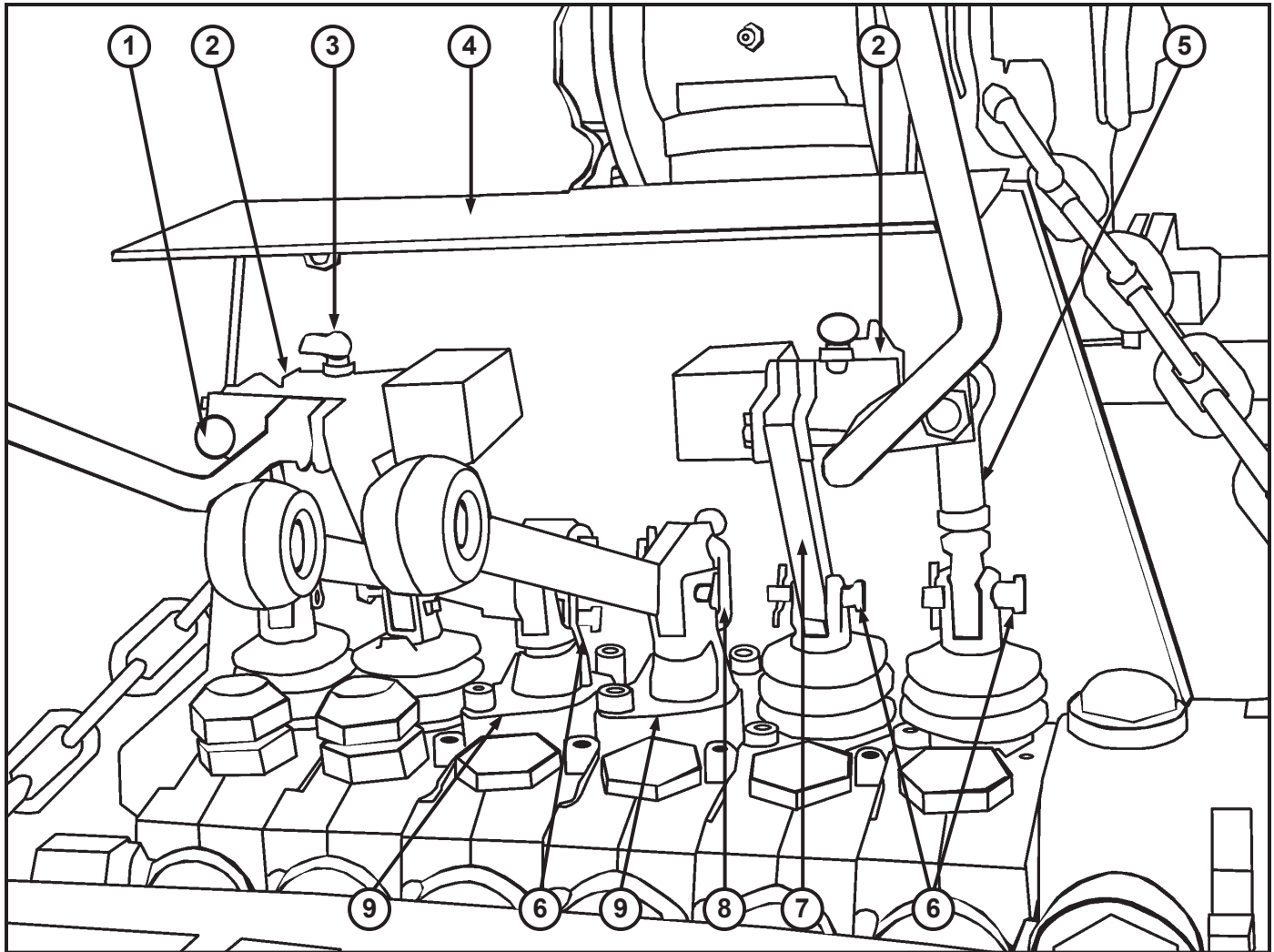
View from Operator Position of Backhoe Valve

Curved Boom Prior to 1-1-01
Non 180 Only

ITEM	PART NUMBER	DESCRIPTION	QTY.
1	88425	Hose, 1/4" x 25"	1
2	80061	Hose, 1/4" x 72"	2
3	80058	Hose, 1/4" x 51"	2
4	80020	Hose, 1/4" x 98"	2
5	80021	Hose, 1/4" x 136"	2
6	88840	Hose, 1/2" x 40"	1
7	88857	Hose, 1/2" x 57"	1
8	80054	Hose, 1/4" x 36"	2
9	80155	Hose, 1/4" x 24"	1
10	88880	Hose, 1/2" x 80"	2

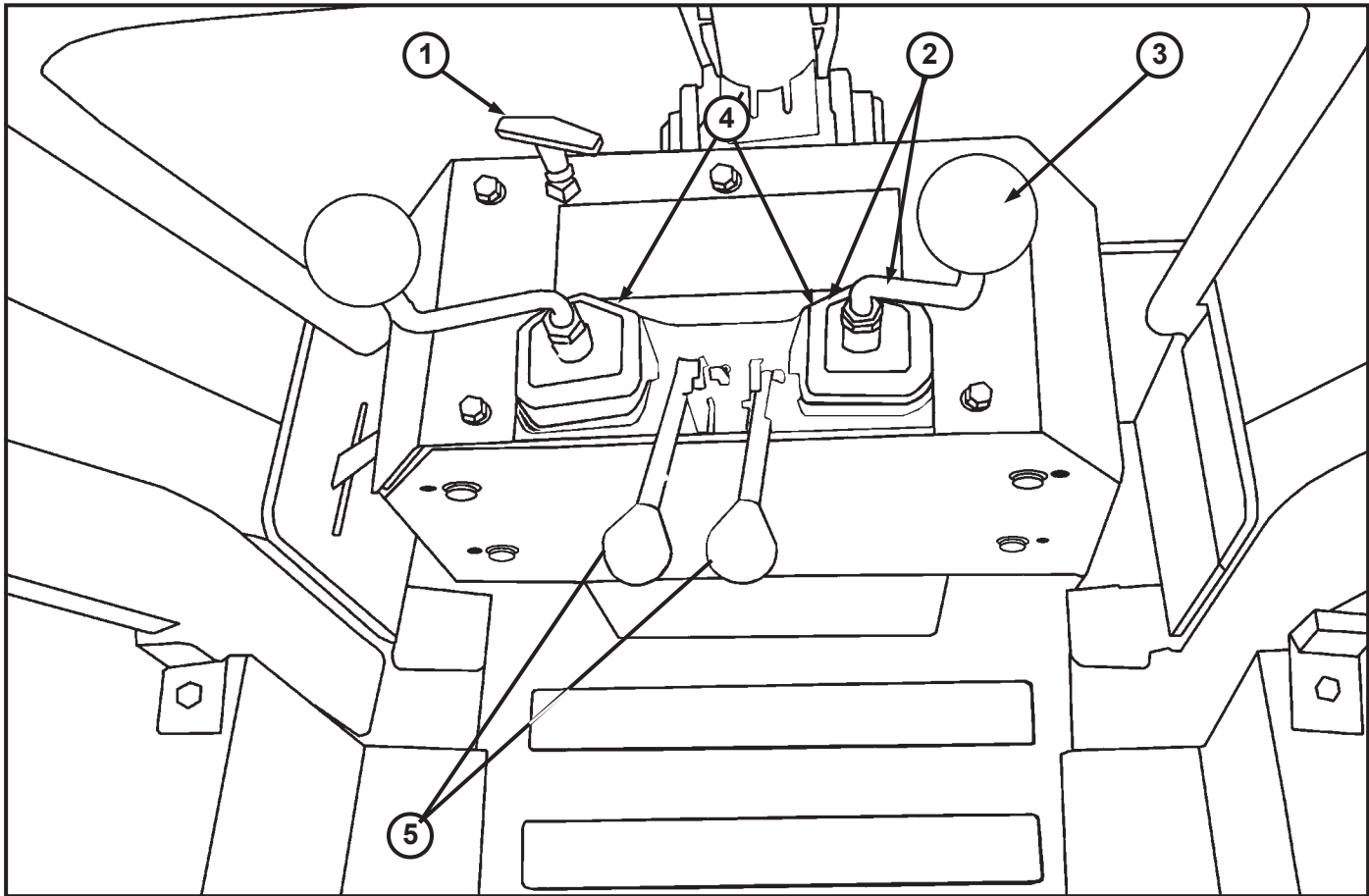
View from Operator Position of Rear Valve

Prior to 1-1-01
Non 180 Only



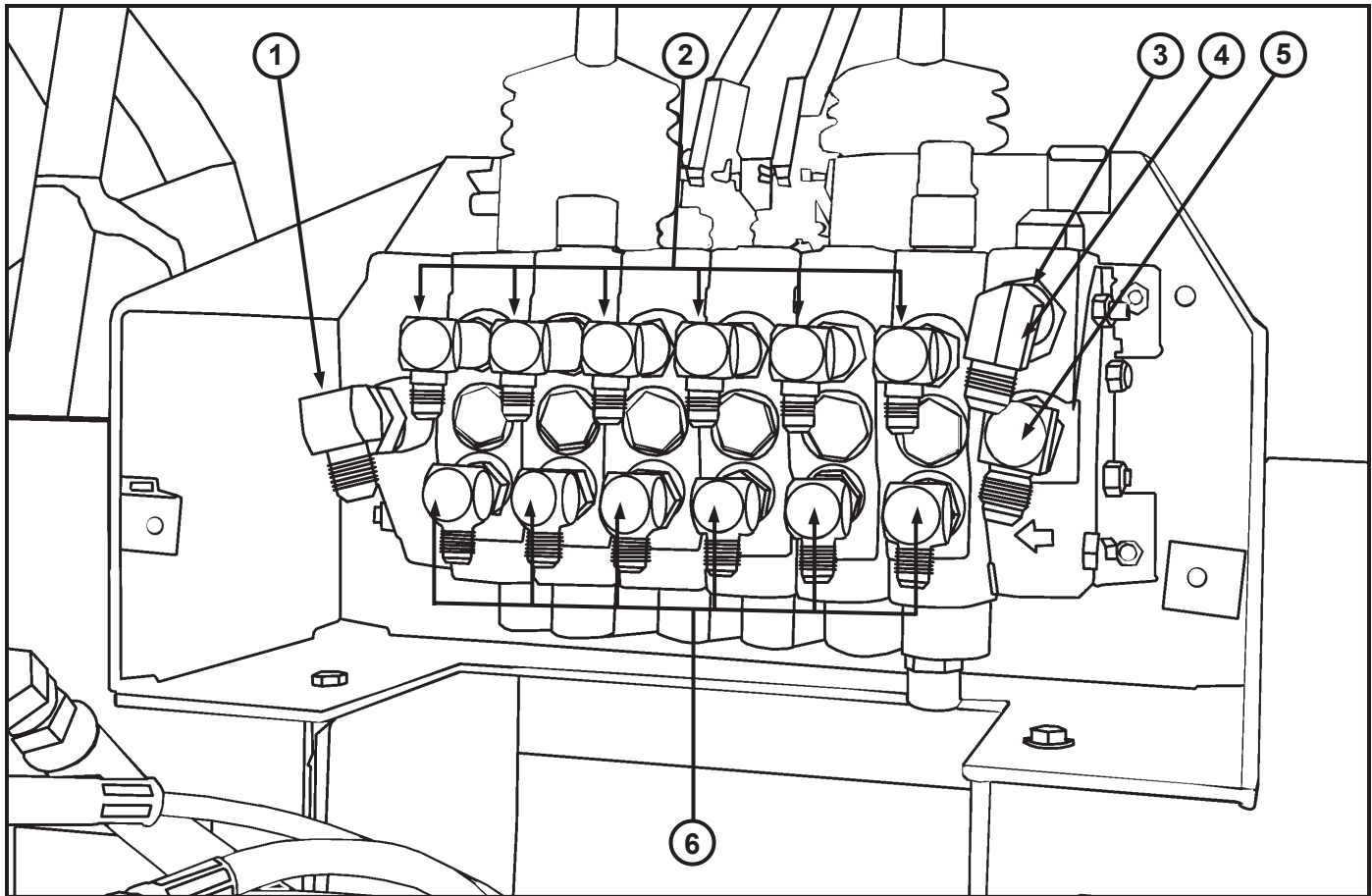
ITEM	PART NUMBER	DESCRIPTION	QTY.
1	25500	Nut, $\frac{5}{16}$ " - 24 NF Jam	5
2	13444	Block, Pivot, Universal Rear, T5C/T5D/T6/T7/T9	1
3	21429	Fitting, Grease, $\frac{1}{4}$ " 90°D	7
4	14052	Plate, Wobblestick & Operator Hazard, T5C/T5D/T6/T7/T9	1
5	13965	Linkage, Ball-Socket, Wobblestick, All Tractors	3
6	13418	Pin, Pivot, Valve Hose Link, T5C/T5D/T6/T7	10
7	13443	Link Bar, Wobblestick Connecting, T5C/T5D/T6/T7/T9	3
8	13411	Link, "U", Valve All Tractors	3
9	13410	Bracket, Aluminum, Rear Valve Handle, T6/T9	2

View of Operator Position at Rear Valve (180 Swing)



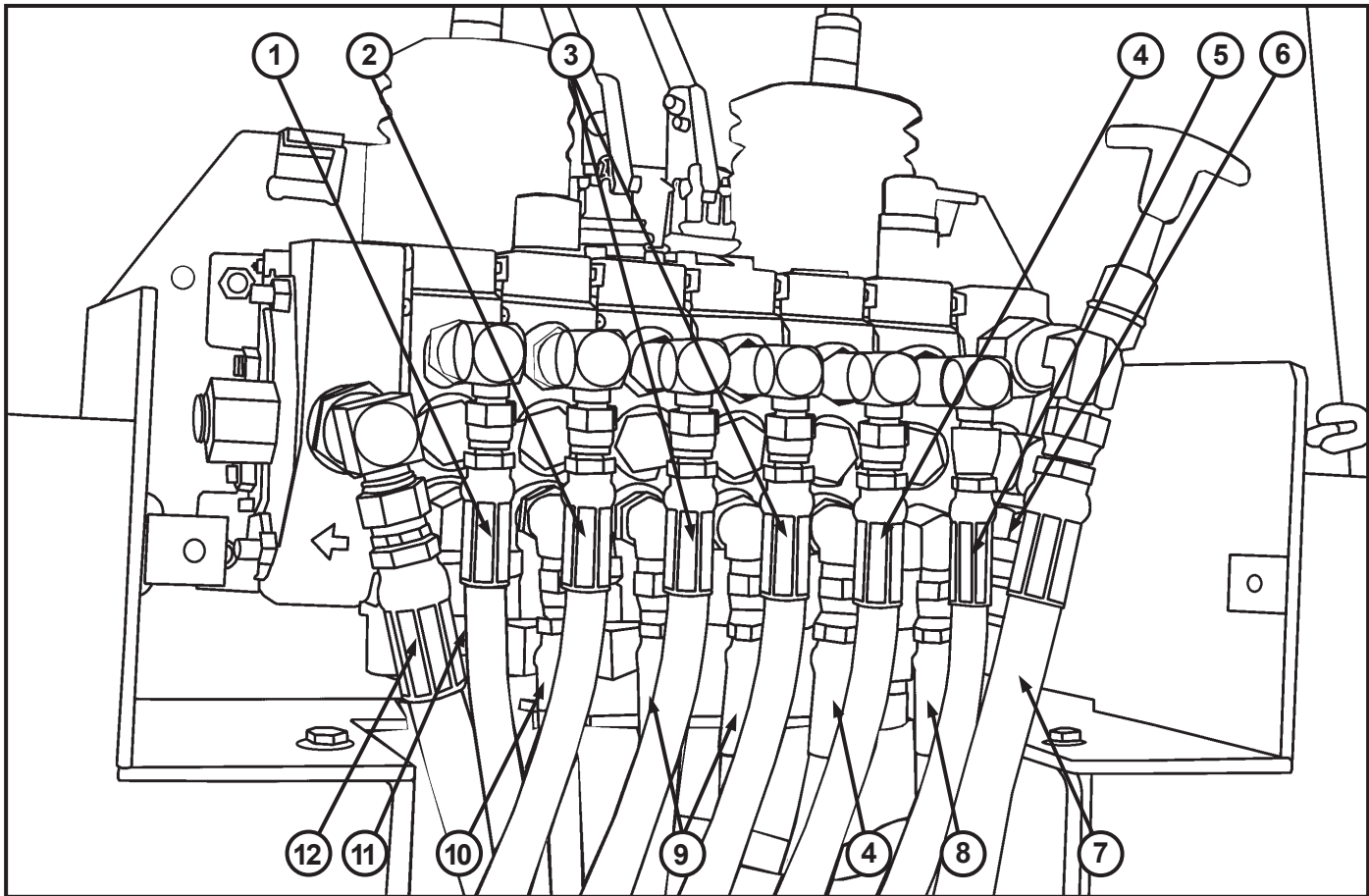
ITEM	PART NUMBER	DESCRIPTION	QTY.
1	13135	Cable, Boom Latch Control, T-Handle, T7/T9	1
2	84046	Wobblestick, Right Rear, V10-1294 Kit Pivot Section	1
3	13942	Knob, Red Wobblestick Handle, Valve, T5C/T5D/T6/T7/T9	2
4	84045	Handle, Wobblestick Left and Right, V10-1294	2
5	85120	Handle Outrigger/Offset V10-1294	1

View of Fitting Location for Rear Valve (180 Swing)



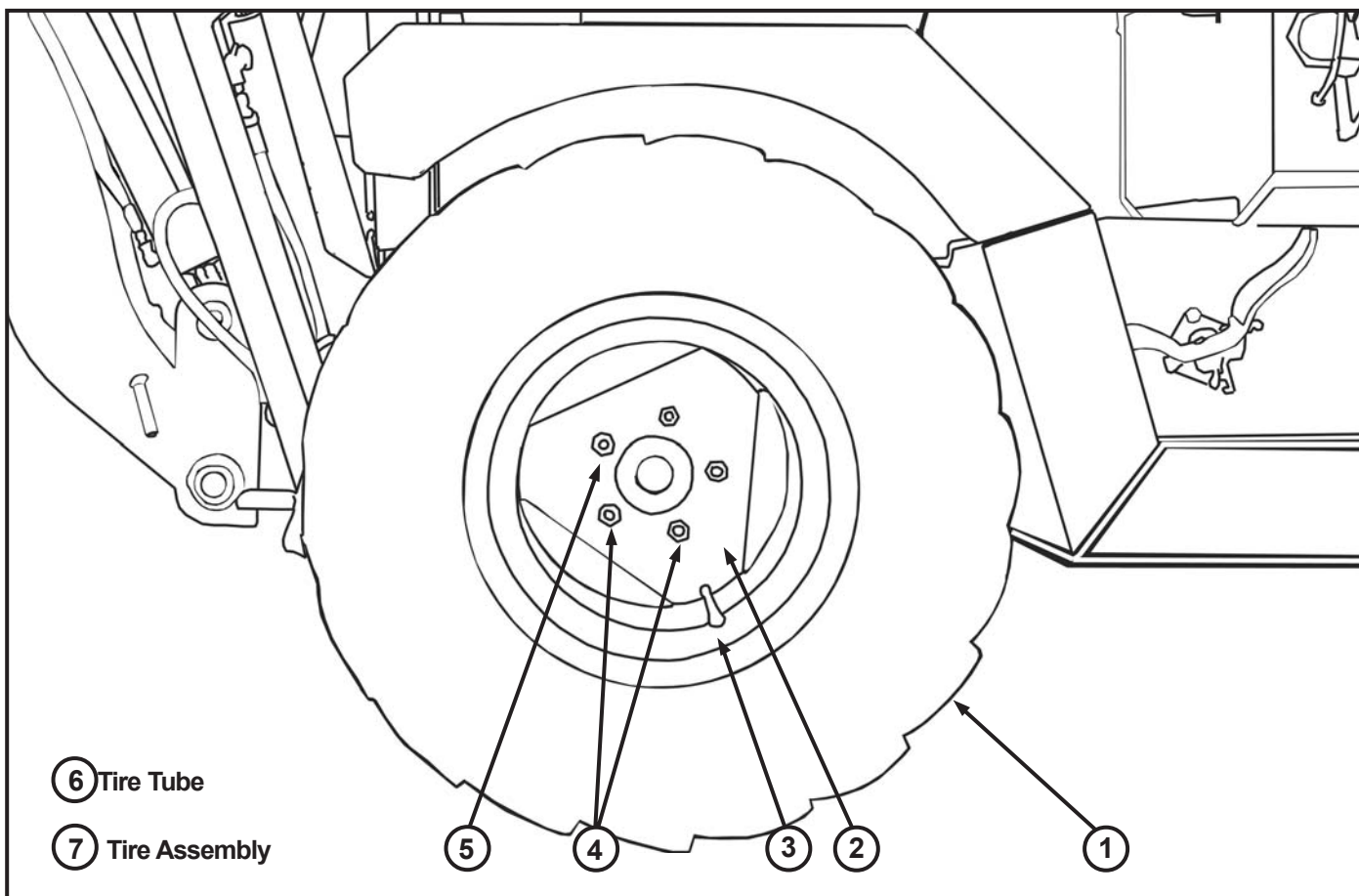
ITEM	PART NUMBER	DESCRIPTION	QTY.
1	20039	Fitting, #10 O-Ring x #8 JIC 90	1
2	20156	Fitting, #8 O-Ring x #6 JIC 90	6
3	20007	Fitting, #10 O-Ring - $\frac{7}{8}$ MB x $\frac{1}{2}$ " F, Bushing	1
4	20192	Fitting, $\frac{1}{2}$ MB x #8 JIC Long 90	1
5	20039	Fitting, #10 O-Ring x #8 JIC 90	1
6	20149	Fitting, #8 MP x #8M JIC Long 90	6

View of Hose Location for Rear Valve (180 Swing)



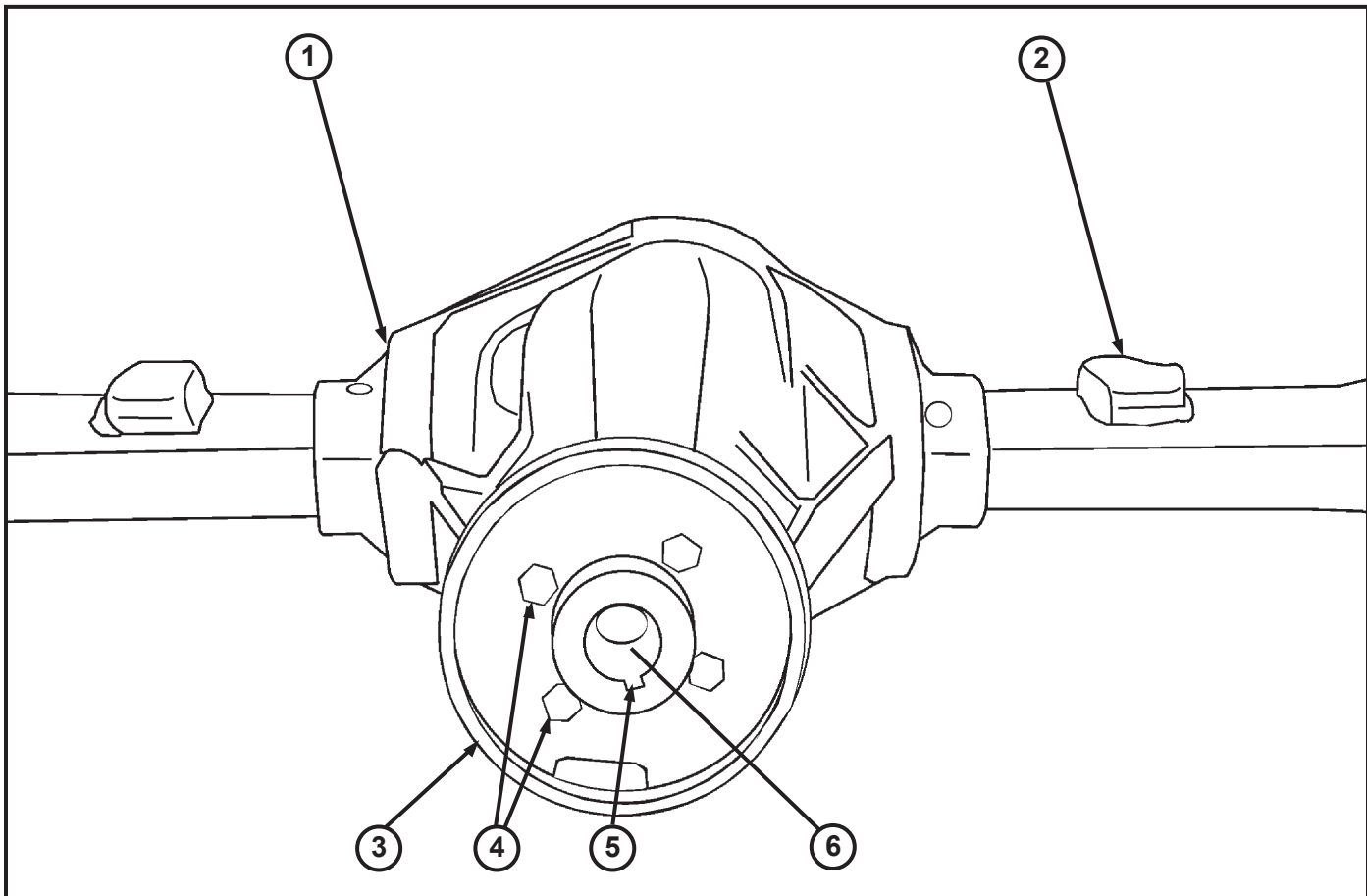
ITEM	PART NUMBER	DESCRIPTION	QTY.
1	80202	Hose, 1/4" x 130"	1
2	80203	Hose, 1/4" x 91"	1
3	80188	Hose, 1/4" x 48"	2
4	80205	Hose, 1/4" x 67"	2
5	80190	Hose, 1/4" x 25"	1
6	80200	Hose, 1/2" x 47"	1
7	80201	Hose, 1/2" x 57"	1
8	80197	Hose, 1/4" x 24"	1
9	80202	Hose, 1/4" x 39"	2
10	80204	Hose, 1/4" x 87"	1
11	80191	Hose, 1/4" x 124"	1
12	80199	Hose, 1/2" x 180"	1

View of Right Rear Tire and Rim



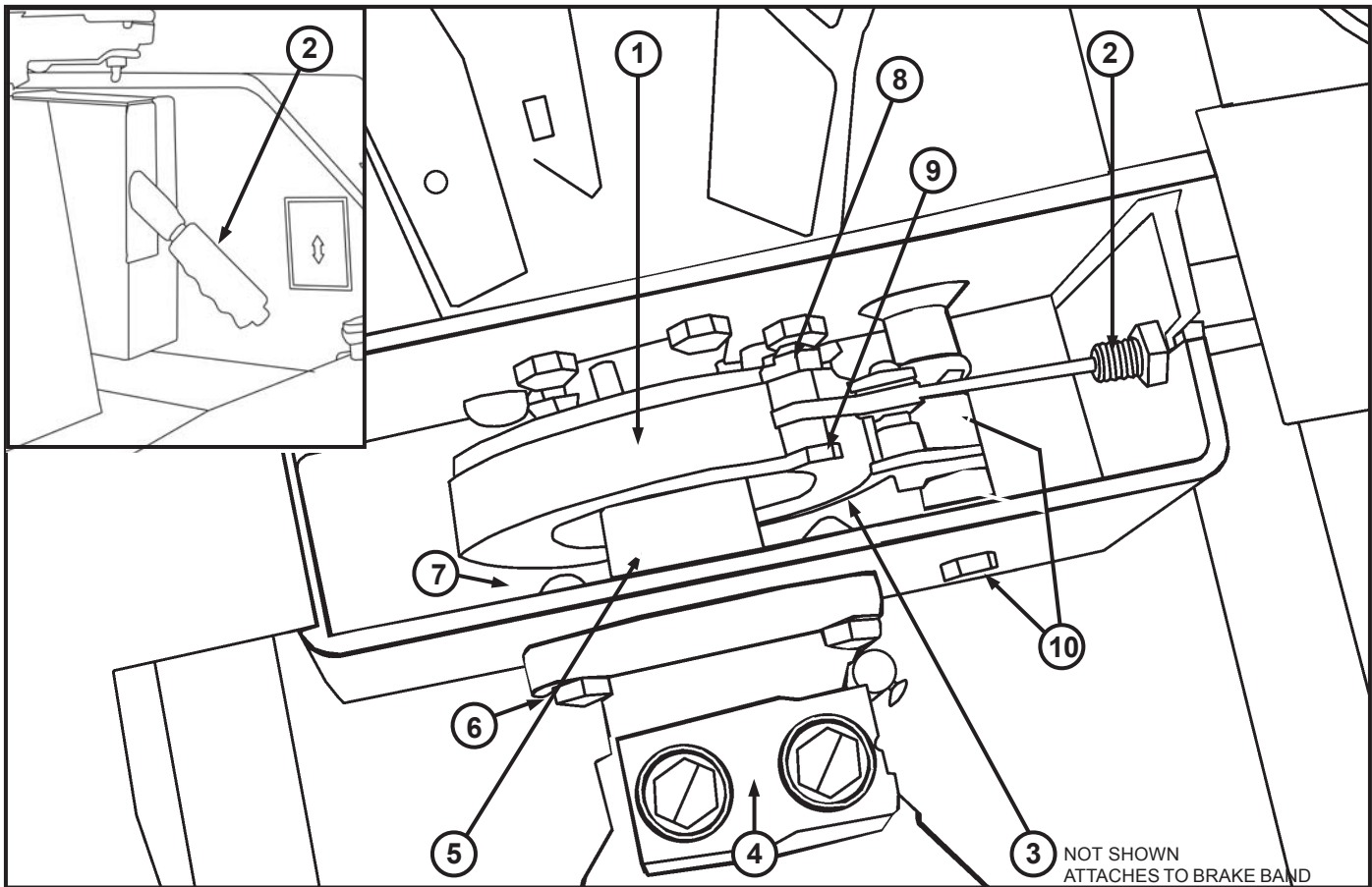
ITEM	PART NUMBER	DESCRIPTION	QTY.
1	51173	Tire, Rear, High Flotation, 31" x 15.5" x 15", T5C/T5D/T6/T7/T9	1
2	50016	Rim, Rear, 15" x 13", T5C/T5D/T6/T7/T9	1
3	51003	Valve Stem	1
4	28506	Nut Lug, 1/2" - 20 ID x 13/16" OD, Front & Rear	5
5	55380	Lug Stud, Rear Wheel	5
6	51000	Tube, 9.50 x 16 Tire (Not Shown)	1
7	51018	Assembly, Tire & Rim, Rear - HFT, T5C/T5D/T6/T7/T9	1

View from Front of Rear Axle



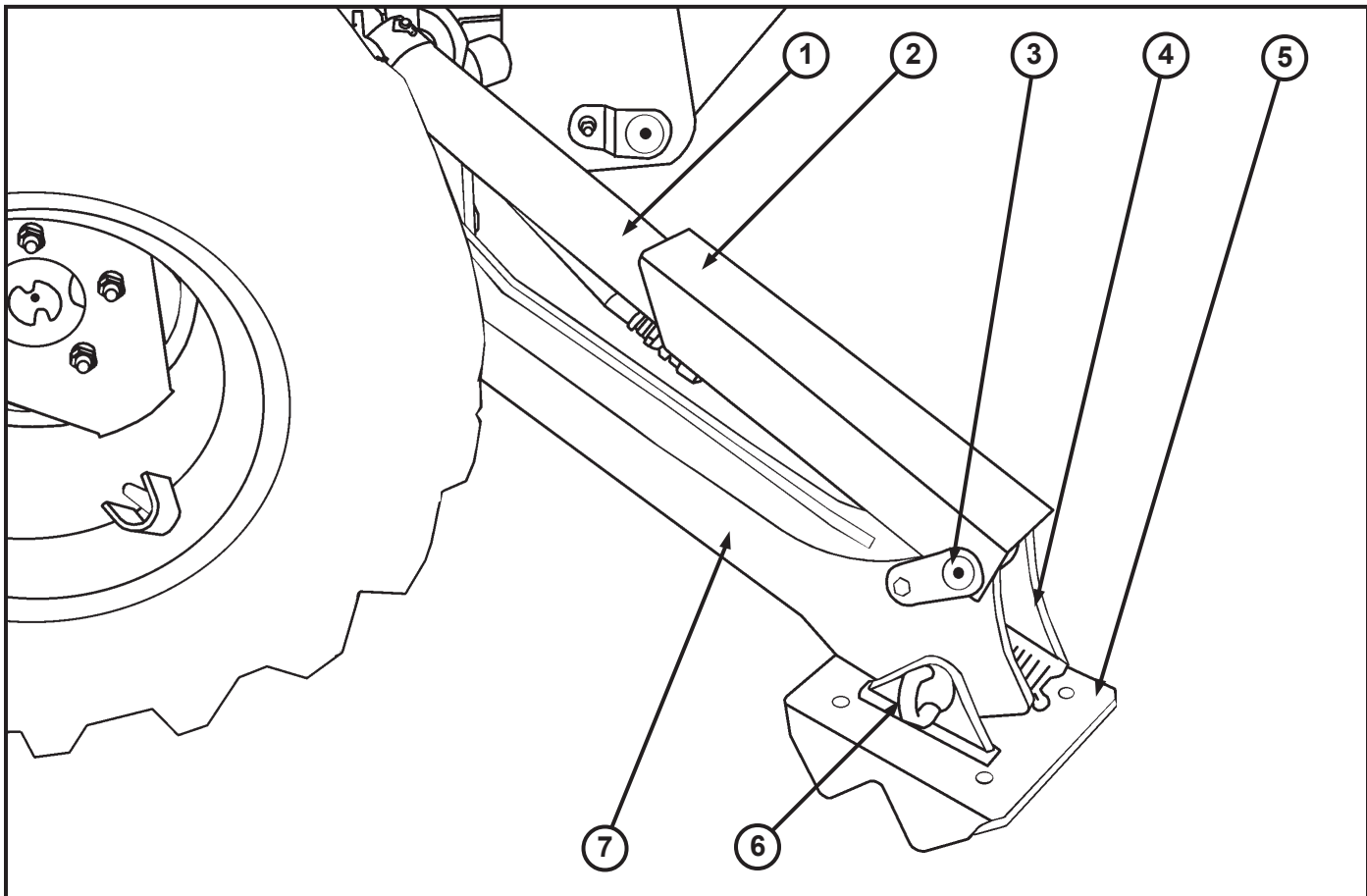
ITEM	PART NUMBER	DESCRIPTION	QTY.
1	55004	Axle, Rear, T5C/T5D/T7/T9 2W	1
2	55005	Pad, Rear Axle Spring	2
3	57034	Brake Drum, Weldment	1
4	26288	Bolt, $\frac{3}{8}$ " x $1 \frac{3}{4}$ " NF GR8Z	4
5	62021	Key, Torque Motor, TRW/Parker	1
6	51800	Flange, Drive Motor, T4/T5C/T5D/T6/T7/T9	1

Top View of Parking Brake Assembly



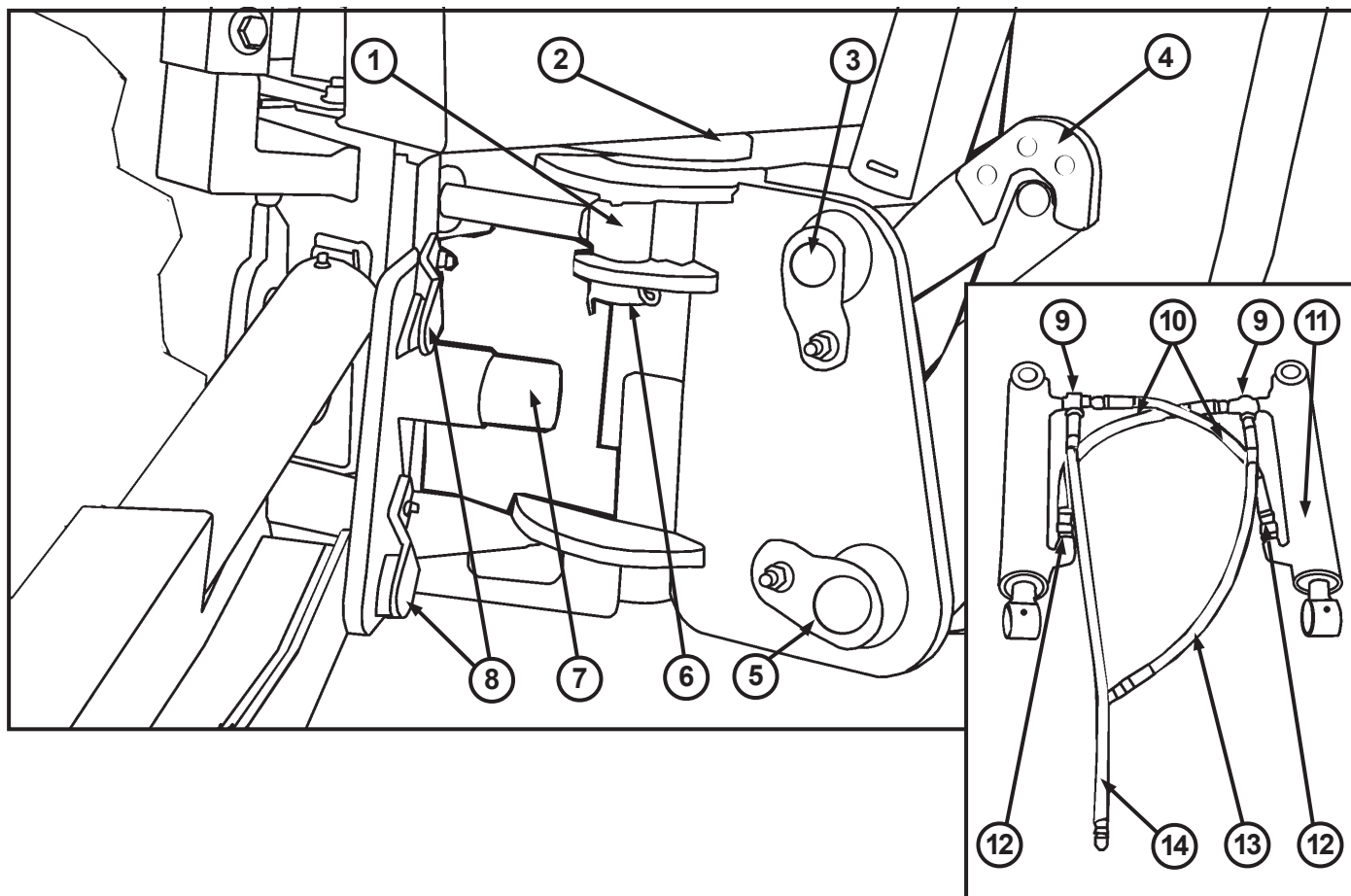
ITEM	PART NUMBER	DESCRIPTION	QTY.
1	55620	Brake Band	1
2	55606	Brake Cable	1
3	55613	Brake Off Set Link <small>Not Shown - Attaches to Brake Band</small>	1
4	64003	Drive Motor	1
5	51800	Drive Motor Flange	1
6	22034	Bolt	1
7	28500	Nut	1
8	23005	Nut	1
9	22038	Bolt	1
10	17028	Bushing, Brake 9/16" ID x 1" OD x 7/8" L	1
	17029	Bushing, Brake 9/16" ID x 1"OD x 1 1/4" L	1
	22042	Bolt, 14mm x 90 mm C2.0z Brake 38748	1
ITEM SHOWN	13168	Spring, Retro Fit Parking Brake	1
ITEM SHOWN	55621	Spring Bracket, Parking Brake	1

View from Left Side of Outrigger Assembly (Curved Boom)



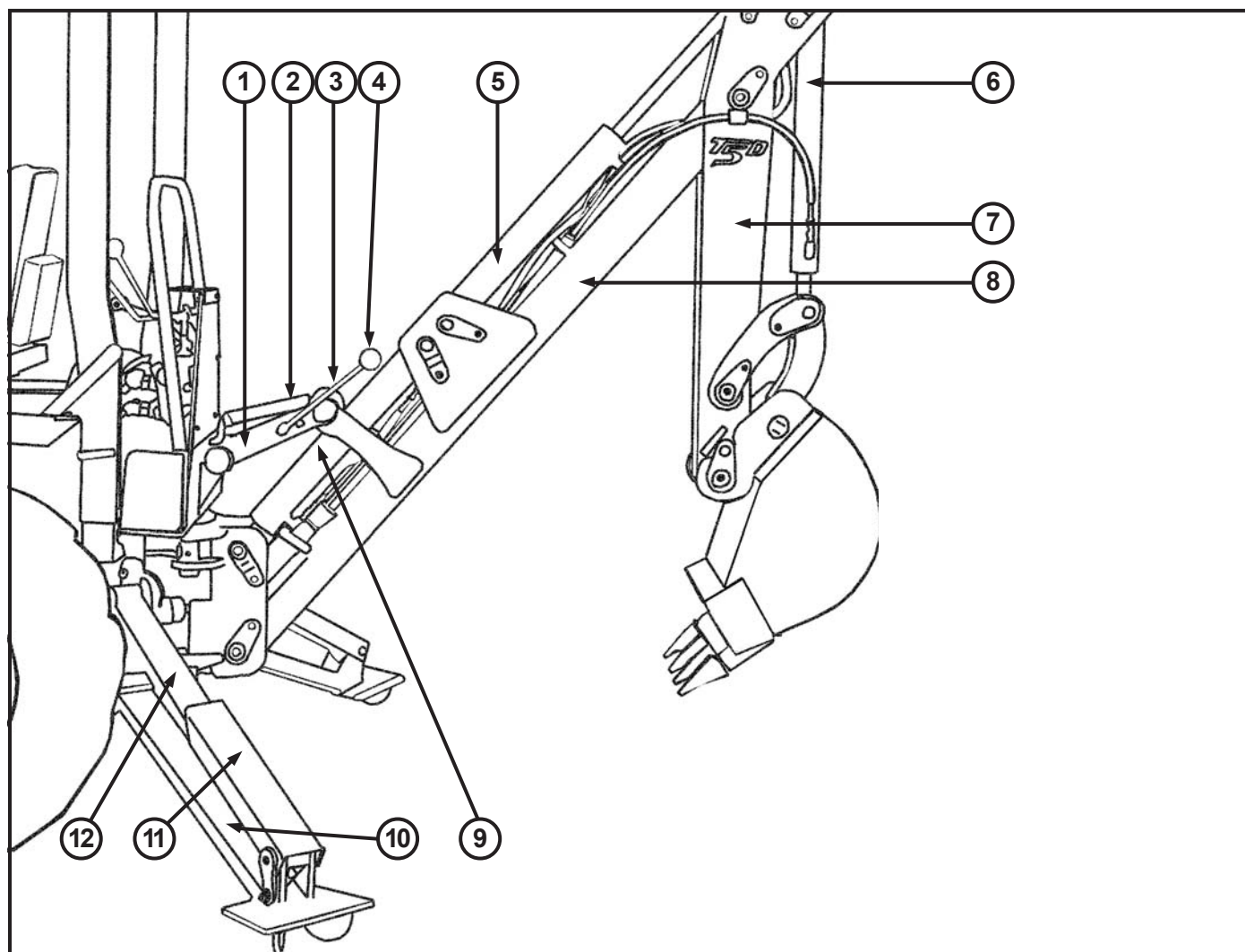
ITEM	PART NUMBER	DESCRIPTION	QTY.
1	81139	Cylinder, Outrigger, T5C/T5D/T7	1
2	11123	Guard, Outrigger, T5C/T5D/T7	1
3	11502	Pin, 4 1/8", Outrigger to Cylinder, T5C/T5D/T6/T7/T9	1
4	10202	Pin, Linch (Not Shown)	1
5	11048	Pad, Outrigger Foot	1
6	17156	Pin, 5 1/4", Pull, Outrigger Pad, T5D/T6/T7/T9	1
7	11112	Outrigger, T5C/T5D/T7	1

View of Left Side of Swing Assembly (Curved Boom Prior 1-1-01)



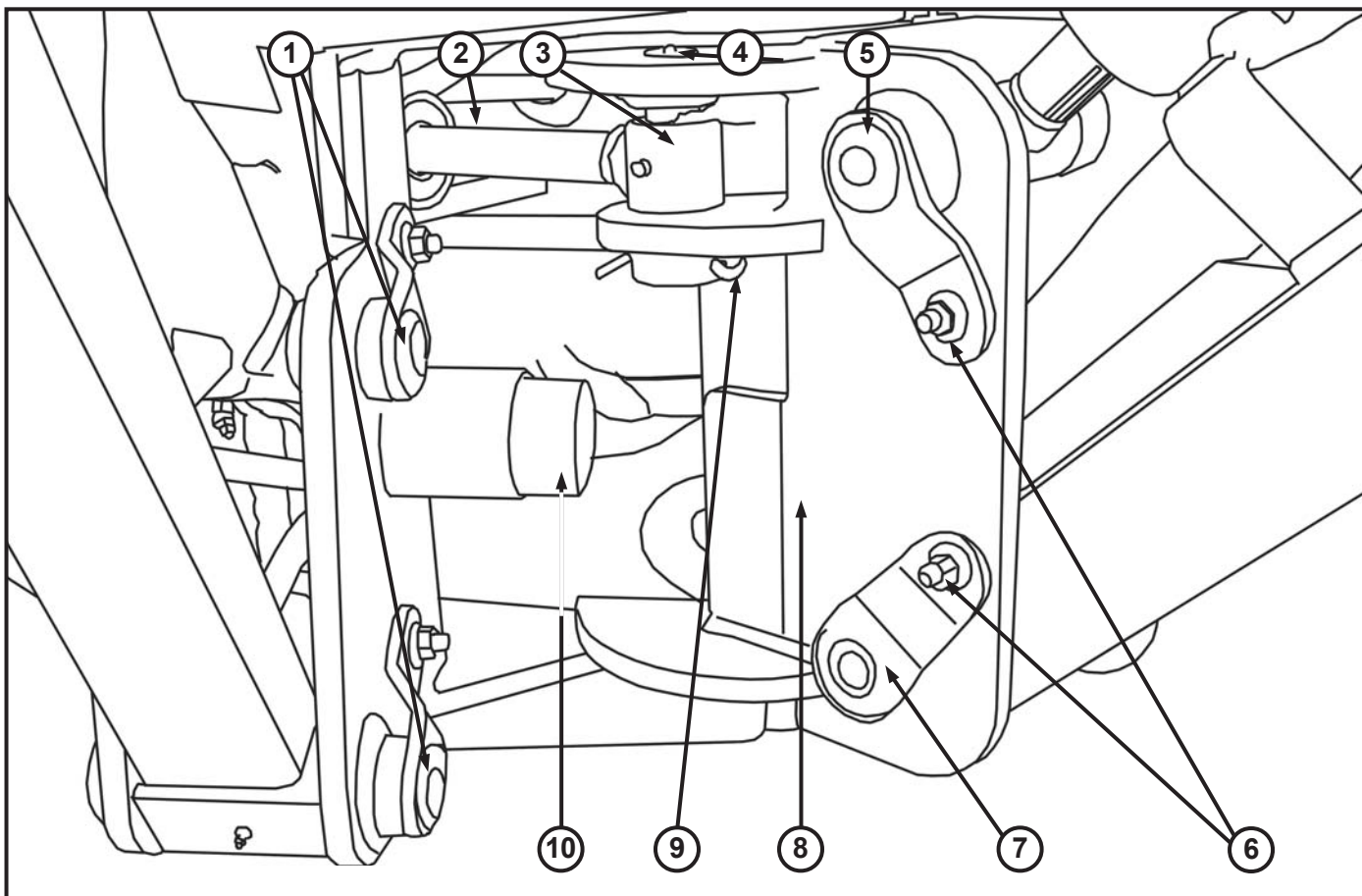
ITEM	PART NUMBER	DESCRIPTION	QTY.
1	15300	Pin, 4 1/8", Swing Cylinder to Swing, T5C/T5D/T6/T7/T9 (Not Shown)	1
2	11140	Pin, 18", Swing Pin, T5C/T5D/T7 (Not Shown)	1
3	17208	Pin, 7 3/4", Boom Cylinder to Swing, T6/T7/T9	1
4	10237	Boom Latch, Curved Boom, T5D/T6/T7/T9	1
5	10400	Pin, 8 1/4", Boom to Swing, T5C/T5D/T7	1
6	21420	Pin, Cotter, Case Hard	1
7	11006	Stop, Swing, T5C/T5D/T7	1
8	11100	Pin, 6 1/4", Outrigger, Boom, T5C/T5D/T6/T7/T9	1
INSET - SWING CYLINDER SUB - ASSEMBLY			
9	20025	Fitting, 1/4" Tee	2
10	80045	Hose, 1/4" Swing Crossover, 15"	2
11	82070	Cylinder, Swing w/Tee Fitting	2
12	20174	Fitting, 1/4"M x 1/4"FM Straight, Swivel	2
13	88420	Hose, 1/4" Swing to Valve, 20"	1
14	88425	Hose, 1/4" Swing to Valve, 25"	1

View of Backhoe Assembly for T5D with Straight Boom



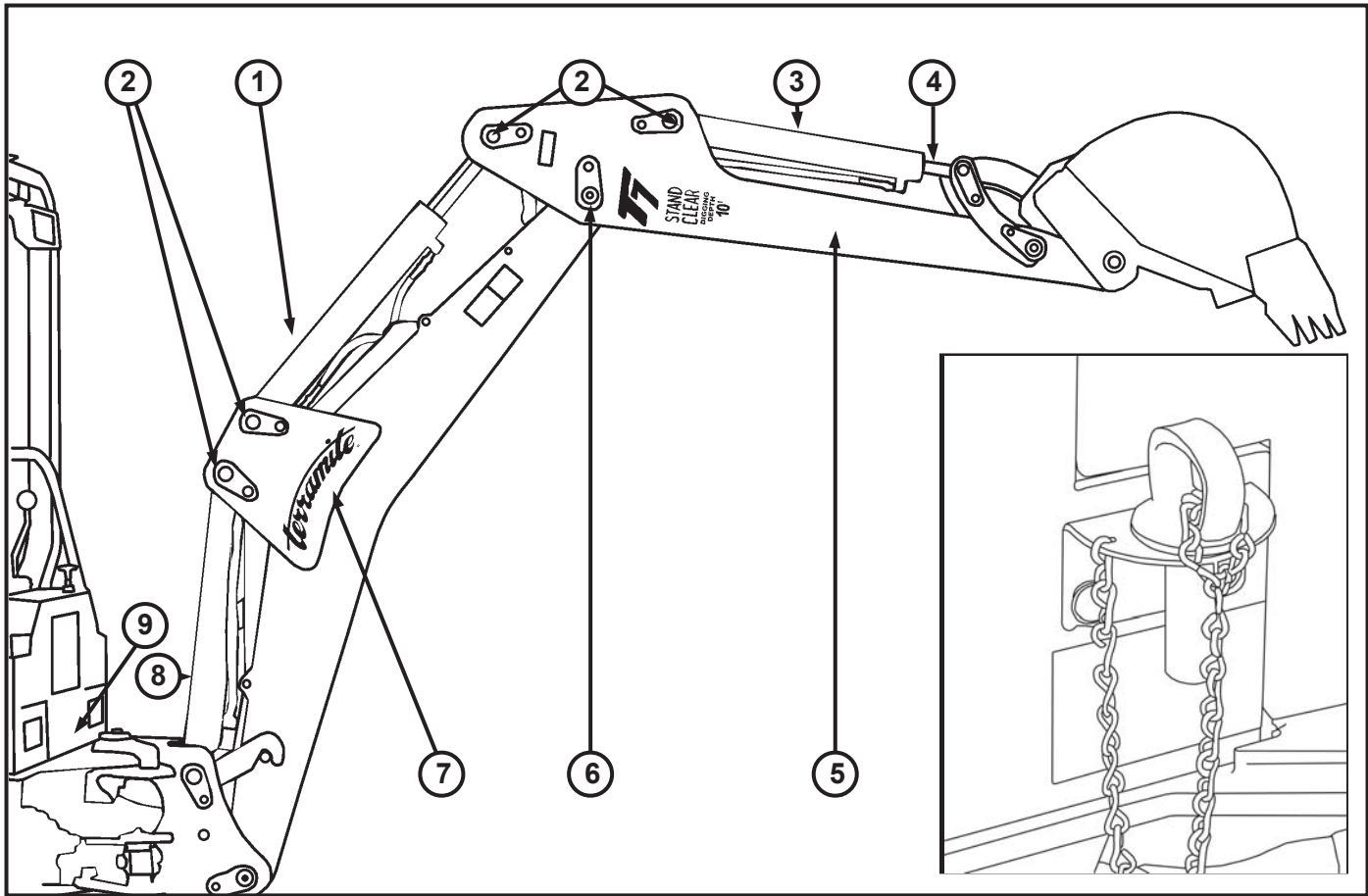
ITEM	PART NUMBER	DESCRIPTION	QTY.
1	10184	Boom Lock, T5C/T5D	1
2	13114	Spring, Boom Lock, 5.5"L	1
3	10193	Handle, Boom Lock, T5C/T5D	1
4	13942	Knob, Red	1
5	21000	Cylinder,Crowd, T5/T5C/T5D	1
6	81060	Cylinder, Rear Curl,T5C/T5D	1
7	10322	Assembly, Dipper, T5D (Includes Decals)	1
8	10289	Assembly, Boom, T5D (Includes Decals)	1
9	21200	Cylinder, Boom, T5/T5C/T5D	1
10	11501	Outrigger, T5C/T5D	2
11	11123	Guard, Outrigger, T5C/T5D/T7	2
12	81139	Cylinder, Outrigger, T5C/T5D/T7	2

View from Right Side of Swing Assembly (Straight Boom)



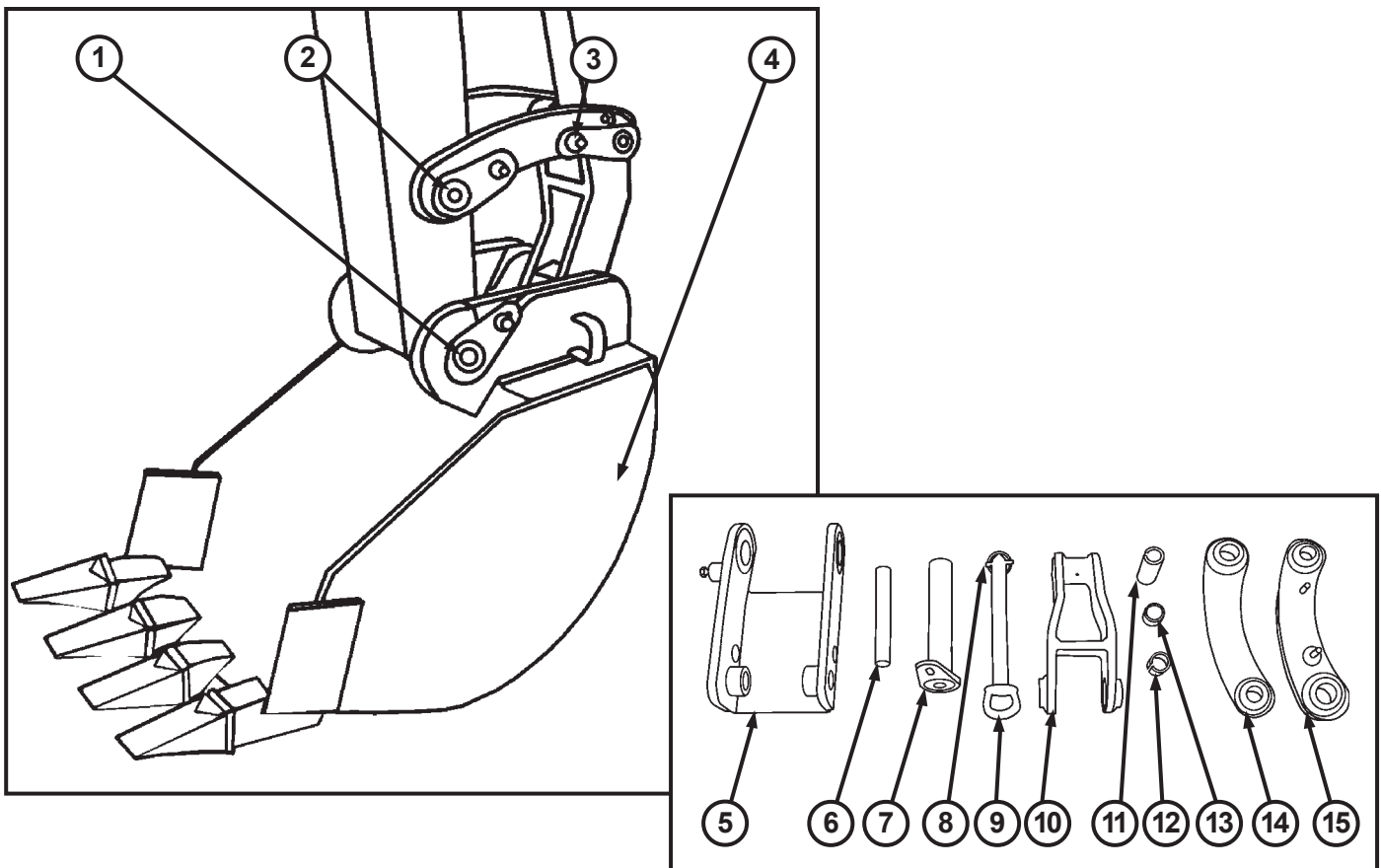
ITEM	PART NUMBER	DESCRIPTION	QTY.
1	11100	Pin, 6 1/4" Outrigger, Boom, T5C/T5D/T6/T7/T9	2
2	25201	Rod, Swing, T5C/T5D/T6/T7/T9	1
3	82070	Cylinder, Swing, T5C/T5D/T6/T7/T9	1
4	15300	Pin, 4 1/8", Swing Cylinder to Swing, T5C/T5D/T6/T7/T9	2
5	10410	Pin, 7 3/4", Boom Cylinder to Swing, T5C/T5D/T6/T7	1
6	20082	Nut, 3/8"NC Flange Z	2
7	10400	Pin, 8 1/4", Dipper/Bucket, Boom/Swing, T5C/T5D/T6/T7	1
8	11300	Swing, T5C/T5D	1
9	21420	Pin, Cotter, Case Hard	1
10	11006	Stop, Plastic, Swing, T5C/T5D/T7	1

View of Left Side of Backhoe Assembly (Prior 1-1-01)



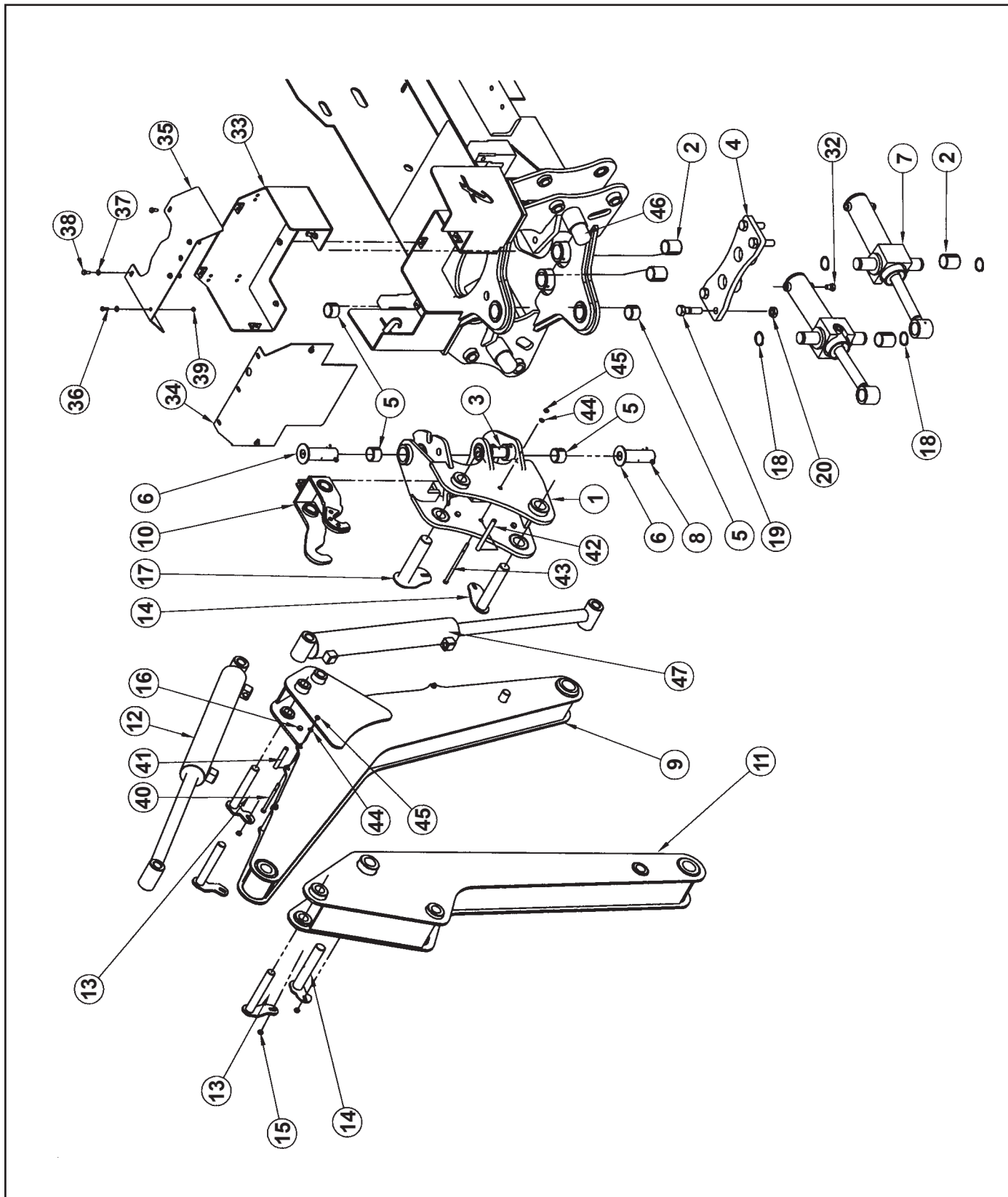
ITEM	PART NUMBER	DESCRIPTION	QTY.
1	81190	Cylinder, Boom and Crowd, T7	2
2	10700	Pin, 6 7/8", Crowd and Rear Curl Cylinder, Dipper, T5C/T5D/T7	4
3	81158	Cylinder, Rear Curl, T5D/T7	1
4	81048	Rod, Rear Curl, T5D/T7	1
5	10271	Assembly, Dipper, T7 (Includes Decals)	1
6	10701	Pin, 7 1/4", Boom to Dipper, T5C/T5D/T7	1
7	10292	Assembly, Boom, Curved, T5D/T7 (Includes Decals)	1
8	81222	Cylinder, Boom, T7	1
9	17270	Pin, Lock, Swing, T7/9 1800	1

View of Left Side of Rear Bucket & Linkage Assembly



ITEM	PART NUMBER	DESCRIPTION	QTY.
1	17190	Pin, 8 1/4", Quick Attach Bucket, T5C/T5D/T7	1
2	10812	Pin, 7 5/8", Dipstick to Linkage, T5C/T5D/T6/T7/T9	1
3	20082	Nut, 3/8" NC Flange Z	2
4	11160	Bucket, 16", Quick Attach, T5C/T5D/T7	1
5	19479	Center Assembly, Quick Attach, T5C/T5D/T7	1
6	17269	Pin, 6 1/2", Rear Curl Cylinder to Quck Attach, T5C/T5D/T6/T7/T9	1
7	10812	Pin, 7 5/8", Dipstick to Linkage, T5C/T5D/T6/T7/T9	1
8	10202	Pin, Linch, T5C/T5D/T6/T7/T9/Sweeper	1
9	17273	Pin, 9", Quick Attach Pull, T5C/T5D/T7	1
10	18240	Linkage Assembly, Center, T5C/T5D/T6/T7/T9	1
11	10260	Bushing, 1 1/2" ID x 1 3/4" OD x 3" L	1
12	10819	Bushing 1 ID" x 1 1/4" OD x 1" L	1
13	17055	Bushing, 1 1/2" ID x 1 3/4" OD x 2" L	1
14	18261	Linkage Link, Right, T5C/T5D/T6/T7/T9	1
15	18260	Linkage Link, Left, T5C/T5D/T6/T7/T9	1

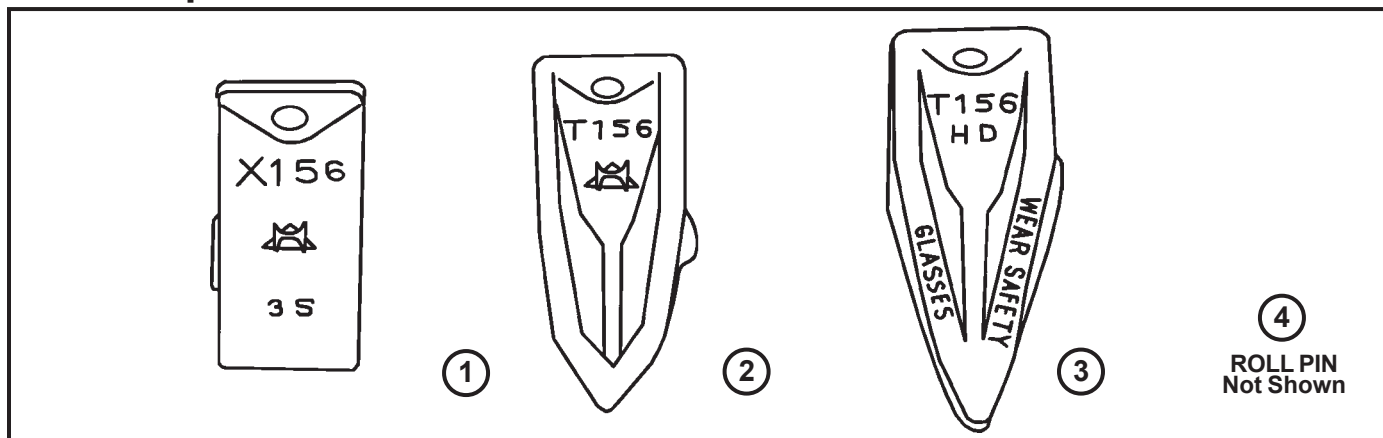
T7 Backhoe Assembly 180°



T7 Backhoe Assembly 180°

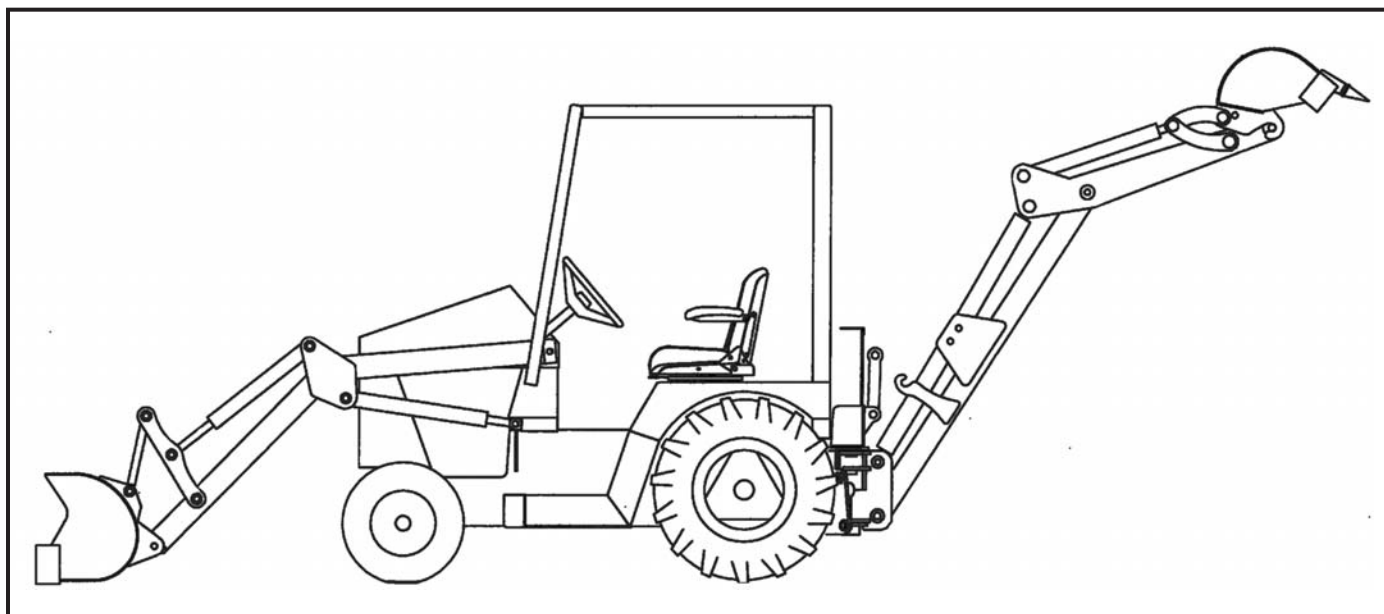
ITEM	PART NUMBER	DESCRIPTION	QTY.
1	11150	Swing, 180°, T7/T9	1
2	17055	Bushing, 1.5"ID x 1.75"OD x 2"L	4
3	17244	Pin, 5 ¹ / ₂ ", Swing Cylinder	2
4	11155	Plate, Swing Cylinder, 180°, T7/T9	1
5	17252	Bushing, 1.5"ID x 1.75"OD x 1.25"L, T7/T9	6
6	17253	Pin, 4 ³ / ₄ ", Swing Pivot, 180°, T7/T9	2
7	81169	Cylinder, Trunnion Swing, 180°, T7/T9	2
8	21420	Pin, Cotter, Case Hard	2
9	10292	Assembly, Boom, T7 (Includes Decals)	1
10	10237	Boom Latch, Curved Boom, T5D/T6/T7/T9	1
11	10271	Assembly, Dipper, T7 (Includes Decals)	1
12	81190	Cylinder, Crowd, T7	1
13	10700	Pin, 6 ⁷ / ₈ " Crowd & Rear Curl Cylinder, T5C/T6/T7/T9	3
14	10406	Pin, 7 ¹ / ₄ " Boom to Dipper, T5B/T5D/T6/T7/T9	2
15	20082	Nut, ³ / ₈ " NC Flange Z	6
16	22123	Bolt, ³ / ₈ -16 x 1 ¹ / ₄ " Gr8 Z	6
17	17208	Pin, 8 ¹ / ₄ " Boom Cylinder to Swing, T6/T7/T9	1
18	22200	Ring, External, Snap, 1 ¹ / ₂ ", 180°, T7/T9	4
19	22197	Bolt, ³ / ₄ -16 x 2 ³ / ₄ " Gr8 Z	4
20	22199	Nut, ³ / ₄ -16, Nylon Lock Gr8 Z	4
21	15138	Bracket, Engine Mounting, Front, Perkins, 20hp.	1
22	15136	Bracket, Engine Mounting, Rear, Perkins, 20hp.	2
23	48024	Mount, Rubber Isolator	4
24	22021	Bolt, ¹ / ₂ -13 x 3" NC Gr8 Z	4
25	22081	Washer, ¹ / ₂ " USS	4
26	22080	Washer, ¹ / ₂ " x 2" OD Z	4
27	28500	Nut, ¹ / ₂ " NC Lock Z	4
28	24007	Spacer, Frame, Front Valve Washer	4
29	10062	Bracket, Radiator Arm (Left) Perkins	1
30	10063	Bracket, Radiator Arm (Right) Perkins	1
31	22008	Bolt, ³ / ₈ -16 x 1" Gr 8 ZP, T5C/T5D/T6/T7/T9/Sweeper	4
32	20134	Fitting, #6 O-ring Plug	2
33	16279	Cover, Rear Valve, V-10, 180°, T7/T9	1
34	15147	Plate, Back Valve Cover, V-10 6 Spool	1
35	15148	Plate, Top Valve Cover, V-10 6 Spool	1
36	22025	Bolt, ¹ / ₄ " x ³ / ₄ " NC Gr8, T5C/T5D/T6/T7/T9/Sweeper	3
37	24008	Washer, ¹ / ₄ " Flat USS	13
38	22045	Bolt, ⁵ / ₁₆ " x ³ / ₄ " NC Gr8 Z	7
39	28504	Nut, ¹ / ₄ " NC Lock Z	3
40	22212	Bolt, ⁵ / ₁₆ " NC x 4 ¹ / ₂ " L, Gr8 Z	3
41	17257	Spacer, Boom Hose	3
42	17258	Spacer, Swing Hose Guide	1
43	22213	Bolt, ⁵ / ₁₆ " NC x 7" L, Gr 8 Z	1
44	28020	Washer, ⁵ / ₁₆ ", Lock Z	4
45	23003	Nut, ⁵ / ₁₆ -18, Hex NC	4
46	17256	Stop, Plastic Swing	2
47	81222	Cylinder, Boom, T7	1

Tooth Caps



ITEM	PART NUMBER	DESCRIPTION	QTY.
1	10500	Cap, Tooth, Standard Pin, T5C/T5D/T6/T7/T9	NA
2	10590	Cap, Tooth, Tiger	NA
3	10591	Cap, Tooth, Tiger, HD	NA
4	10530	Roll Pin, Tooth Cap, SD	NA

Position machine must be in to check proper level in hydraulic tank.



NOTE: Filling tank with loader or backhoe in any other position will result in overfilling and spillage of fluid through the breather cap. Replace cap if oil should ever spill out of breather cap since it will clog off the air supply that the systems needs to operate properly.

- Loader arm lifted off ground a few inches.
- Front loader bucket curled back
- Backhoe boom in full raised position
- Backhoe dipper fully extended
- Backhoe Bucket curled all the way back

Hydraulic System Oil Change and Type Specifications

When your machine is new, the hydraulic system oil and filter should be changed within the first 50 hours of use and every 250 thereafter. Refill the hydraulic reservoir with engine oil type API SF.CD 15W40 when outside temperature is above 40 degrees F. Use engine oil type API SF.CD 10 weight when outside temperature is below 40 degrees F. Replace filter with Terramite / 2-200.5C filter or NAPA / 1759 filter. It is important to follow these instructions to alleviate any cold weather engine starting problems and any pressure or heat related component failure.

DO NOT USE HYDRAULIC OIL! MAJOR DAMAGE WILL RESULT!

For your engine oil requirements and change intervals refer to your engine owners manual.

On Hand Spare Parts

Following is a list of spare parts we recommend you keep on hand.

Oil, Fuel and Air Filters

One of each size Cylinder Packing Kit (specify serial number of machine when ordering)

Grease Fittings

One each of a longest length and medium length Hoses and spare Cylinder Fittings

Tie Rod End

Pedal Return Spring

Wheel Bearings

Tooth Caps with Pins

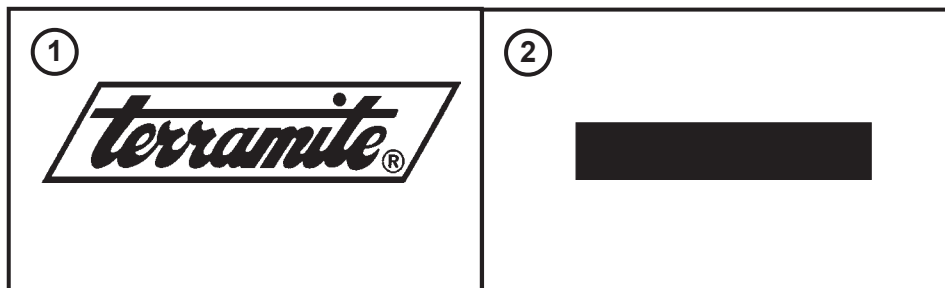
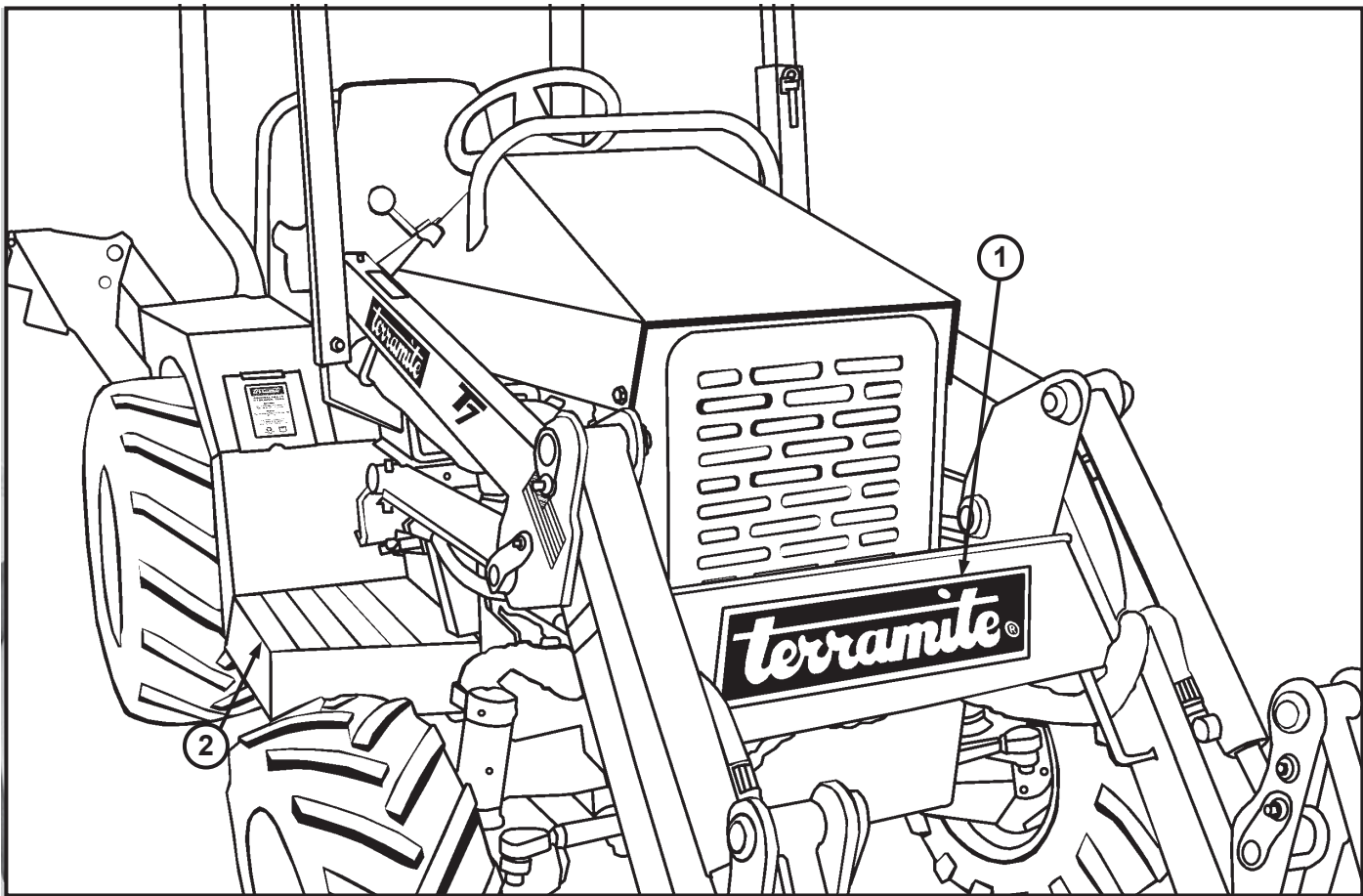
Assortment of long, medium and short Pins

Control Valve Linkage Parts and Cotter Pins

Special Tools

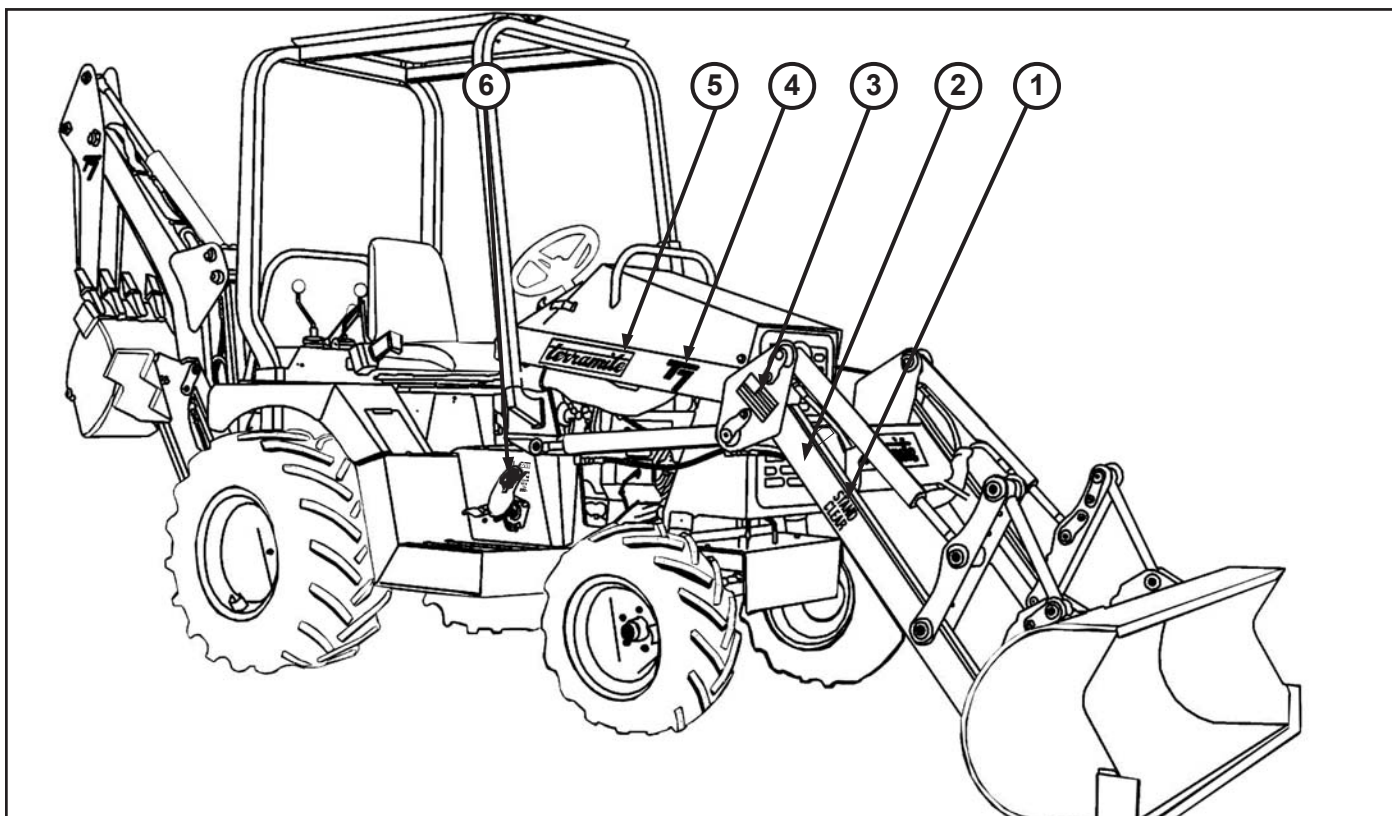
ITEM	PART NUMBER	DESCRIPTION		QTY.
1	10599	1-05.SDT	Punch, for 1-05.SD & TT Tooth Caps	1
2	21176	A-176	Spanner wrench for cylinder repair	1

Decal Location - Front Arms



ITEM	PART NUMBER	DESCRIPTION	QTY.
1	14194	Decal, Black, TMC Jumbo Logo, T6/T7/T9/Sweeper	1
2	16181	Kit, Complete, Skid Tape, T5D/T7/T9/T6	2

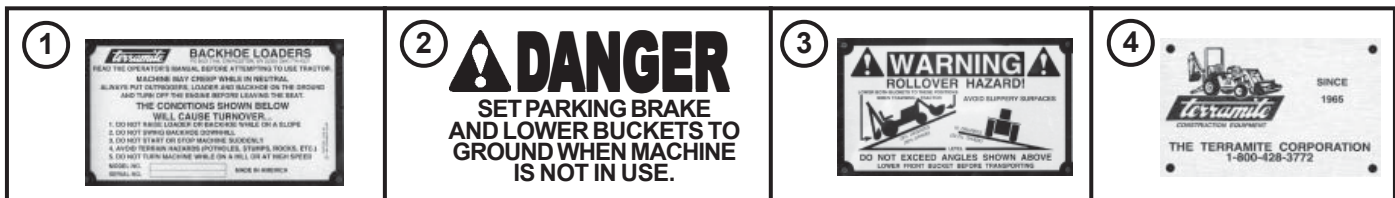
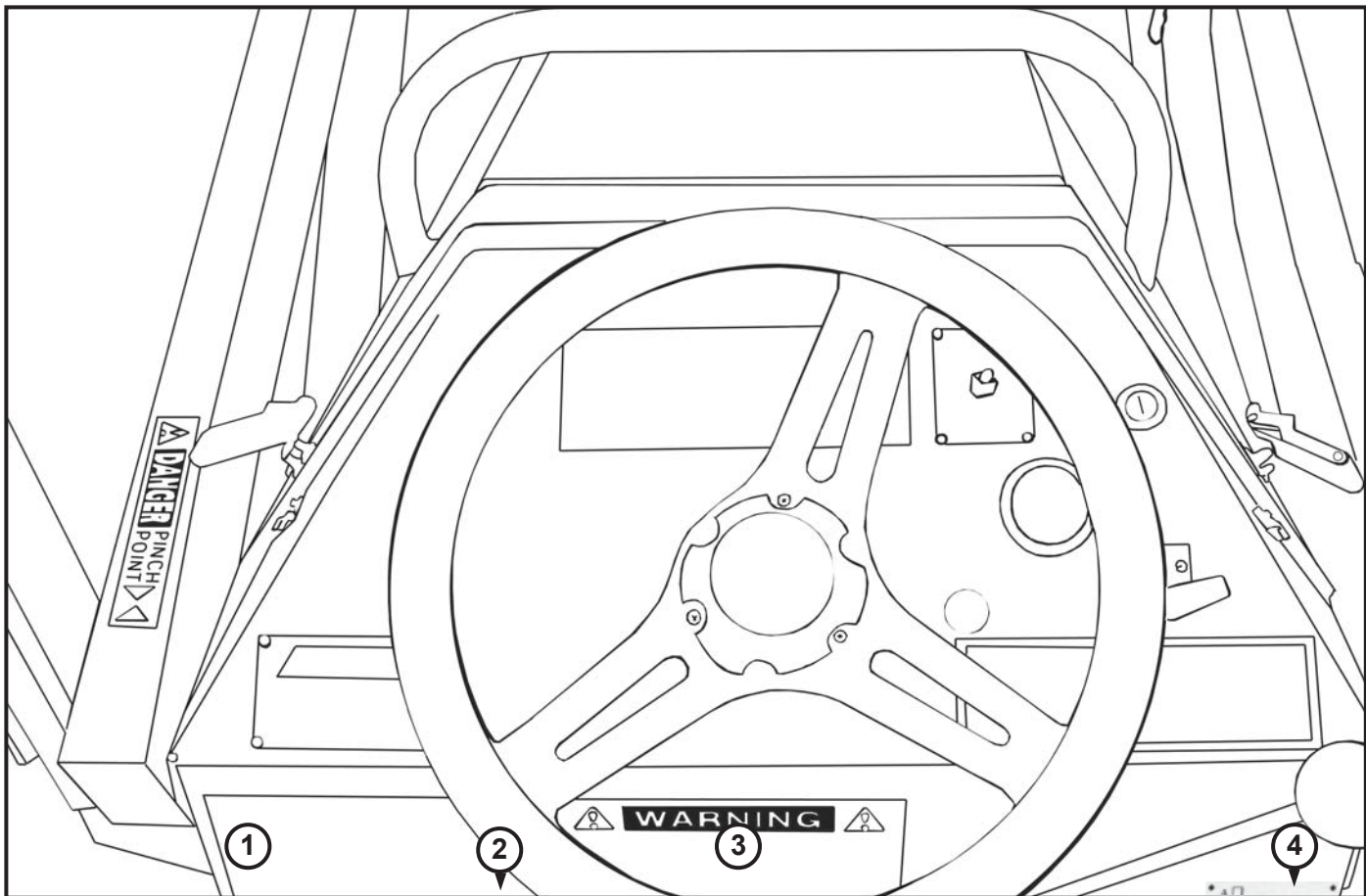
Decal Location - Side View



<p>①</p> <p>STAND CLEAR</p>	<p>②</p>	<p>③</p>
<p>④</p>	<p>⑤</p>	<p>⑥</p>

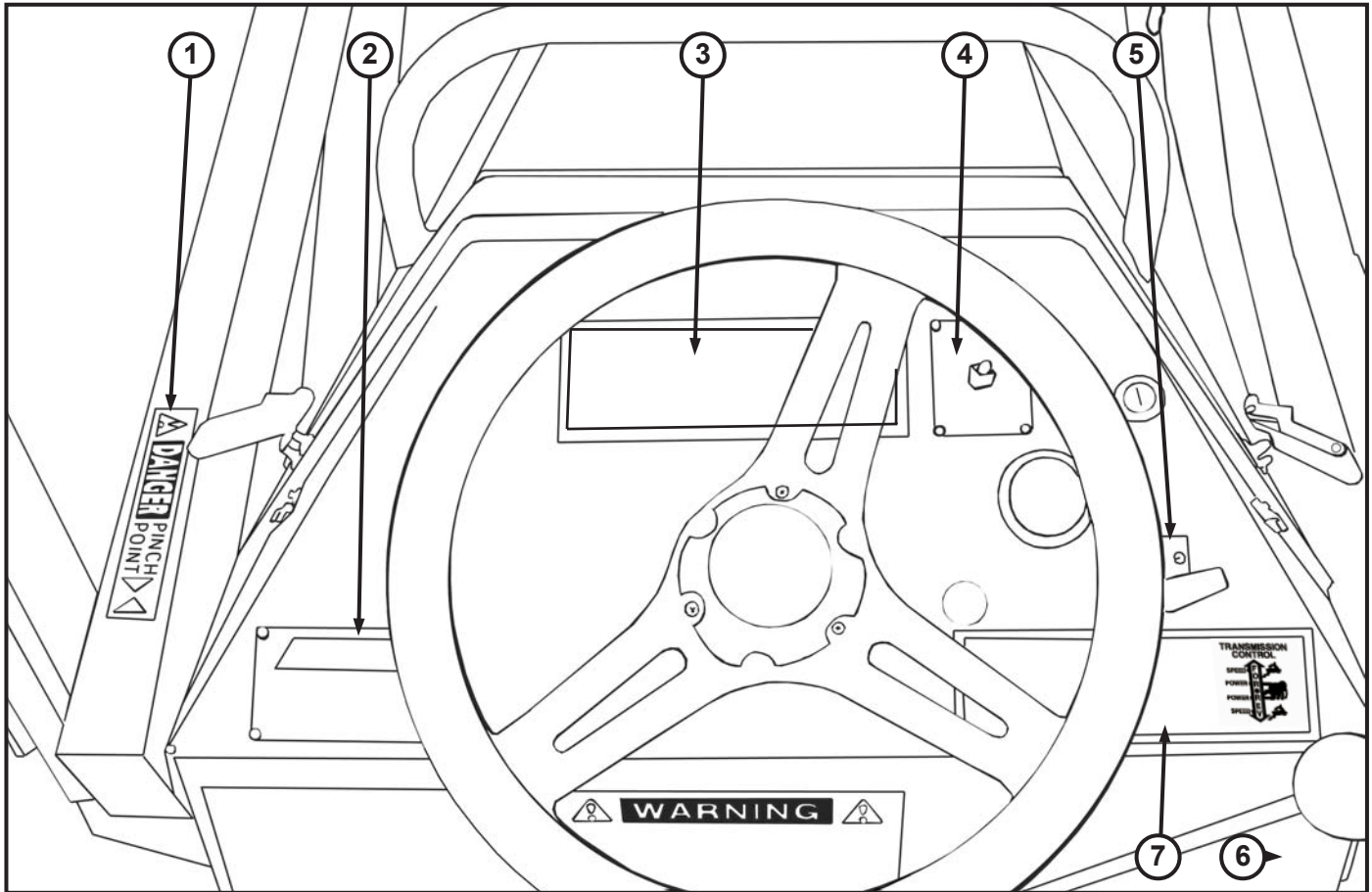
ITEM	PART NUMBER	DESCRIPTION	QTY.
1	14004	Decal, Stand Clear, Red, T5C/T5D/T6/T7/T9	4
2	14021	Decal, Reflector, Amber, T5C/T5D/T6/T7/T9	2
3	14099	Decal, American Flag, T5C/T5D/T6/T7/T9	2
4	14001	Decal, Terramite, Large, T5C/T5D/T6/T7/T9	2
5	14214	Decal, Black, Small, T7	2
6	14070	Decal, Black, W.V., T5C/T5D/T6/T7/T9/Sweeper	2

Decal Location - Dash



ITEM	PART NUMBER	DESCRIPTION	QTY.
1	14203	Decal, Read Operators Manual, T5D/T6/T7/T9	1
2	14220	Decal, Danger, Parking Brake - NIU	1
3	14202	Decal, Warning Roll Over, T5D/T6/T7/T9	1
4	14024	Decal, Plate, TMC Starting 1965	1

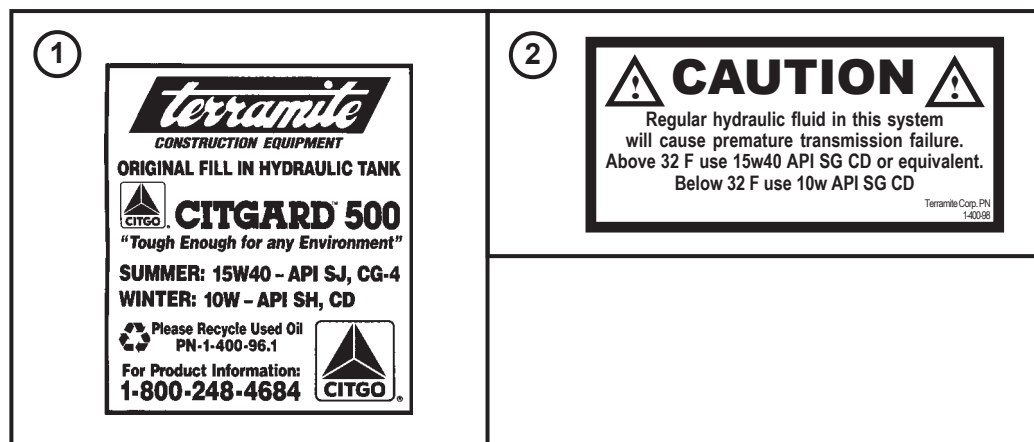
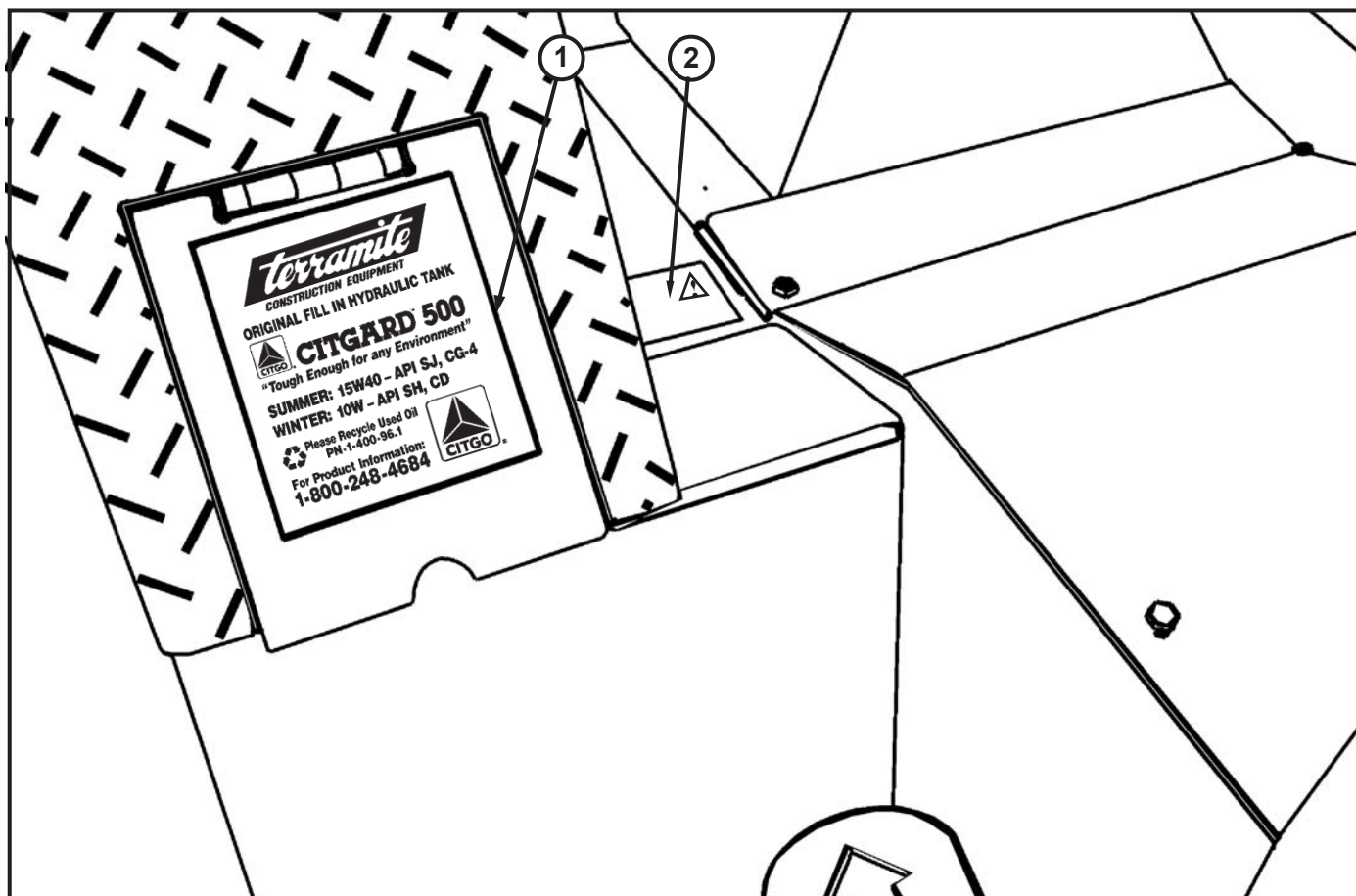
Decal Location - Dash (Diesel Shown)



<p>1</p>		<p>SAFETY FIRST KEEP SHIELDS, GUARDS AND SPETY DEVICES IN PLACE KEEP HANDS AND FEET FROM MOVING PARTS NEVER LET CHILDREN RIDE ON OR OPERATE THE TRACTOR BE ALERT FOR DANGER TO BYSTANDERS AND PROPERTY HANDLE FUEL WITH CARE AND USE APPROVED CONTAINERS KEEP MACHINE LUBRICATED AND IN A GOOD STATE OF REPAIR</p> <p style="text-align: right; font-size: small;">PN 14201</p>	
<p>4</p>	<p>5</p>	<p>6</p>	<p>7</p>

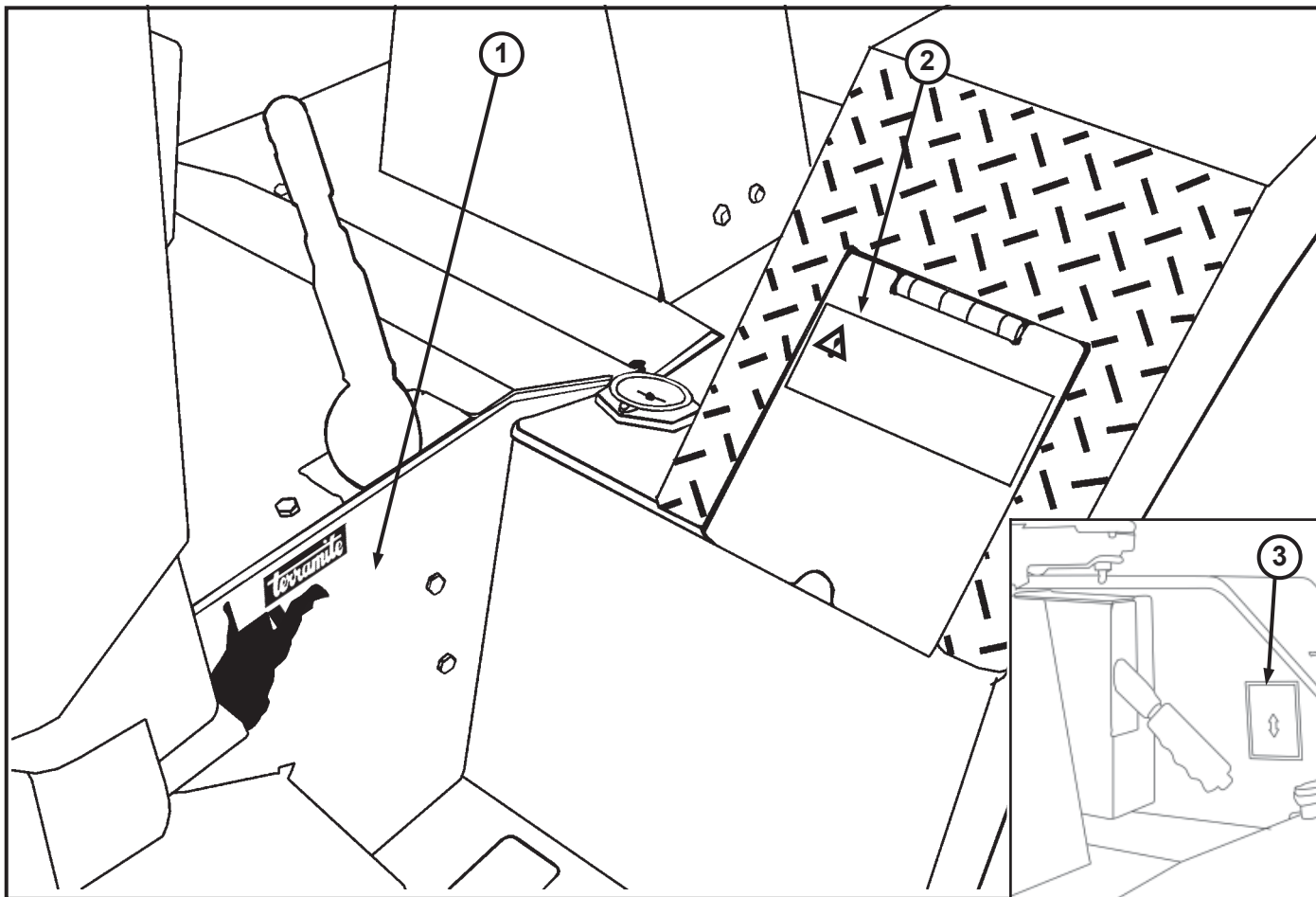
ITEM	PART NUMBER	DESCRIPTION	QTY.
1	14100	Decal, Pinch Point, T5C/T5D/T6/T7/T7/T9	2
2	14012	Decal, Serial Number Plate, T5D/T7/T9/SCR/Sweeper/Dozer	1
3	14201	Decal, Safety First, T5D/G/T6/T7/T9	1
4	14104	Decal, Work Lights, Plate F&R, T5D/T6/T7/T9	1
5	14105	Decal, Throttle Plate, T5D/T6/T7/T9	1
6	14053	Decal, Call Before U Dig	1
7	14204	Decal, Controls, Front Bucket, T5D/T6/T7/T9	1

Decal Location - Right Fender



ITEM	PART NUMBER	DESCRIPTION	QTY.
1	14017	Decal, Oil, Citgo/Terramite, T5C/T5D/T6/T7/T9	1
2	14098	Decal, Caution, Hydraulic Premature Failure, T5C/T5D/T6/T7/T9 2WD	1

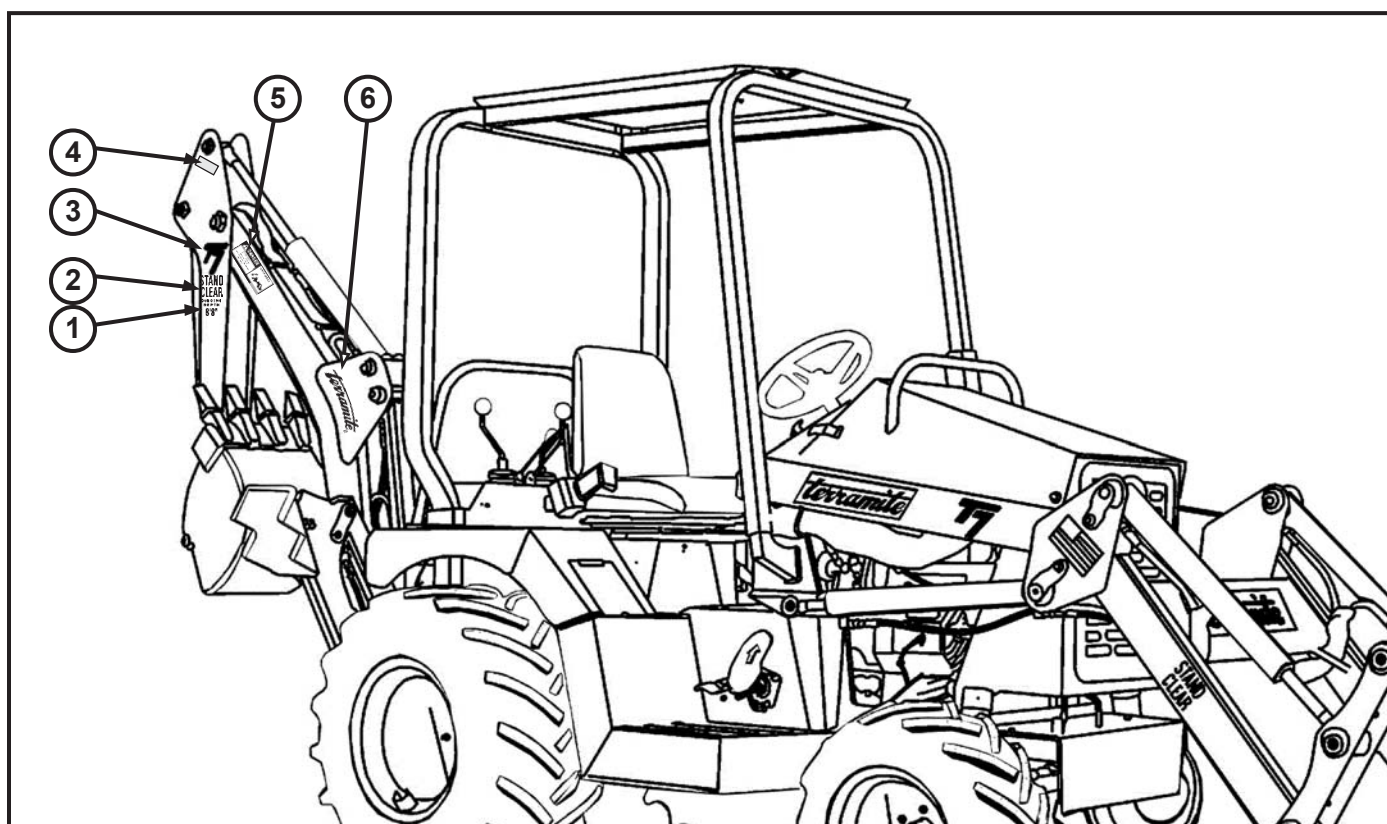
Decal Location - Left Fender



<p>①</p> <p>MADE IN: CHARLESTON, WEST VIRGINIA CALL TOLL FREE 800-428-3772</p>	<p>②</p> <div style="border: 1px solid black; padding: 5px; text-align: center;"> <p>⚠ DANGER</p> <p>DIESEL FUEL ONLY</p> <p>NO SMOKING NO OPEN FLAMES</p> </div>	<p>③</p> <div style="border: 1px solid black; padding: 5px; text-align: center;"> <p>PARKING BRAKE</p> <p>Engage</p> <p>↕</p> <p>Disengage</p> <p><small>Terramite Corp. 1-400.76</small></p> </div>
--	--	---

ITEM	PART NUMBER	DESCRIPTION	QTY.
1	14070	Decal, Black, W.V., T5C/T5D/T6/T7/T9/Sweeper	1
2	14071	Decal, Diesel Fuel Only, T5C/T5D/T6/T7/T9	1
2	14051	Decal, Gasoline Only, T5C/T5D/T7	1
3	14076	Decal, Parking Brake	1

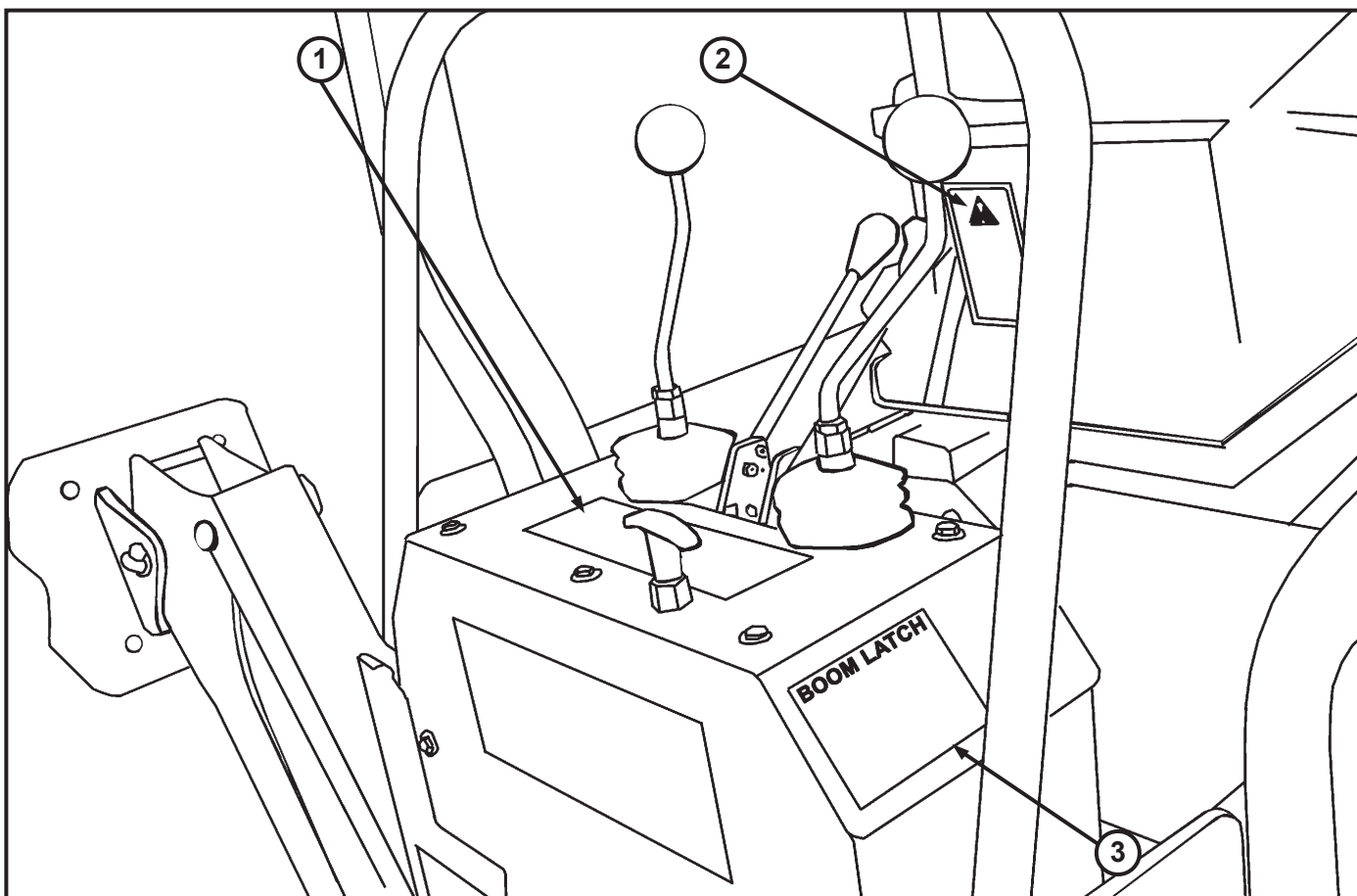
Decal Location Side View (continued)



① DIGGING DEPTH 8'8"	② STAND CLEAR	③ 
④ 	⑤ 	⑥ 

ITEM	PART NUMBER	DESCRIPTION	QTY.
1	14093	Decal, Digging Depth 8'8", T5D/T7	2
2	14004	Decal, Stand Clear Red, T5C/T5D/T6/T7/T9	4
3	14159	Decal, Black, Large, T7	2
4	14022	Decal, Reflector, Red, T5C/T5D/T6/T7/T9	2
5	14054	Decal, Warning, Crush Hazard, T5C/T5D/T6/T7/T9	2
6	14107	Decal, Black, Radius, Terramite, T6/T9	2

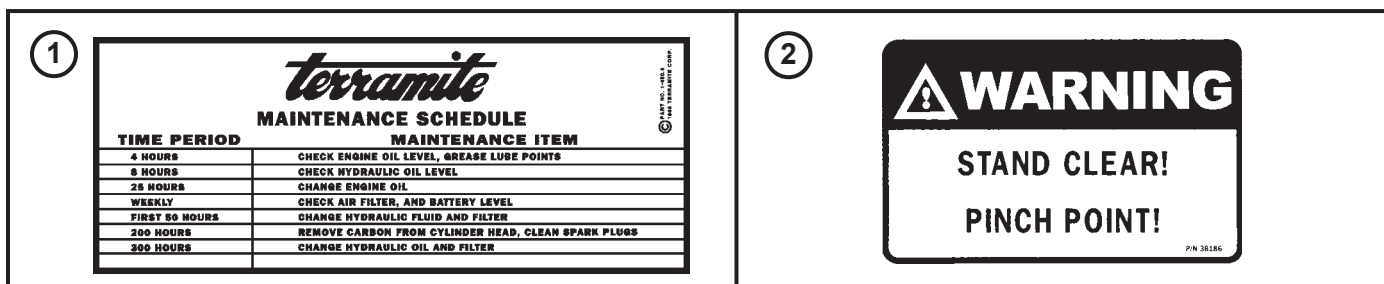
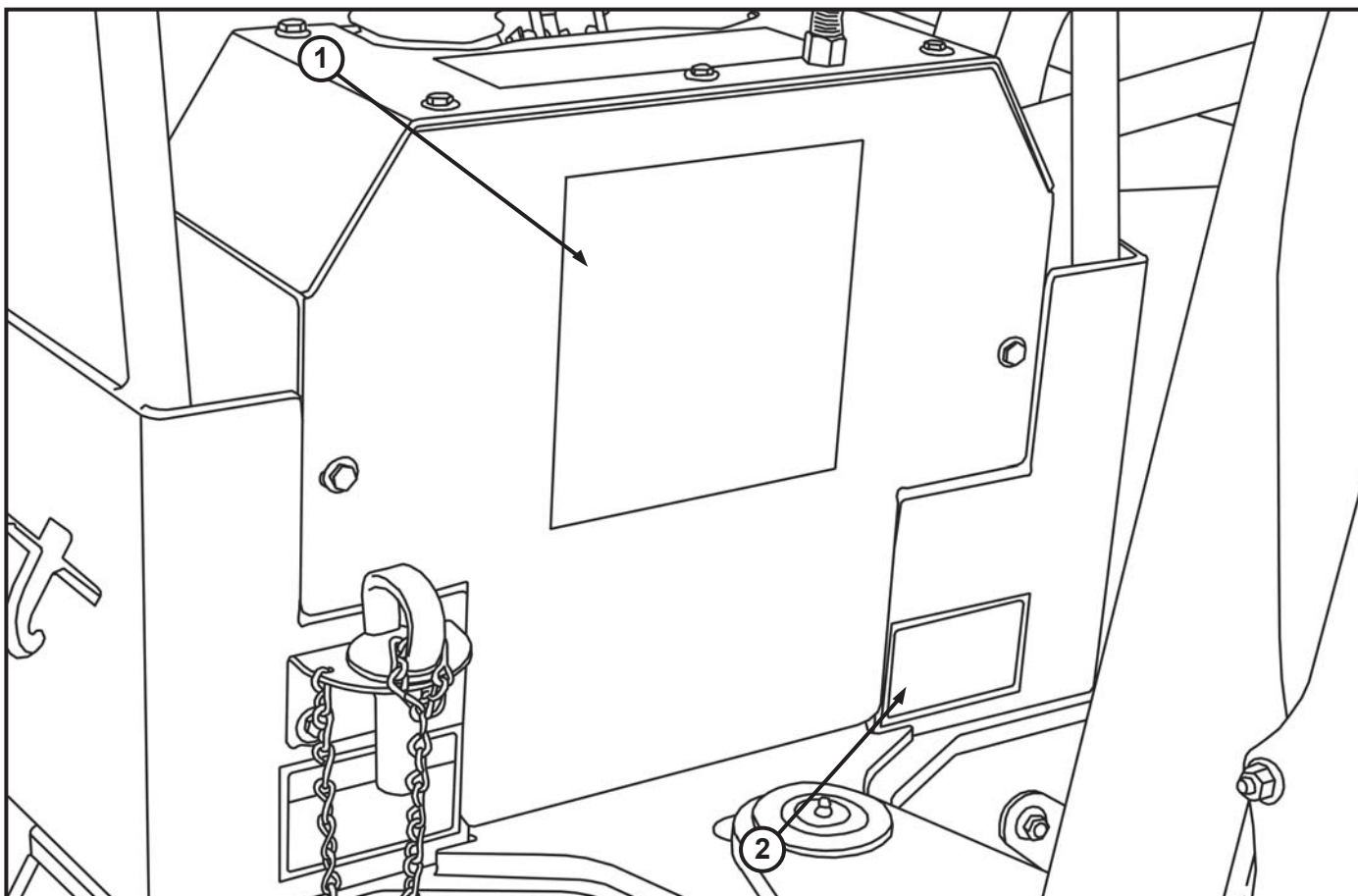
Decal Location - Rear Valve



<p style="text-align: center;">①</p> <div style="border: 1px solid black; padding: 5px; text-align: center;"> <p>A OPERATING DANGERS <small>READ OWNER'S MANUAL BEFORE USING THE MACHINE</small></p> <p>1. KEEP BYSTANDERS AWAY FROM WORK AREA. 2. OPERATE CONTROLS ONLY FROM SEAT. 3. KEEP FEET ON FOOT GUARDS AT ALL TIMES. 4. SET GRABER SHOULD BE 10 THROTTLE OR LESS. (INCREASING SPEED DOES NOT INCREASE POWER). 5. DO NOT DIG UNDER THE MACHINE OR STABILIZERS. 6. WHEN DIGGING ON A HILL, ALWAYS DUMP ON THE DOWN HILL SIDE. 7. REMAIN OFF UNDERGROUND & OVERHEAD UTILITIES.</p> </div>	<p style="text-align: center;">②</p> <div style="border: 1px solid black; padding: 5px; text-align: center;"> <p>READ OWNER'S MANUAL BEFORE OPERATING</p> </div>	<p style="text-align: center;">③</p> <div style="border: 1px solid black; padding: 5px;"> <p style="text-align: center;">BOOM LATCH</p> <p>TO ENGAGE BOOM LATCH</p> <ol style="list-style-type: none"> 1. Raise boom to full UP position 2. Using control cable, lower boom latch onto pins 3. Lower boom to lock position <p>TO DISENGAGE BOOM LATCH</p> <ol style="list-style-type: none"> 1. Raise boom to full UP position 2. Pull handle and turn clockwise to lock boom latch in disengaged position 3. Operate backhoe <p style="text-align: right; font-size: small;">TMC P/N 14112</p> </div>
--	---	---

ITEM	PART NUMBER	DESCRIPTION	QTY.
1	14284	Decal, Operator Danger T7/T9	1
2	14207	Decal, Vertical, Read Owners Manual, T5C/T5D/T6/T7/T9	1
3	14112	Decal, Boom Latch Operator, T7/T9	1

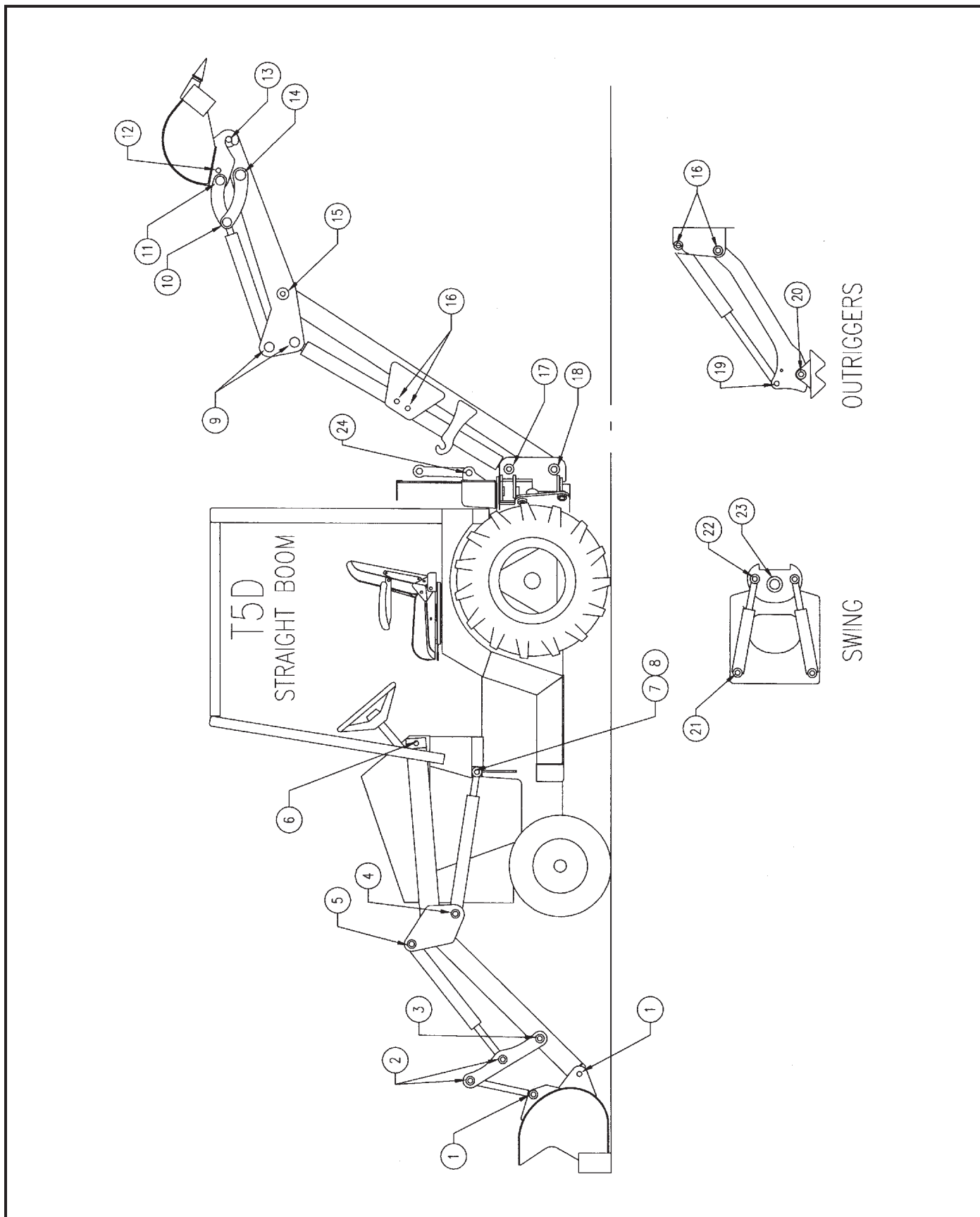
Decal Location - Rear Valve (Continued)



ITEM	PART NUMBER	DESCRIPTION	QTY.
1	14510	Decal, Maintenance Diesel Only	1
	14005	Decal, Maintenance Gas Only	
2	38186	Decal, Pinch Point, Stand Clear, T7/T9/Sweeper	2

		PAINT	
08026	Paint, Yellow, Spray Can	Dupont Paint Code #G 9325A	1
08037	Paint, Gray, Spray Can		1

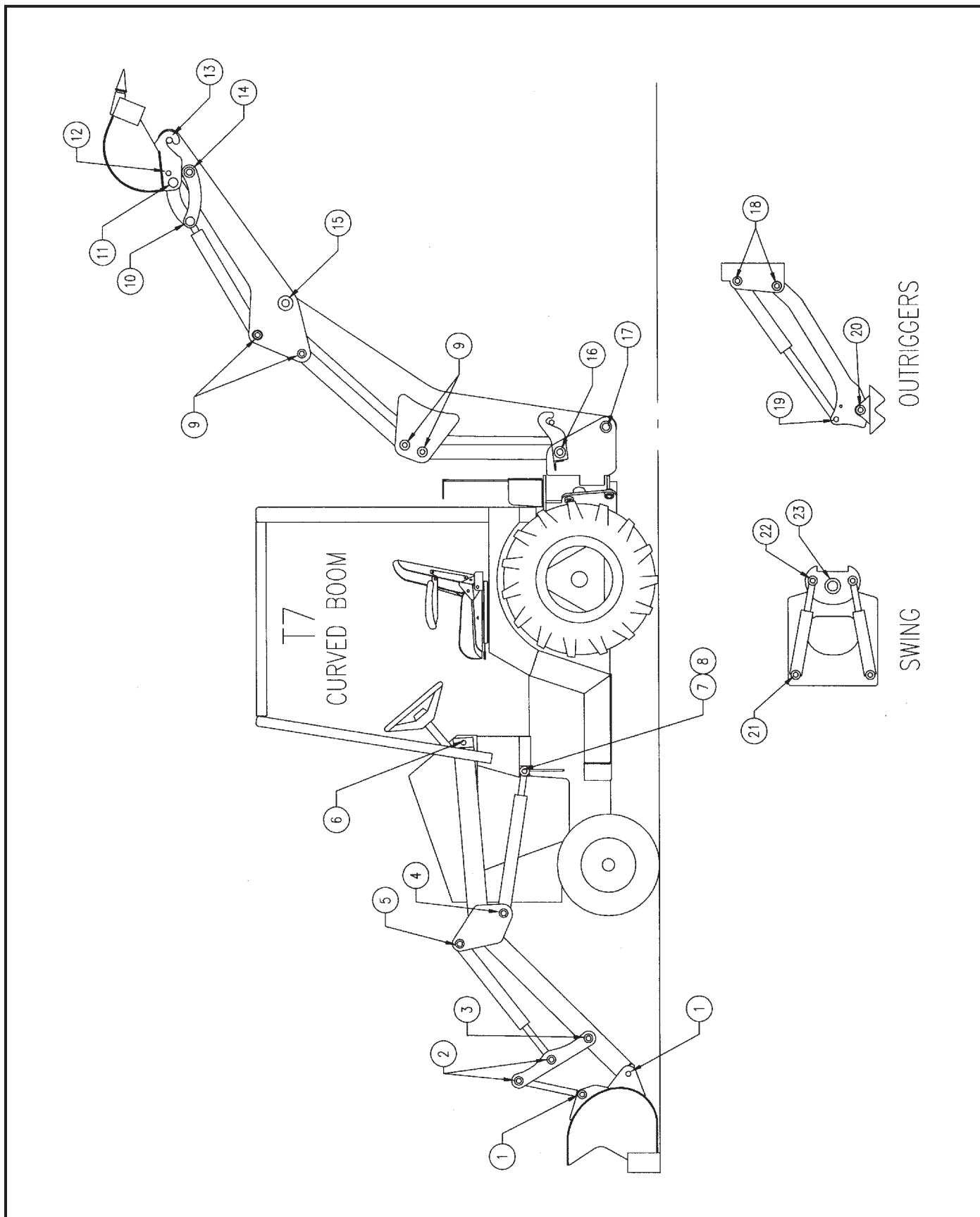
T5D/T7 Pin Chart (Straight Boom)



T5D/T7 Pin Chart (Straight Boom)

T5D PINS			
ITEM	P/N	DESCRIPTION	SIZE
1	13200	FRONT BUCKET/ARMS	1" x 4 3/4"
2	17176	ARM LINK/ARM CYLINDER	1" x 5 1/2"
3	17178	ARM LINK/ARM - TAPPED	1" x 5 1/2"
4	17179	ARM BUCKET/FRONT CURL	1" x 5 1/2"
5	12600	ARM CYLINDER/ARMS	1" x 5 1/4"
6	12300	ARM/FRAME	1" x 6 7/8"
7	12301	ARM CYLINDER/FRAME	1" x 7 7/8"
8	17198	ARM/CYLINDER/FRAME	1" x 8 1/2"
9	10700	CROWD & REAR CURL CYLINDER/DIPPER	1" x 6 7/8"
10	17031	LINKAGE CURL/CYLINDER	1" x 7 3/8"
11	10206	R.C. CYLINDER/BUCKET Q.D. & BOOM LATCH	1" x 6 1/2"
12	19072	REAR BUCKET PULL	1" x 8 1/2"
13	17190	Q.A. BUCKET	1 1/4" x 8 1/4"
14	10812	DIP/LINKAGE	1 1/4" x 7 5/8"
15	10701	BOOM/DIPPER	1 1/4" x 7 1/4"
16	11100	CRD-BM CYL/BM,O.R/FRAME	1" x 6 1/4"
17	10410	BOOM CYL./SWING	1 1/4" x 7 3/4"
18	10400	DIP/BKT,BOOM/SWING	1 1/4" x 8 1/4"
19	11502	OUTRIGGERS	1" x 4 1/8"
20	17156	OUTRIGGER PAD - PULL PIN	1" x 5 1/4"
21	17020	SWING CYL/FRAME	1" x 6 5/8"
22	15300	SWING CYL/SWING	1" x 4 1/8"
23	11140	SWING	1 1/4" x 18"
24	17174	BOOM LOCK	1 1/4" x 11"

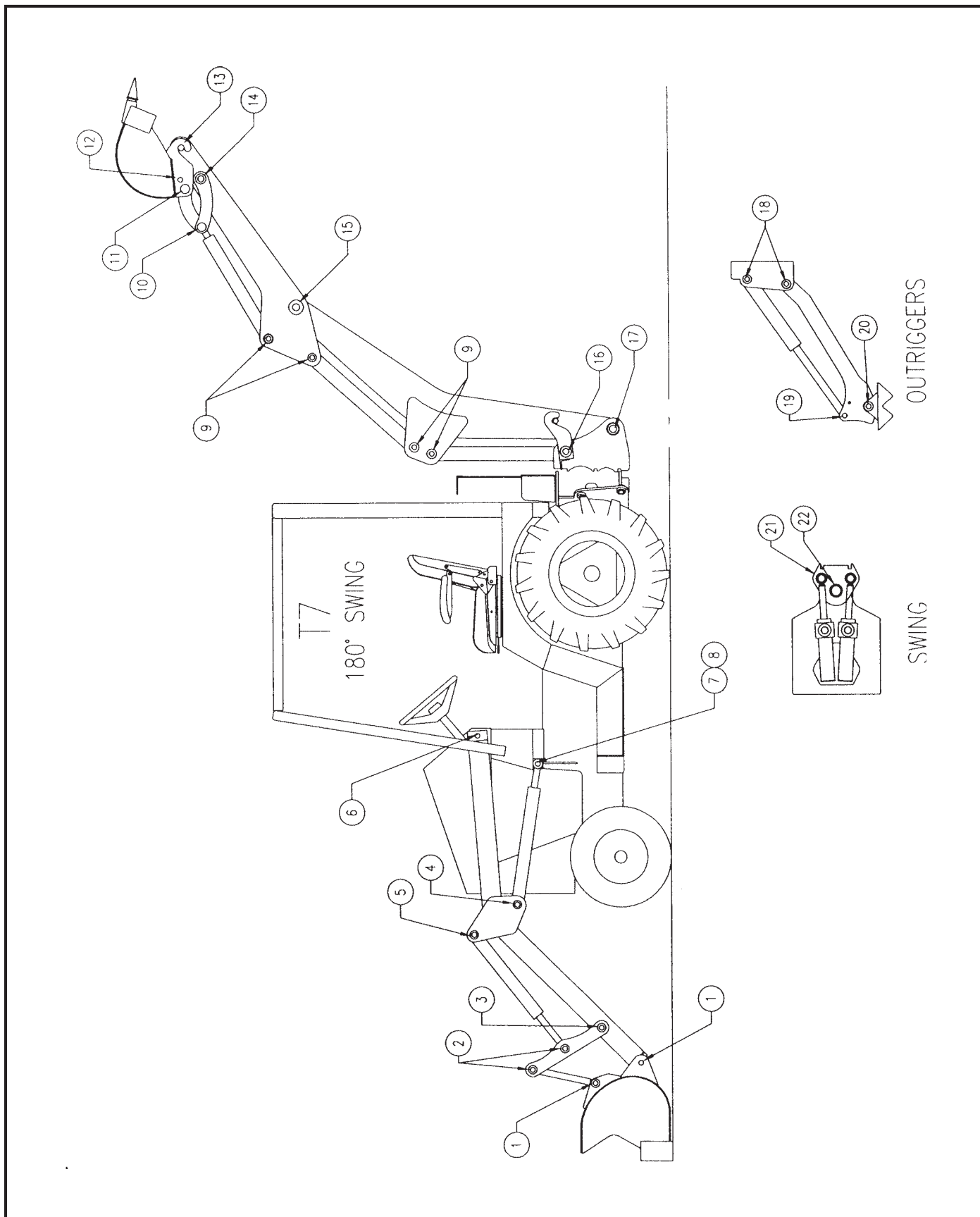
T7 Pin Chart (Curved Boom Prior 1/1/01)



T7 Pin Chart (Curved Boom Prior 1/1/01)

T7 CURVED BOOM PINS			
ITEM	P/N	DESCRIPTION	SIZE
1	13200	FRONT BUCKET/ARMS	1" x 4 3/4"
2	17176	ARM LINK/ARM CYLINDER	1" x 5 1/2"
3	17178	ARM LINK/ARM - TAPPED	1" x 5 1/2"
4	17179	ARM BUCKET/FRONT CURL	1" x 5 1/2"
5	12600	ARM CYLINDER/ARMS	1" x 5 1/4"
6	12300	ARM/FRAME	1" x 6 7/8"
7	12301	ARM CYLINDER/FRAME	1" x 7 7/8"
8	17198	ARM/CYLINDER/FRAME	1" x 8 1/2"
9	10700	CROWD & REAR CURL CYLINDER/DIPPER	1" x 6 7/8"
10	17031	LINKAGE CURL/CYLINDER	1" x 7 3/8"
11	10206	R.C. CYLINDER/BUCKET Q.D. & BOOM LATCH	1" x 6 1/2"
12	19072	REAR BUCKET PULL	1" x 8 1/2"
13	17190	Q.A. BUCKET	1 1/4" x 8 1/4"
14	10812	DIP/LINKAGE	1 1/4" x 7 5/8"
15	10701	BOOM/DIPPER	1 1/4" x 7 1/4"
16	10416	BOOM CYL./SWING	1 1/4" x 7 3/4"
17	10400	BOOM/SWING	1 1/4" x 8 1/4"
18	11100	CRD-BM CYL/BM,O.R/FRAME	1" x 6 1/4"
19	11502	OUTRIGGERS	1" x 4 1/8"
20	17156	OUTRIGGER PAD - PULL PIN	1" x 5 1/4"
21	17020	SWING CYL/FRAME	1" x 6 5/8"
22	15300	SWING CYL/FRAME	1" x 4 1/8"
23	11140	SWING	1 1/4" x 18"

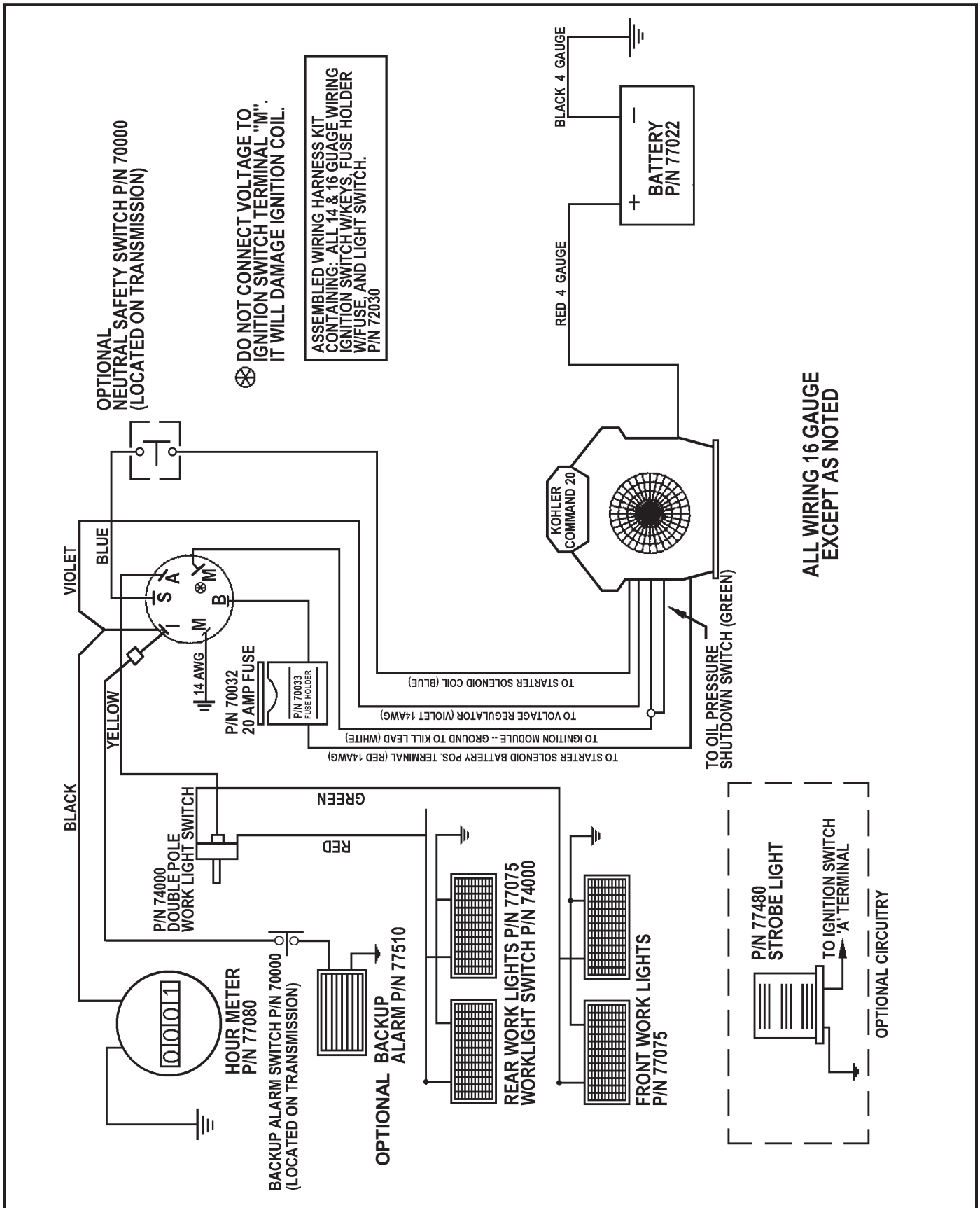
T7 Pin Chart (180 Degree Boom)



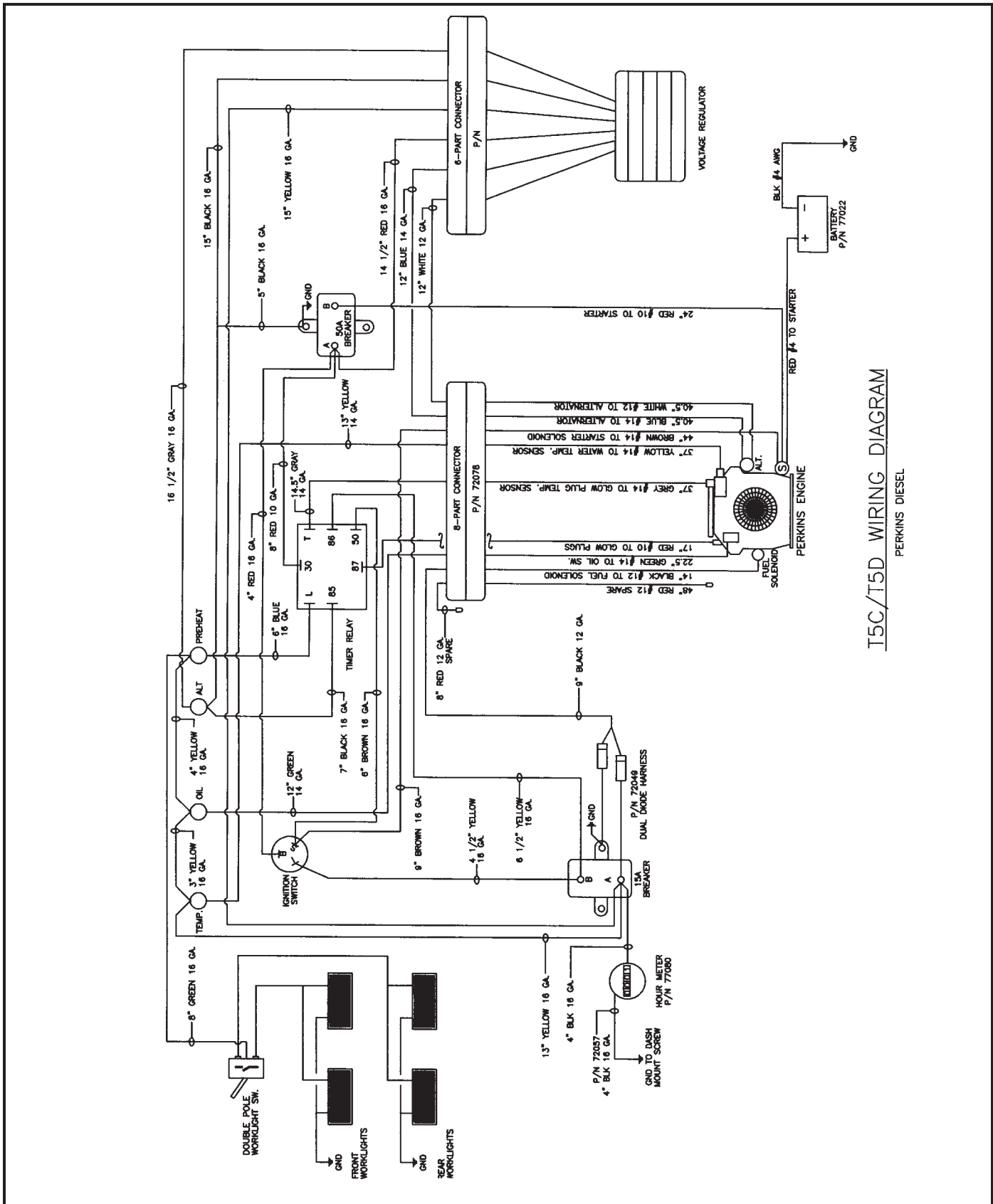
T7 Pin Chart (180 Degree Boom)

T7 CURVED BOOM PINS			
ITEM	P/N	DESCRIPTION	SIZE
1	13200	FRONT BUCKET/ARMS	1" x 4 3/4"
2	17176	ARM LINK/ARM CYLINDER	1" x 5 1/2"
3	17178	ARM LINK/ARM - TAPPED	1" x 5 1/2"
4	17179	ARM BUCKET/FRONT CURL	1" x 5 1/2"
5	12600	ARM CYLINDER/ARMS	1" x 5 1/4"
6	12300	ARM/FRAME	1" x 6 7/8"
7	12301	ARM CYLINDER/FRAME	1" x 7 7/8"
8	17198	ARM/CYLINDER/FRAME	1" x 8 1/2"
9	10700	CROWD & REAR CURL CYLINDER/DIPPER	1" x 6 7/8"
10	17031	LINKAGE CURL/CYLINDER	1" x 7 3/8"
11	10206	R.C. CYLINDER/BUCKET Q.D. & BOOM LATCH	1" x 6 1/2"
12	19072	REAR BUCKET PULL	1" x 8 1/2"
13	17190	Q.A. BUCKET	1 1/4" x 8 1/4"
14	10812	DIP/LINKAGE	1 1/4" x 7 5/8"
15	10701	BOOM/DIPPER	1 1/4" x 7 1/4"
16	17208	BOOM CYL./SWING	1 1/4" x 8 1/4"
17	10406	BOOM/SWING	1 1/2" x 7 1/4"
18	11100	CRD-BM CYL/BM,O.R/FRAME	1" x 6 1/4"
19	11502	OUTRIGGERS	1" x 4 1/8"
20	17156	OUTRIGGER PAD - PULL PIN	1" x 5 1/4"
21	17244	SWING CYL/FRAME	1 1/4" x 5 1/2"
22	17253	SWING CYL/SWING	1 1/2" x 4 3/4"

Wiring Diagram Kohler Command 20 HP/ 25 HP

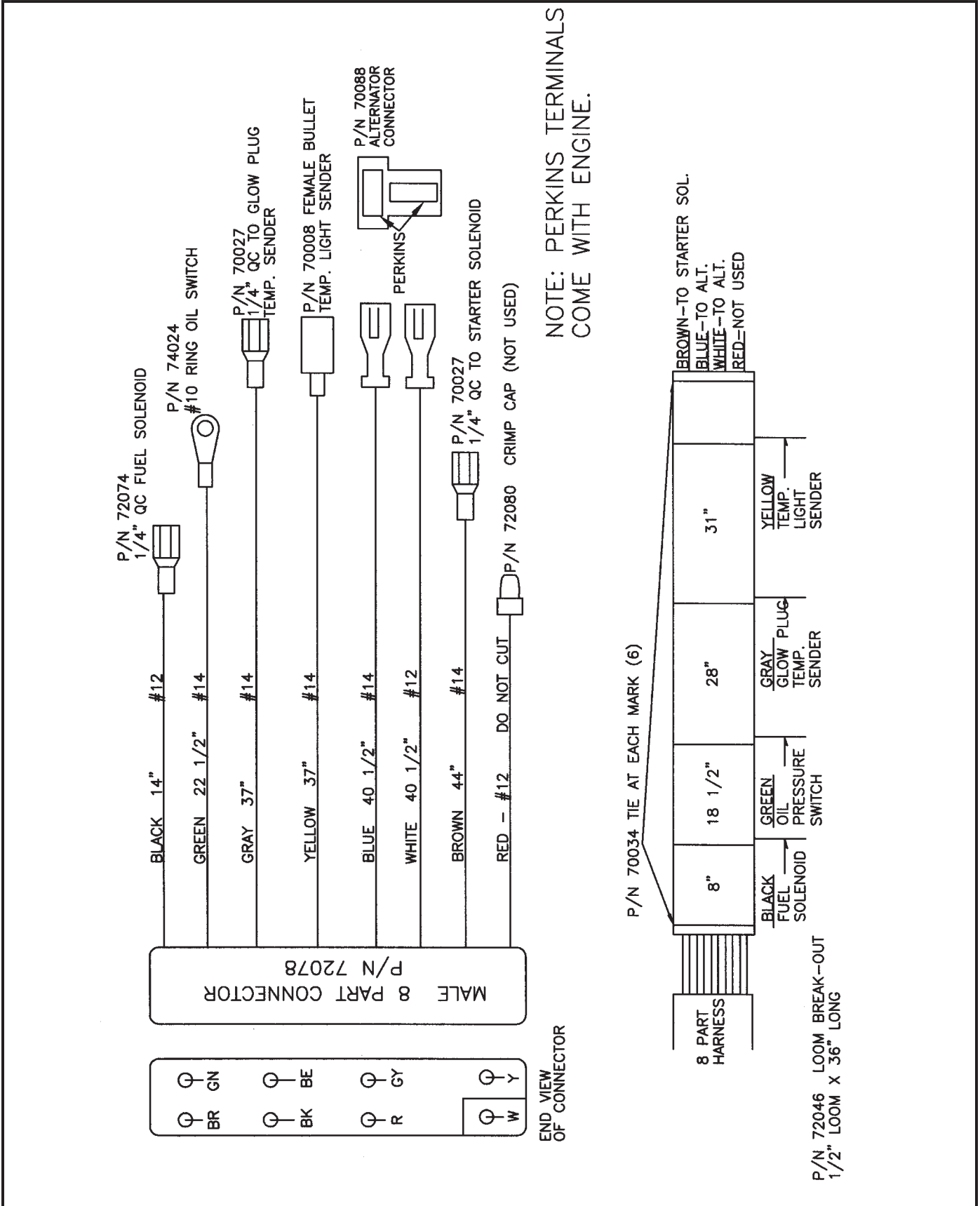


Wiring Diagram Perkins Diesel 20HP



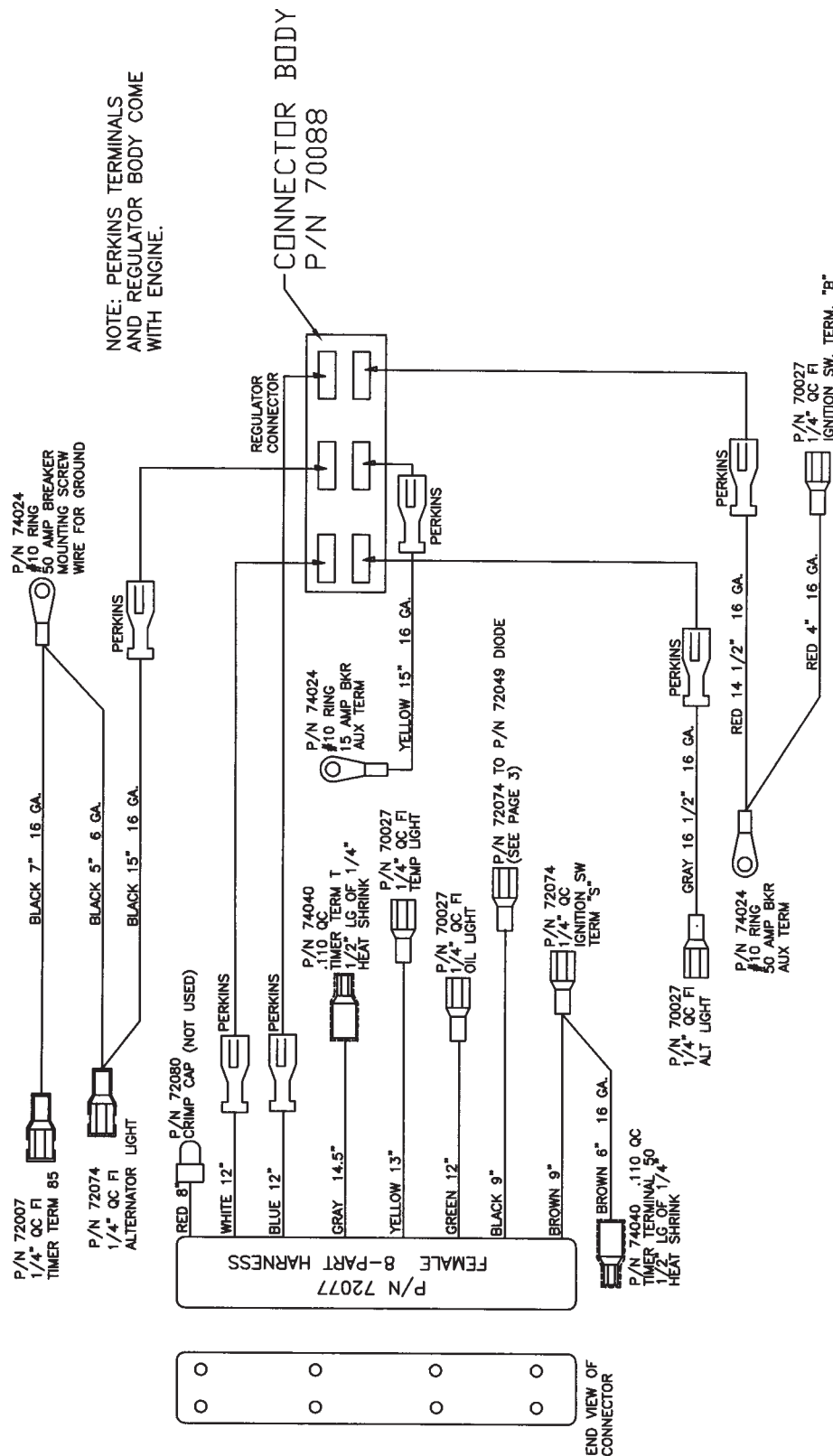
T5C/T5D WIRING DIAGRAM
PERKINS DIESEL

Wiring Diagram Perkins Terminals



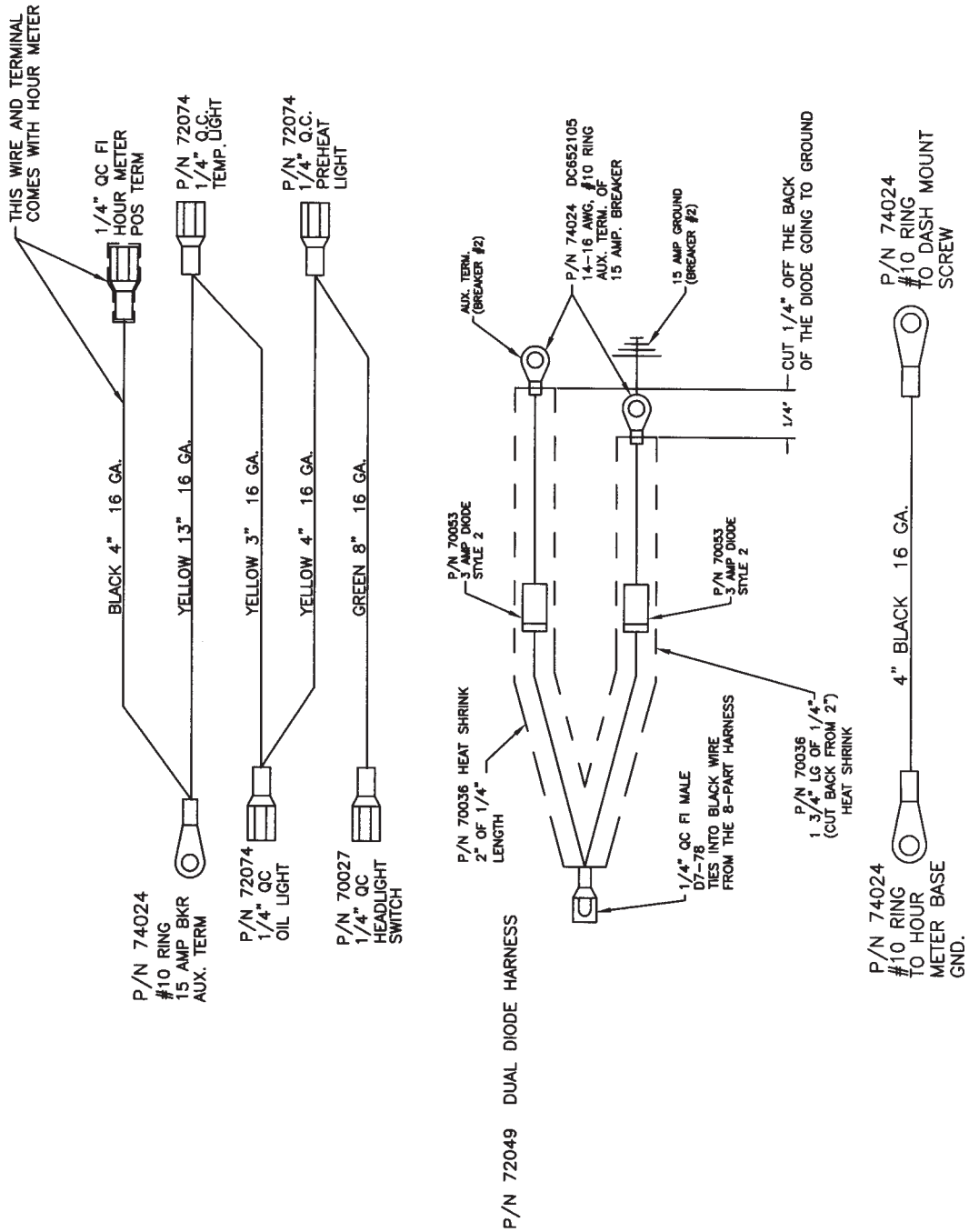
Wiring Diagram Perkins Diesel Dash Harness

PERKINS T5C/T7 DASH HARNESS - SHEET 1 OF 4



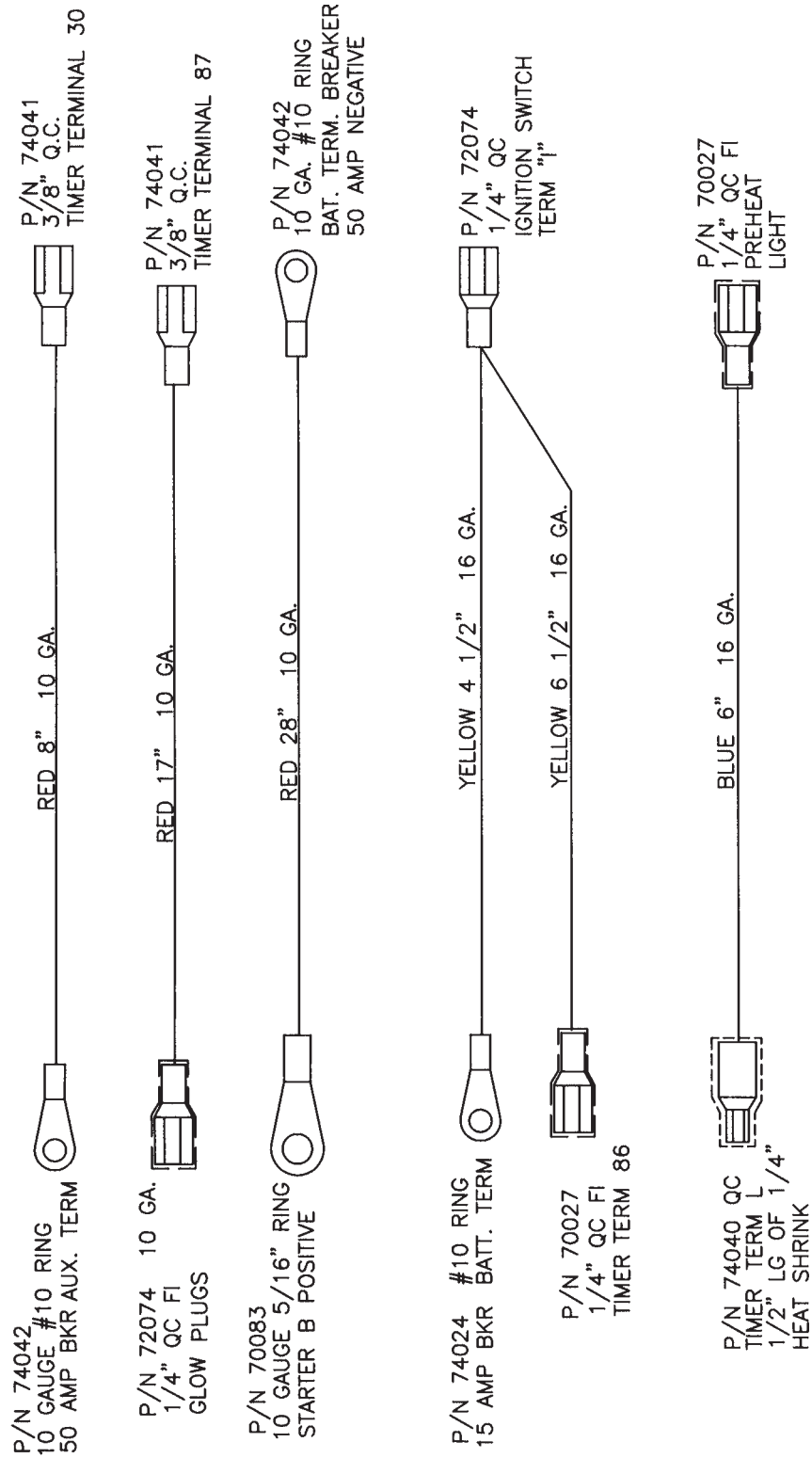
Wiring Diagram Perkins Diesel Dash Harness (Continued)

PERKINS T5C/T7 DASH HARNESS - SHEET 2 OF 4



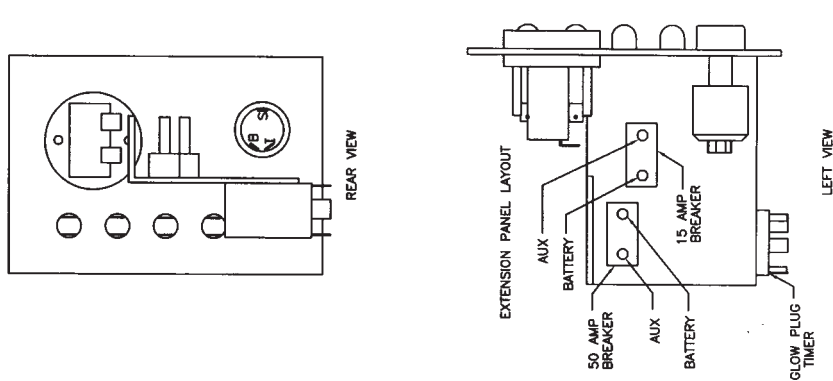
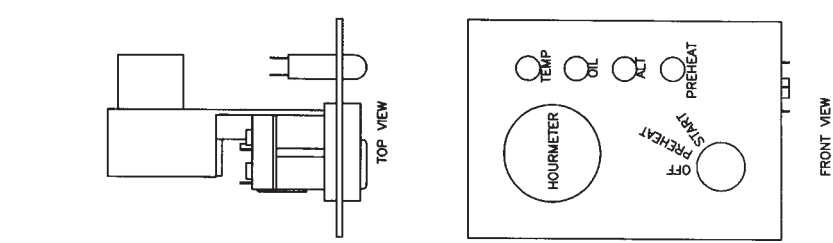
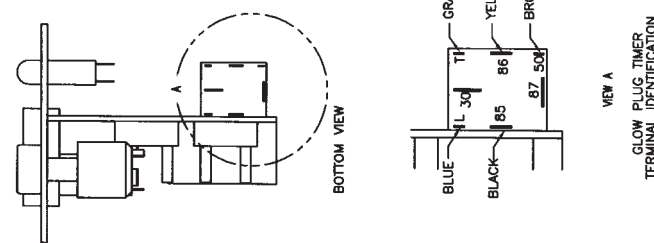
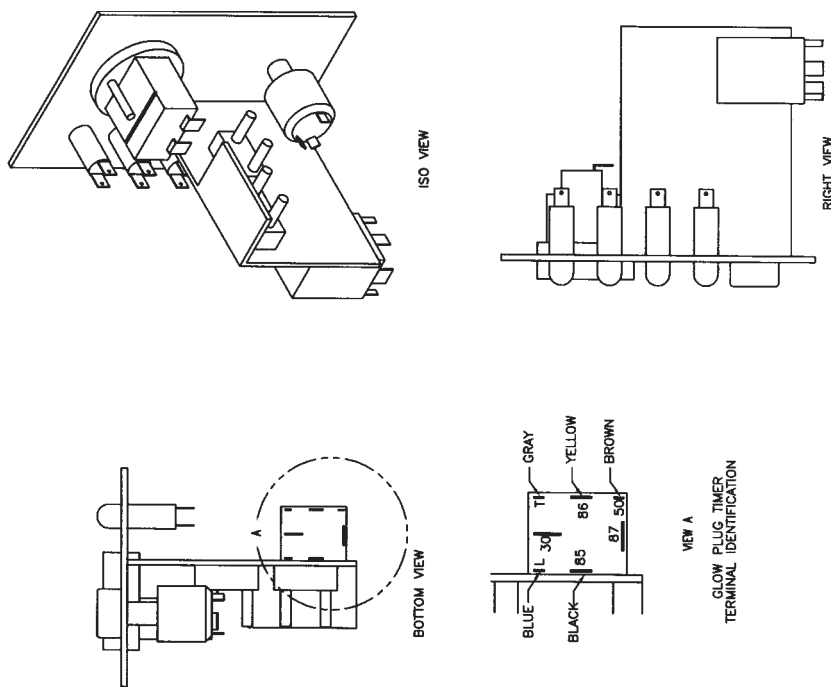
Wiring Diagram Perkins Diesel Dash Harness (Continued)

PERKINS T5C/T7 DASH HARNESS – SHEET 3 OF 4



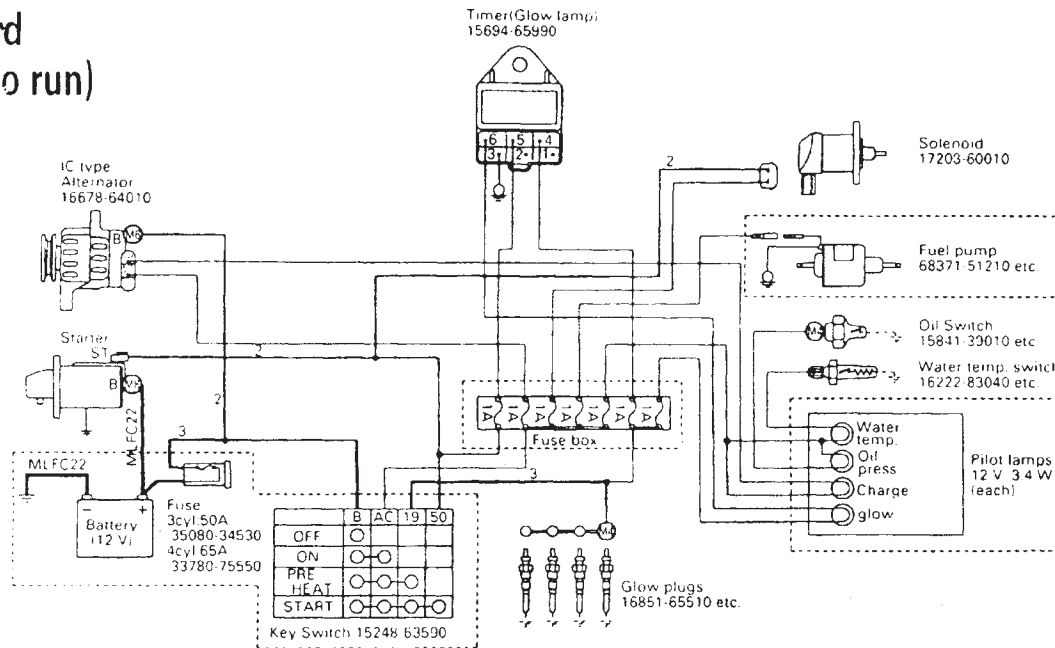
Wiring Diagram Perkins Diesel Dash Harness (Continued)

PERKINS T5C/T7 DASH HARNESS - SHEET 4 OF 4



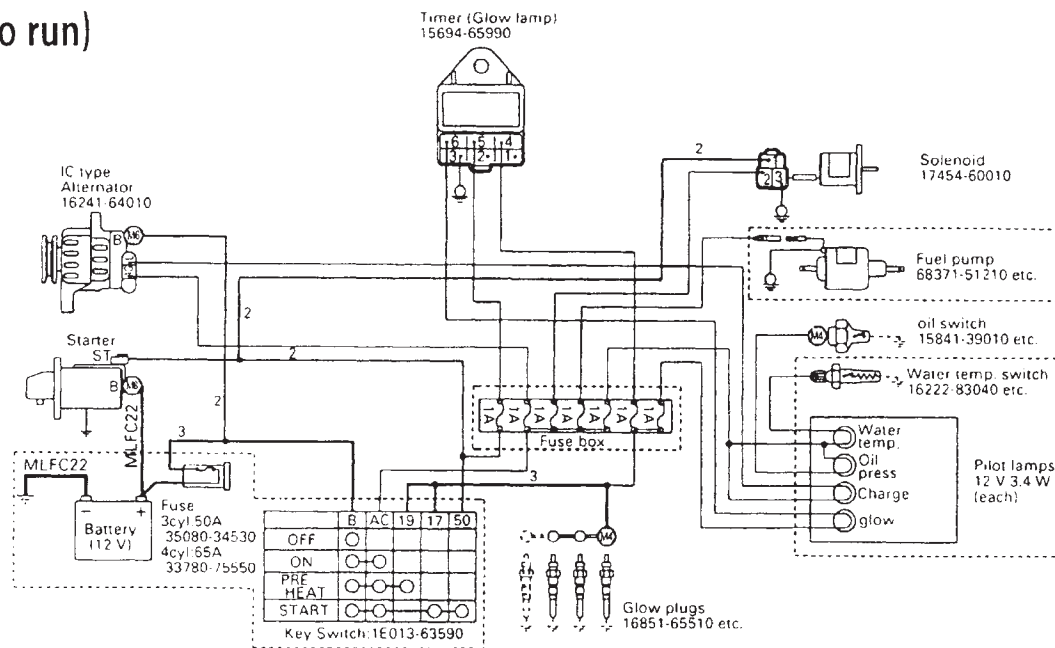
Wiring Diagram Kubota

EC standard (Energize to run)

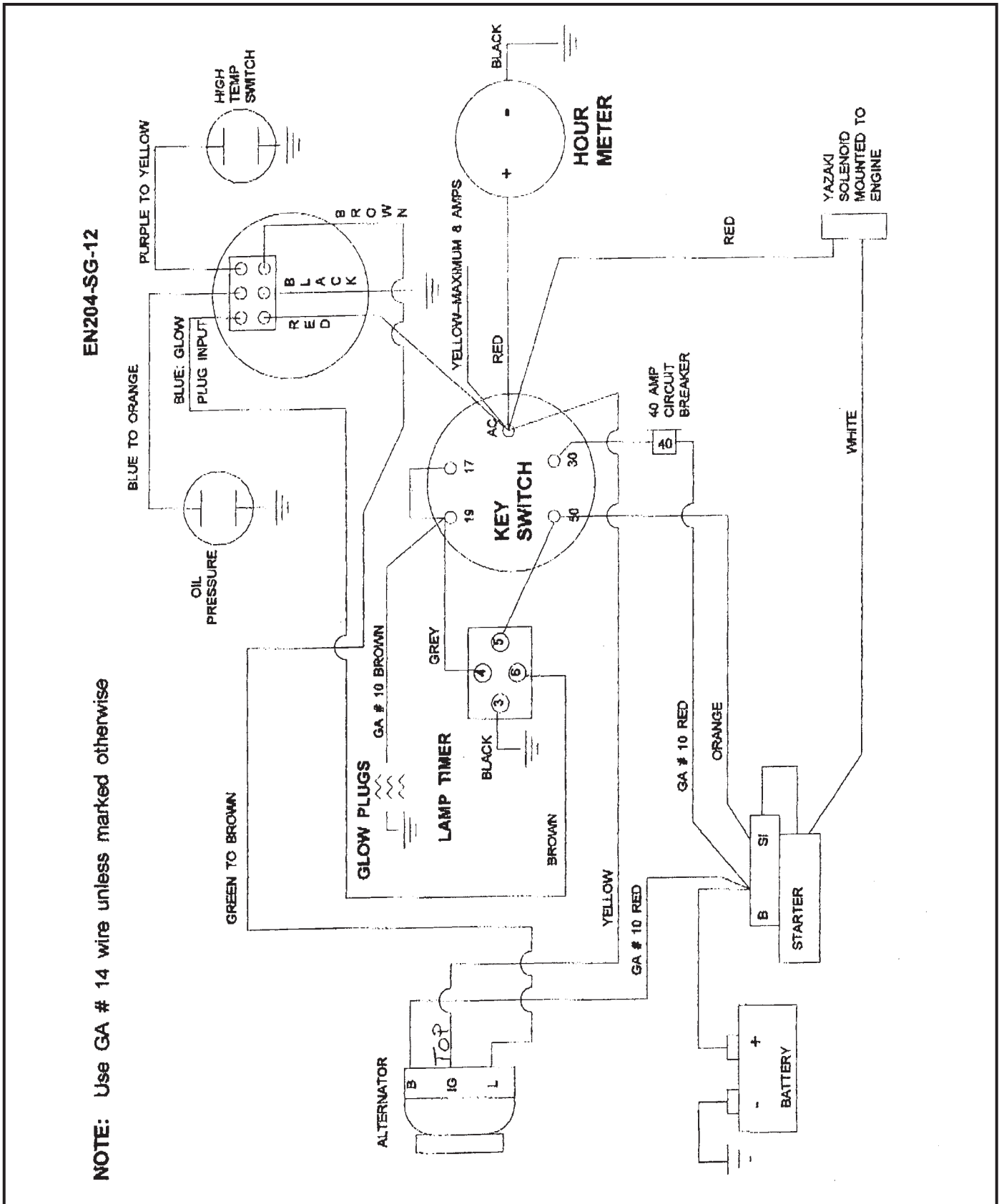


- ★ The parts boxed in [] are reference, NOT equiped for standard engine spec.
- ★ Non marked wire dia. is 0.8~1.25 mm².

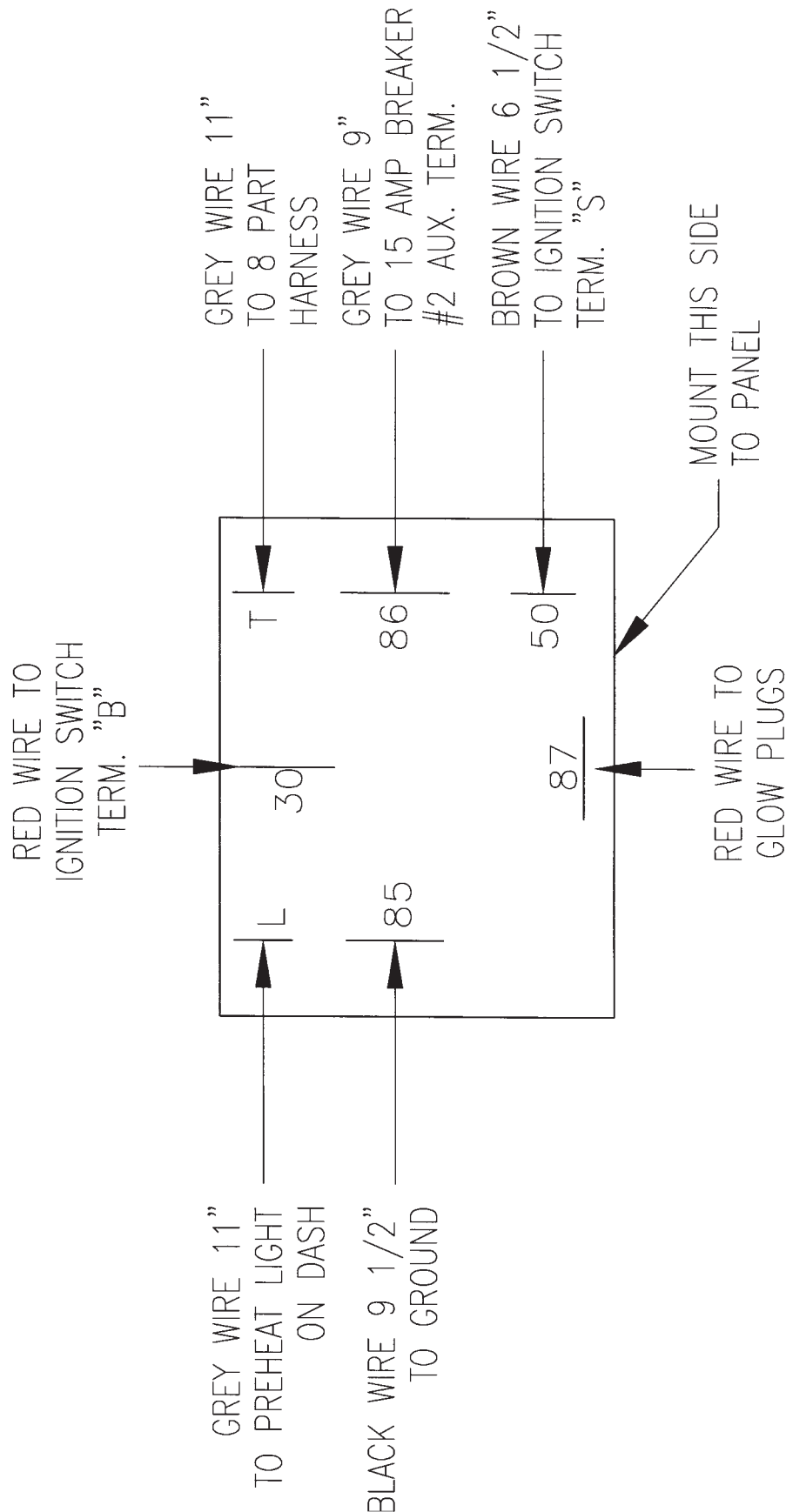
KTC/SAE standard (Energize to run)



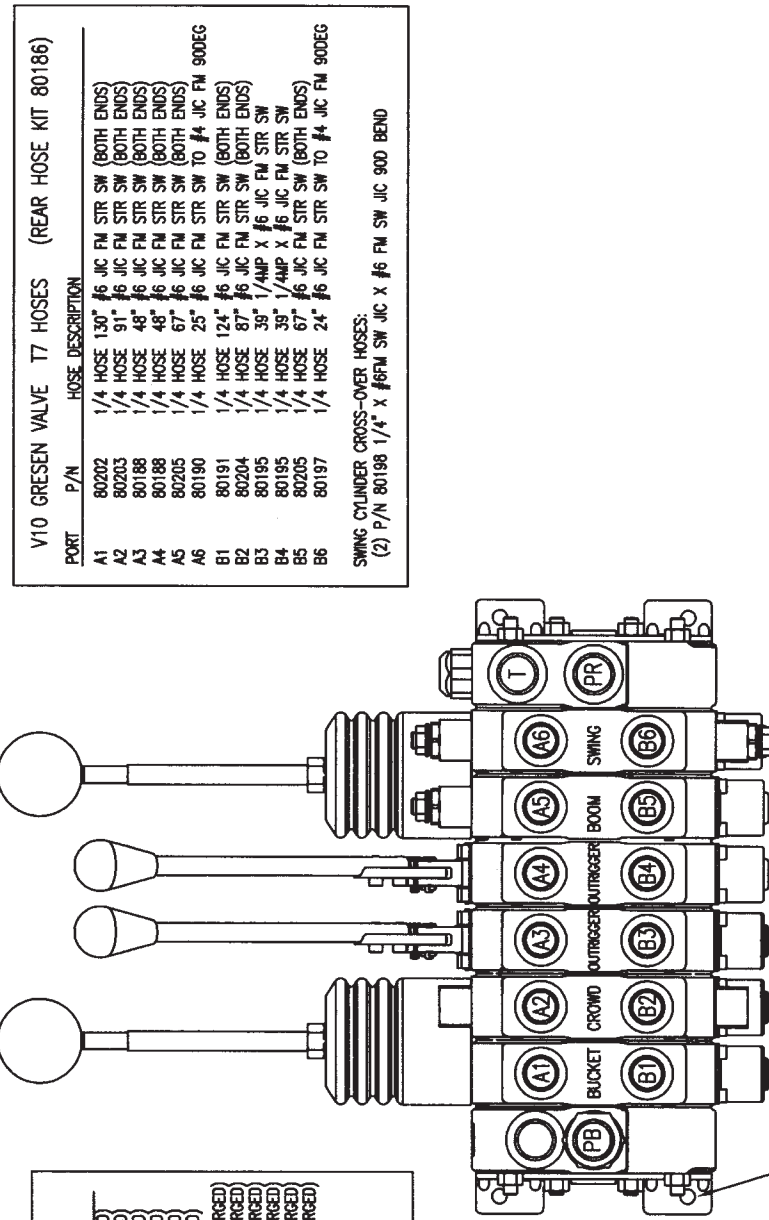
Wiring Diagram Kubota



P/N 70038 GLOW PLUG TIMER RELAY



Hose and Fitting Location for V10 Valve (180 Swing)



PORT	P/N	HOSE DESCRIPTION	T7 HOSES (REAR HOSE KIT 80186)
A1	80202	1/4 HOSE 130" #6 JIC FM STR SW (BOTH ENDS)	
A2	80203	1/4 HOSE 91" #6 JIC FM STR SW (BOTH ENDS)	
A3	80188	1/4 HOSE 48" #6 JIC FM STR SW (BOTH ENDS)	
A4	80188	1/4 HOSE 48" #6 JIC FM STR SW (BOTH ENDS)	
A5	80205	1/4 HOSE 67" #6 JIC FM STR SW (BOTH ENDS)	
A6	80190	1/4 HOSE 25" #6 JIC FM STR SW TO #4 JIC FM 90DEG	
B1	80191	1/4 HOSE 124" #6 JIC FM STR SW (BOTH ENDS)	
B2	80204	1/4 HOSE 87" #6 JIC FM STR SW (BOTH ENDS)	
B3	80195	1/4 HOSE 39" 1/4AMP X #6 JIC FM STR SW	
B4	80195	1/4 HOSE 39" 1/4AMP X #6 JIC FM STR SW	
B5	80205	1/4 HOSE 67" #6 JIC FM STR SW (BOTH ENDS)	
B6	80197	1/4 HOSE 24" #6 JIC FM STR SW TO #4 JIC FM 90DEG	

PORT	P/N	FITTING DESCRIPTION
A1	20156	#8 O-RING X #6 JIC90 LONG (FORGED)
A2	20156	#8 O-RING X #6 JIC90 LONG (FORGED)
A3	20156	#8 O-RING X #6 JIC90 LONG (FORGED)
A4	20156	#8 O-RING X #6 JIC90 LONG (FORGED)
A5	20156	#8 O-RING X #6 JIC90 LONG (FORGED)
A6	20156	#8 O-RING X #6 JIC90 LONG (FORGED)
B1	20149	#8MB O-RING X #6 JIC90 SHORT (FORGED)
B2	20149	#8MB O-RING X #6 JIC90 SHORT (FORGED)
B3	20149	#8MB O-RING X #6 JIC90 SHORT (FORGED)
B4	20149	#8MB O-RING X #6 JIC90 SHORT (FORGED)
B5	20149	#8MB O-RING X #6 JIC90 SHORT (FORGED)
B6	20149	#8MB O-RING X #6 JIC90 SHORT (FORGED)
PB	20039	#10 O-RING X #8 JIC90
T	20007	#10MB O-RING X 1/2FM PIPE
T	20192	#6 JIC90 X 1/2MP
PR	20039	#10MB O-RING X #8 JIC90

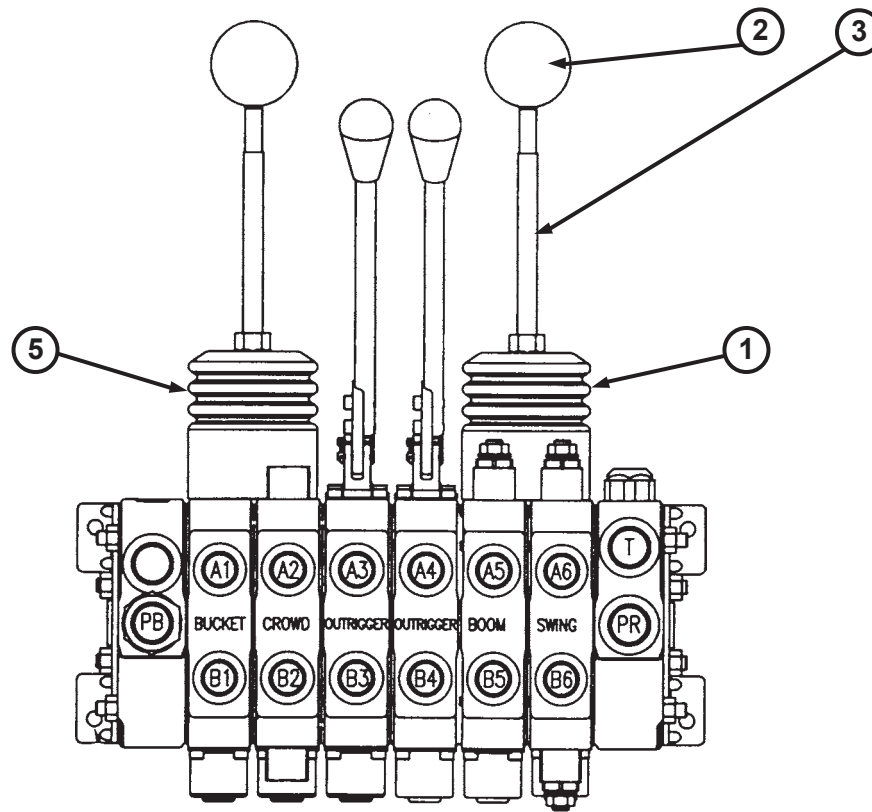
T7 180 SWING FITTINGS ASSEMBLED ON CYLINDERS		
CYLINDER	BARREL END FITTING P/N	ROD END FITTING P/N
SWING	20190	20030
OUTRG	NONE	20189
BOOM	20189	20189
CROWD	20189	20189
REAR CURL	20189	20189

HOSE KITS
T7 FRONT ARM HOSE KIT P/N 80135
T7 CENTER HOSE KIT P/N 80208

REAR VIEW OF V10 VALVE
(P/N 13152)

(4) SPACERS P/N 17251

View from Operators Position for V10 Valve (180 Swing)

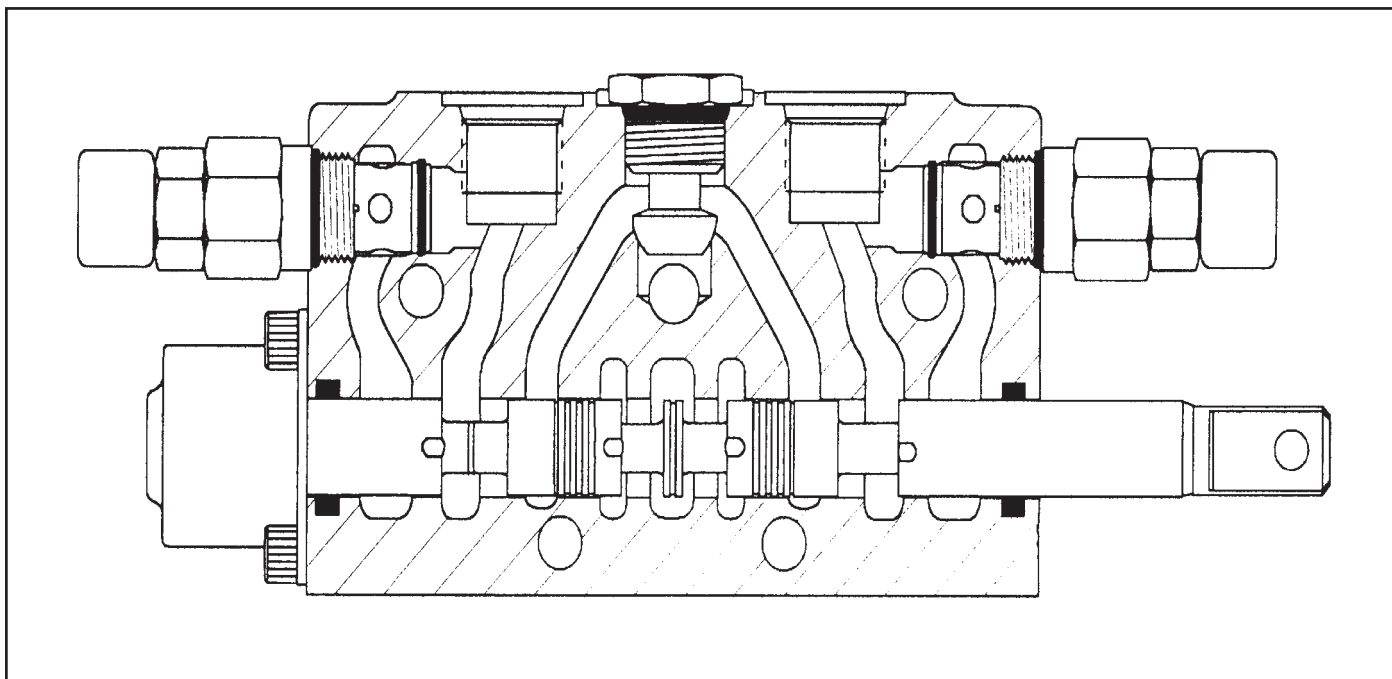


REAR VIEW OF V10 VALVE
(P/N 13152)

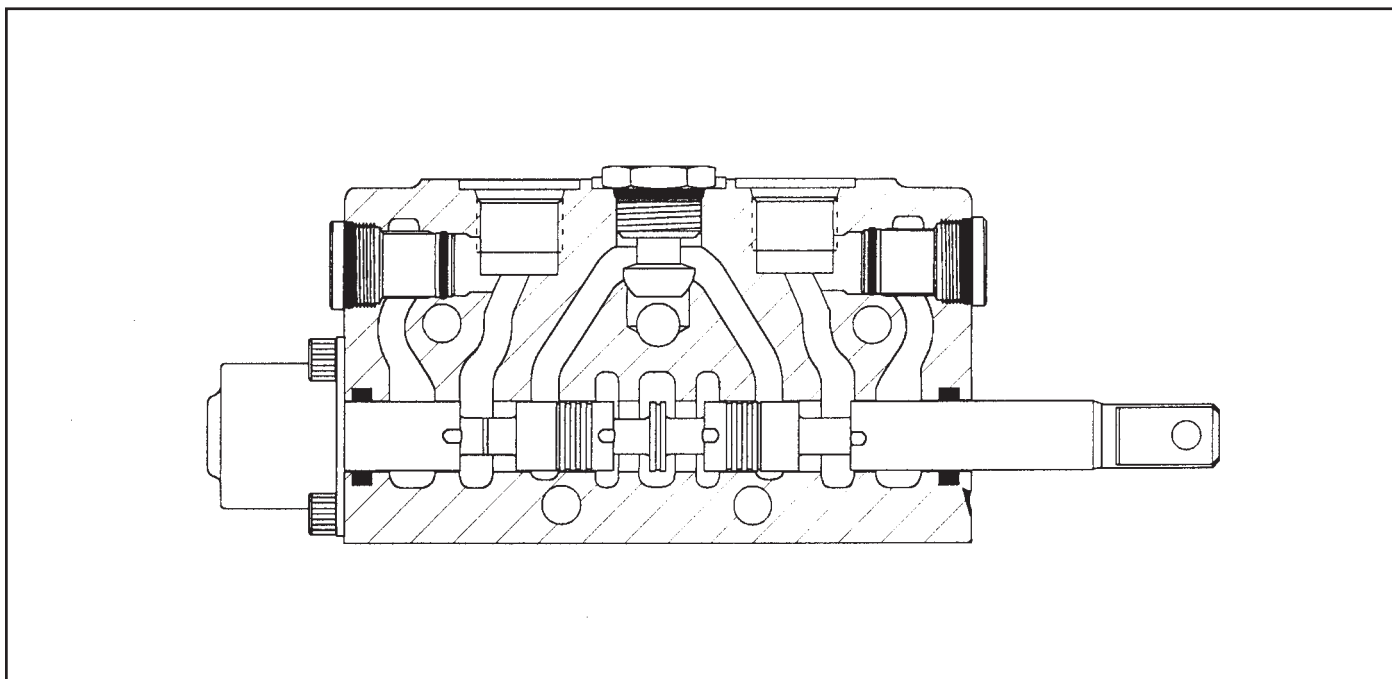
④ Seal Kit - 1 per section, 6 required

ITEM	PART NUMBER	DESCRIPTION	QTY.
1	84046	Kit RH Mech Pivot Section, RH, V10-1294	1
2	13942	Knob, Red Wobblestick Handle, Valve, T5C/T5D/T6/T7/T9	1
3	84045	Handle, Wobblestick, LH & RH v10-1294	1
4	85107	Kit, Section Seal, V10-1294	1
5	84047	Kit LH Mech Wobblestick, Pivot Section	1

Valve Section Service Kits V-10

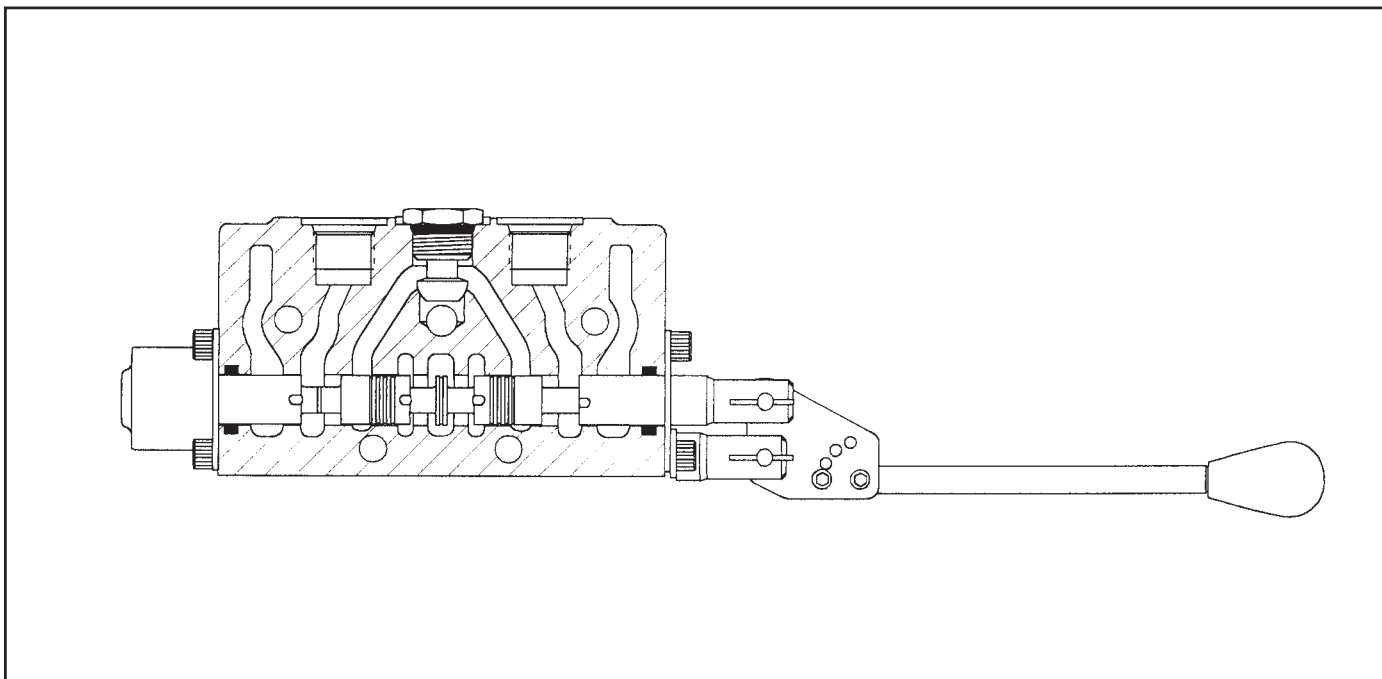


ITEM	PART NUMBER	DESCRIPTION	QTY.
1	85111	Valve Section 1, Work Components V10-1294	1

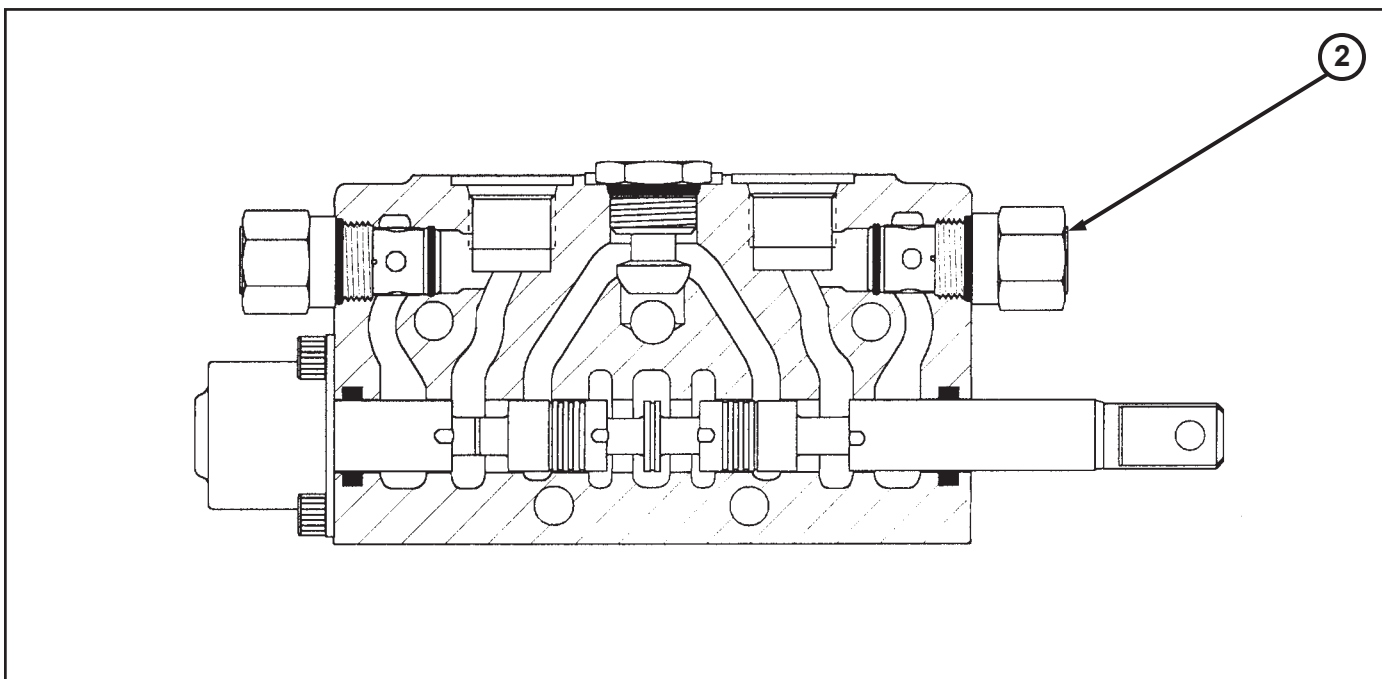


ITEM	PART NUMBER	DESCRIPTION	QTY.
1	85112	Valve Section 2, Work Components V10-1294	1

Valve Section Service Kits V-10

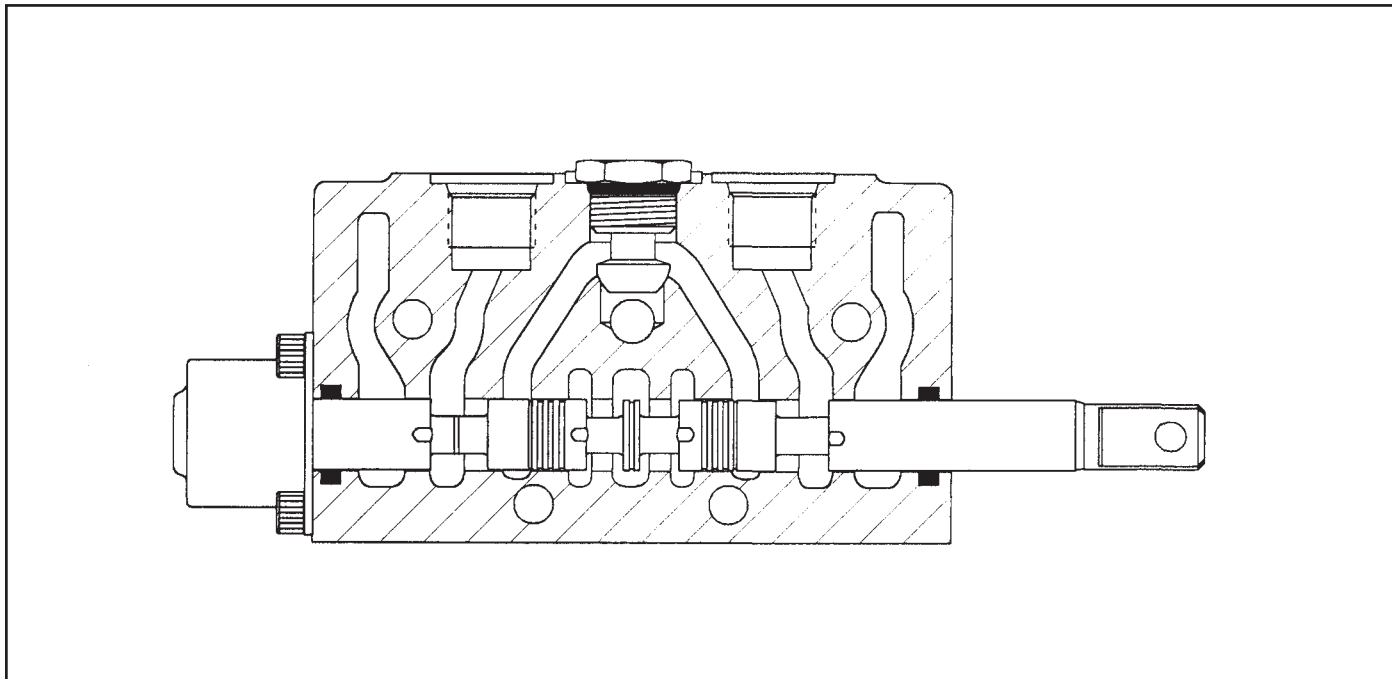


ITEM	PART NUMBER	DESCRIPTION	QTY.
1	85113	Valve Section 3&4, Work Components, V10 - 1294	1

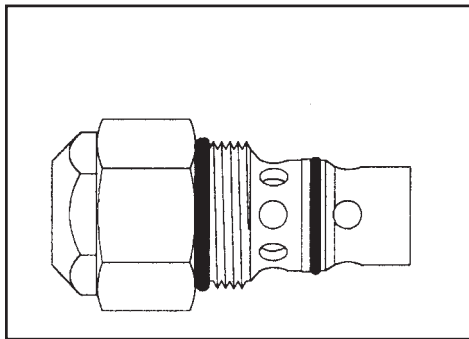


ITEM	PART NUMBER	DESCRIPTION	QTY.
1	85114	Valve Section 5, Work Components, V10 - 1294	1
2	85116	Kit, Anti - Cavitation Check Cartridge, V10 - 1294	1

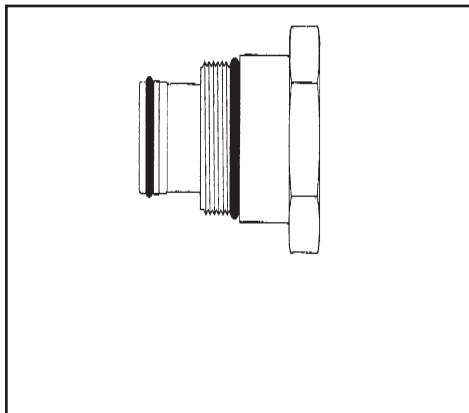
Valve Section Service Kits V-10



ITEM	PART NUMBER	DESCRIPTION	QTY.
1	85115	Valve Section 6, Work Components, V10 - 1294	1

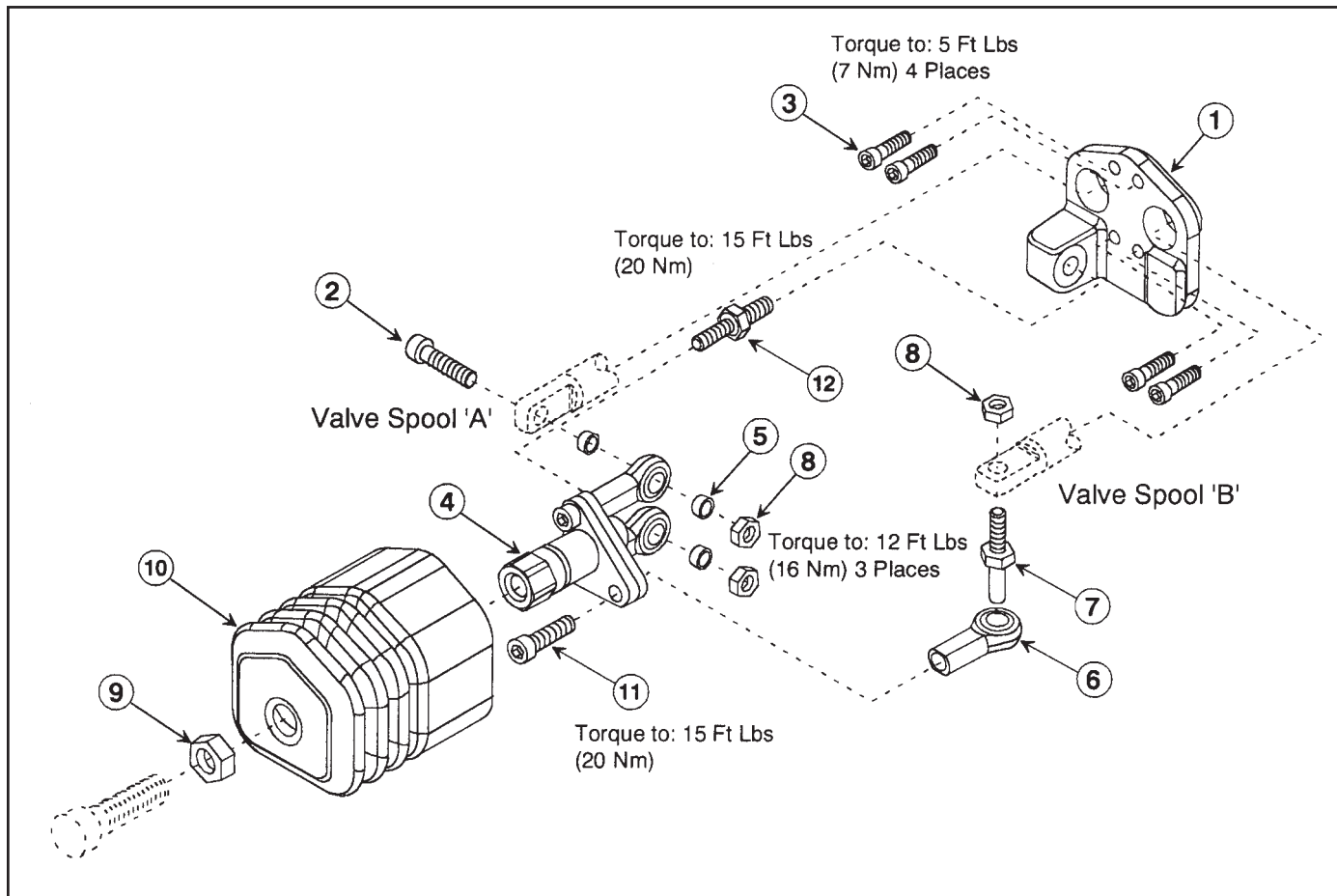


ITEM	PART NUMBER	DESCRIPTION	QTY.
1	85106	Kit, Plug Seal, Relief Cartridge, V10 - 1294	1



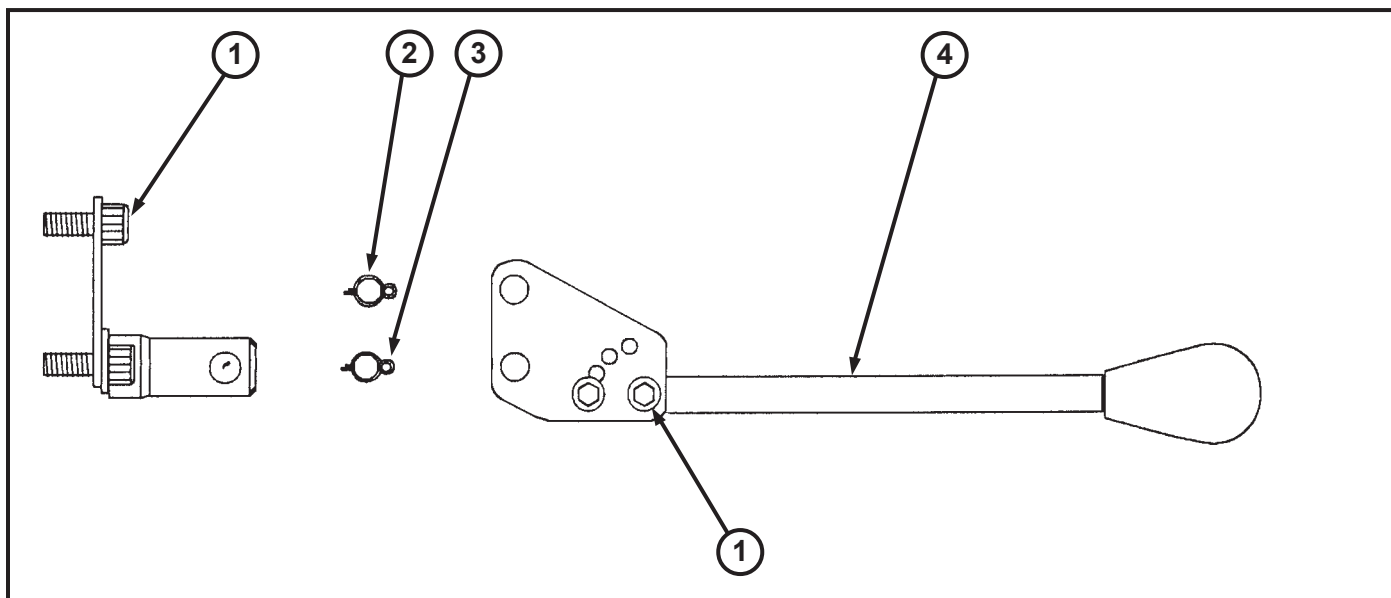
ITEM	PART NUMBER	DESCRIPTION	QTY.
1	85123	Kit, Plug Seal, Power Beyond, V10 - 1294	1

Valve Section Service Kits V-10



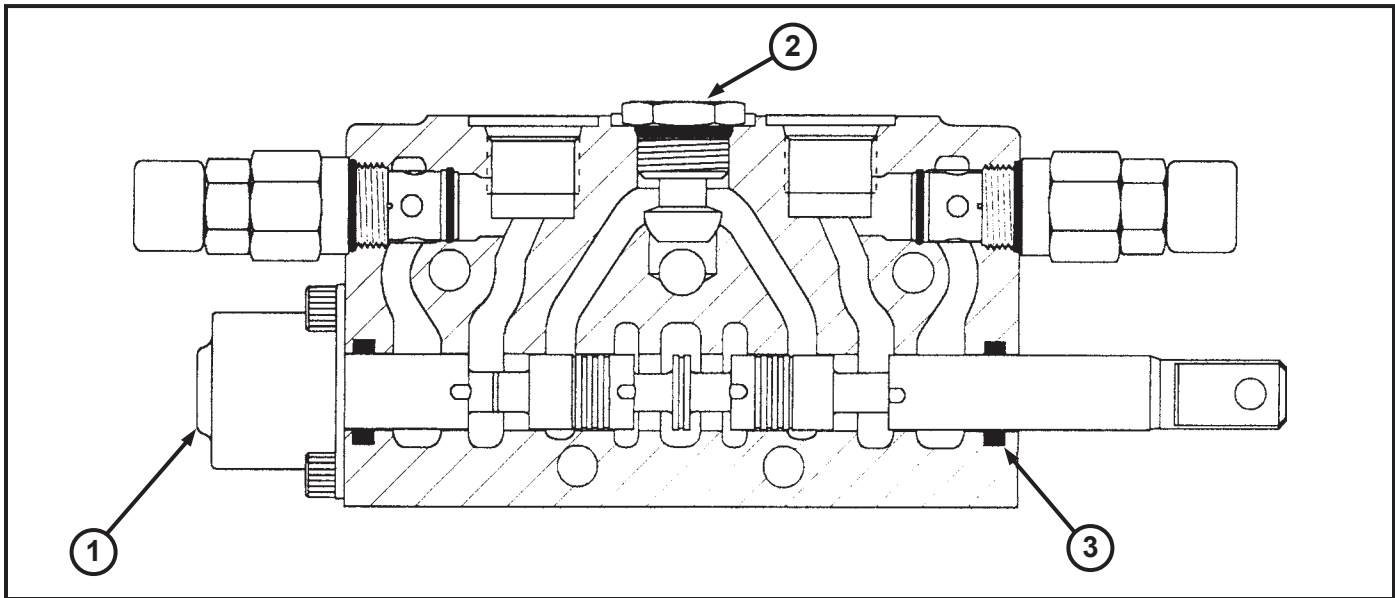
ITEM	PART NUMBER	DESCRIPTION	QTY.
1	85120	Kit, Left, Mechanical Wobblestick Pivot Section, V10-1294	1
2	85121	Kit, Right, Mechanical Wobblestick Pivot Section, V10-1294	1

Valve Section Service Kits V-10

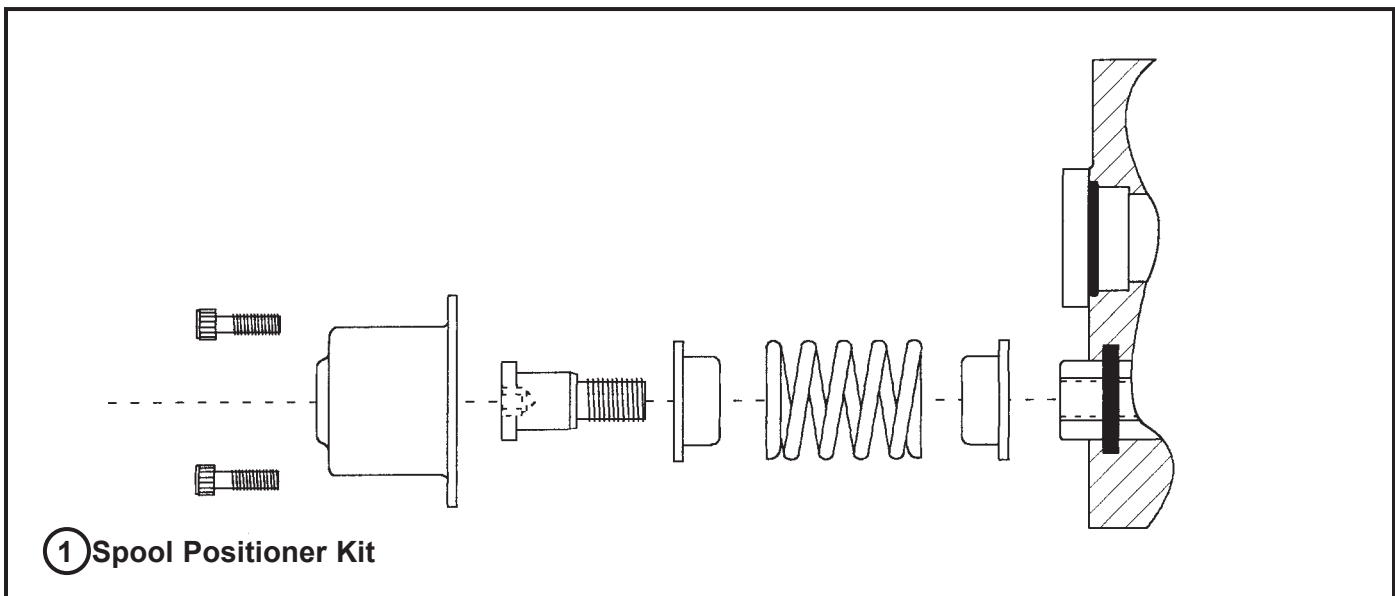


ITEM	PART NUMBER	DESCRIPTION	QTY.
1	85119	Screw, Hex Head, V10 - 1294	4
2	85118	Pin, Cotter, V10 - 1294	1
3	85117	Pin, Clevis, V10 - 1294	1
4	85120	Handle, Outrigger/Offset, V10 - 1294	1

Valve Section Service Kits - V10

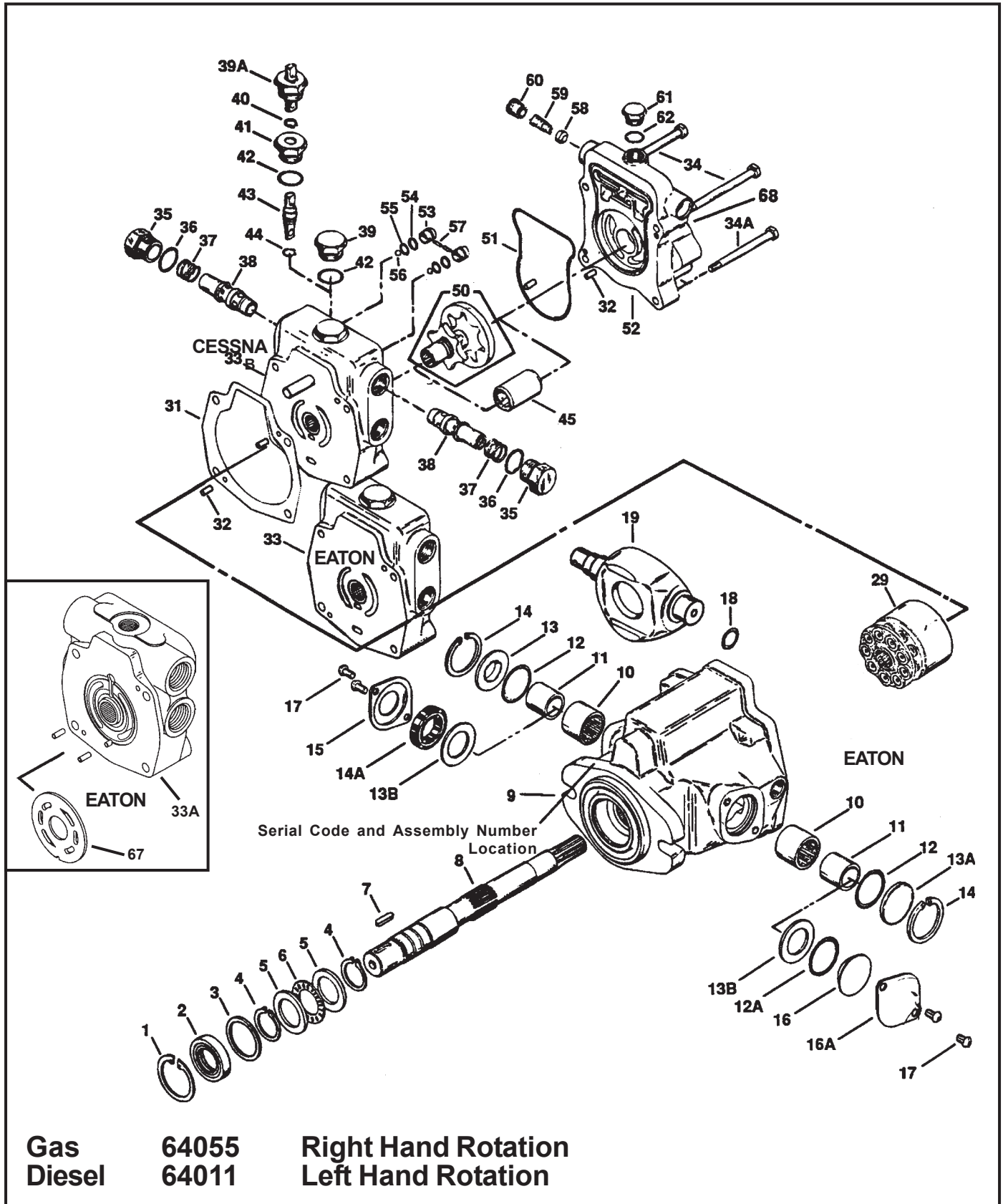


ITEM	PART NUMBER	DESCRIPTION	QTY.
1	85108	Kit, Spool Positioner, V10 - 1294 (See Diagram Below)	1
2	85109	Kit, Load Check Plug, V10 - 1294	1
3	85110	Kit, Spool Lip Seal, V10 - 1294	1



ITEM	PART NUMBER	DESCRIPTION	QTY.
1	85108	Kit, Spool Positioner, V10 - 1294	1

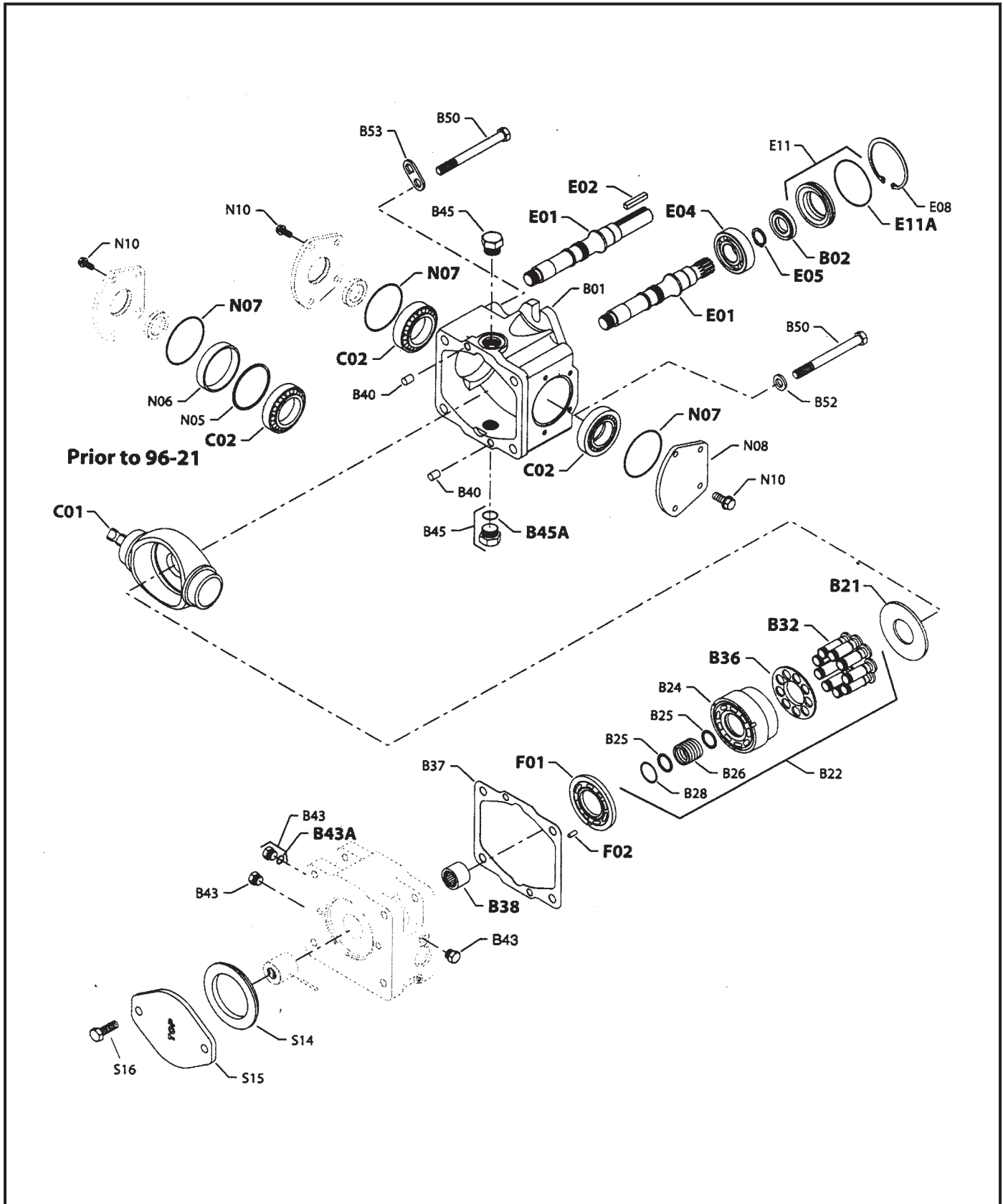
Hydrastatic Transmission



Gas	64055	Right Hand Rotation
Diesel	64011	Left Hand Rotation

ITEM	PART NUMBER	HYDRASTATIC TRANSMISSION DESCRIPTION	QTY.
1	60401	Retaining Ring	1
2	60402	Shaft Seal	1
3	60403	Washer	1
4	60404	Retaining Ring	2
5	60405	Bearing Race	2
6	60406	Bearing, Thrust	1
7	60471	Key	1
8	60407	Drive Shaft	1
9	60409	Housing Assembly	1
10	60410	Bearing	2
11	60411	Inner Race	2
12	60412	O-Ring, $3/32$ " x $15/16$ ", Outer Pintle	2
13	60465	Sleeve Cover	1
13A	60415	Trunnion Cover	1
13B	60561	Washer	1
14	60414	Retaining Ring	2
14A	60562	Seal, Pintle	1
15	60418	Seal Cover	1
17	60564	Screws, Trunnion Cover	2
18	60516	O-Ring, Outer Pintle	1
19	60517	Camplate, For Eaton Trans.	1
19	60417	Camplate, For Cessna Trans.	1
29	60422	Rotating Kit Assembly	1
31	60429	Housing, Gasket	1
33	60533	Backplate Assy., Eaton, with Power Steering	1
33A	60535	Backplate Assy., w/valve plate, Eaton	1
33B	60432	Backplate Assy., Cessna, without Power Steering	1
35	60436	Plug Assembly	2
36	60435	O-Ring $33/32$ " x $7/8$ " ID, Back Plate	1
37	60434	Spring, Transmission, Relief Valve	2
38	60467	Relief Valve Assembly	2
39	60433	Plug Assembly	1
40	60440	Retaining Ring	1
41	60441	Separator Plug	1
42	60442	O-Ring, $33/32$ " x $7/8$ "	1
43	60454	Spreader	1
44	60437	O-Ring, $1/16$ " x $3/8$ "	1
45	60443	Coupler	1
50	64050	Gerotor and Coupler	1
51	60449	O-Ring, Molded	1
52	60453	Adapter Assembly without Power Steering	1
	60553	Adapter Assembly with Power Steering	
	64058	Adapter Assembly with Power Steering - Diesel	
53	60450	Check Valve Assembly	2
54	60452	Back Up Washer	2
55	60455	O-Ring, $1/16$ " x $7/16$ "	2
56	60456	Steel Ball	2
57	60457	Pin	2
58	60461	Poppet Filter Relief	1
59	60463	Spring	1
60	60560	Spring Retainer	1
61	60469	Plug Assembly	1
62	60466	O-Ring, $33/32$ " x $41/64$ "	1
64	60464	O-Ring, $1/16$ " x $31/4$ "	1
65	60465	Cover Plate	1
66	60459	Cap Screw	2
67	60534	Plate, Valve	1
*S	64100	Seal Repair Kit, Cessna	1
*S	64101	Seal Repair Kit Eaton	1
*S	60043	Rotating Rebuild Kit, Cessna	1
*S	60564	Screws, Trunnion Cover	2
68	60464	O-Ring in Back	1

Sunstrand Transmission



*PLEASE PROVIDE SERIAL NUMBER OF MACHINE WHEN ORDERING ANY COMPONENT PARTS.

ITEM	PART NUMBER	PREVIOUS PART NUMBER	SUNSTRAND TRANSMISSION DESCRIPTION	QTY.
B01	4250152		Housing	1
B02	500748	9008000-0132	Lip Seal	1
B03	3103218		Thrust Plate	1
B22	4250062		Cylinder block kit	1
B24	4250095		Cylinder block	1
B25	9009625-0106		Washer	2
B26	3103199		Spring	1
B28	9006250-0131		Retaining Ring	1
B32	4250127		Piston Assembly	9
B36	3103197		Slipper retainer	1
B37	425003		End cap gasket	1
B38	5000046		Needle bearing	1
B40	001289	9004800-3708	Pin	2
B43	001511	9005100-4400	Plug	3
B43A	001123	9004201-2500	O-ring	3
B45	001537	9005100-8700	Plug	2
B45A	001149	9004201-6200	O-ring	2
B50	9007200-4448		Screw	4
B52	002337	9009611-4778	Washer	3
B53	006999	9800999	Lifting Bracket	1
E04	374447	9001310-0008	Ball bearing	1
E05	5000660		Retaining ring	1
E08	9006200-0256		Retaining ring	1
E11	4250176		Seal carrier assembly	1
E11A	505536	9004100-0350	O-ring	1
N07	9004300-1460		O-ring	2
N08	4250027		Trunnion cover	1
N10	001909	9007200-3112	Screw	8
N10	516517	9007276-0135	Screw	8
S14	4800482		A pad seal	1
S15	4460586		Cover Plate	1
S16	9007200-3716		Screw	1

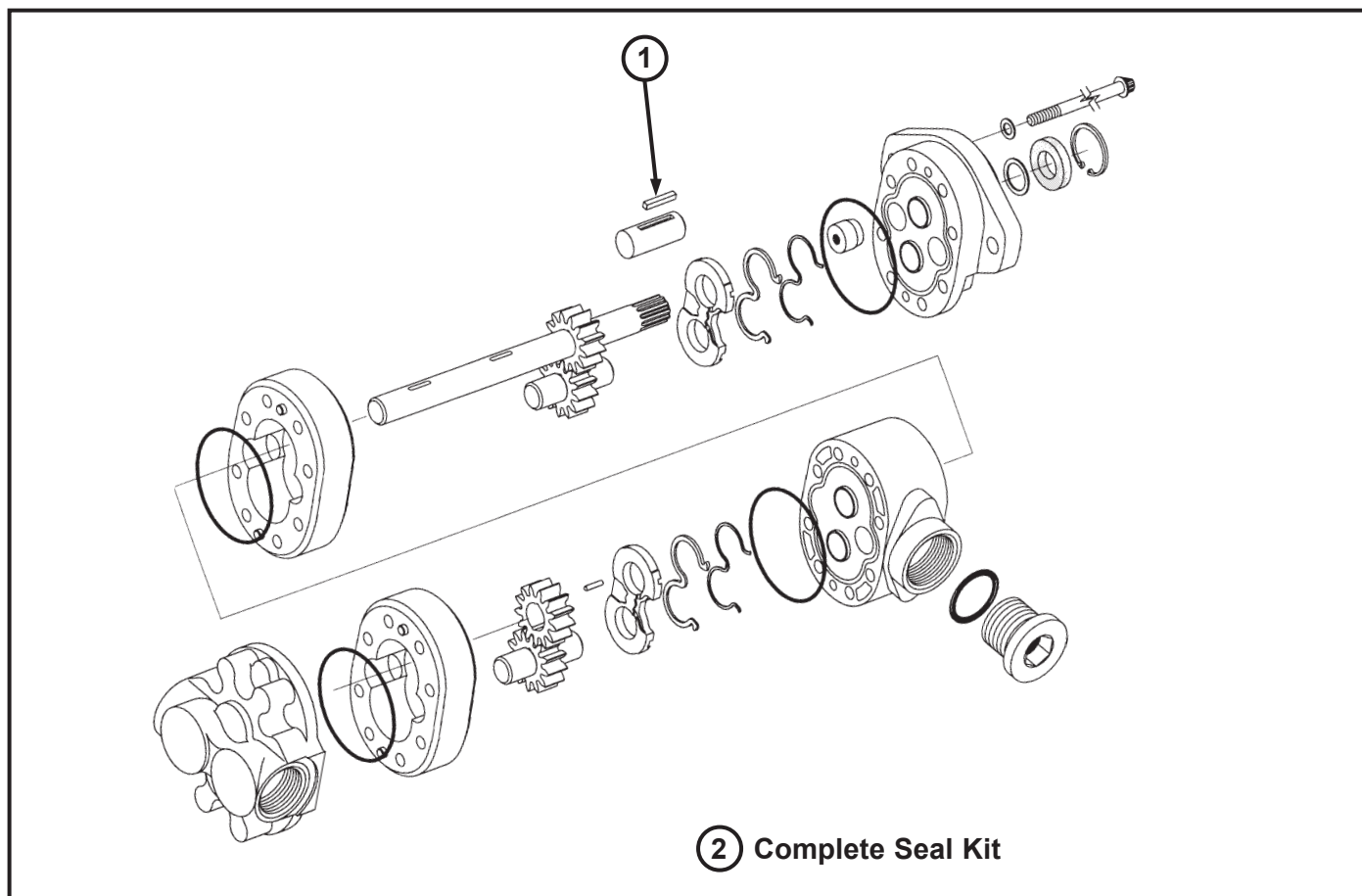
Swashplate

C01	4250102		Swashplate	1
C01	4510126		Swashplate kit (SB-1996-010)	1
C02	4800470		Tapered roller bearing	2
C02	508996	9001415-0006	Tapered roller bearing (SB-1996-010)	2
N05	4510026		Trunnion shim kit (SB-1996-010)	2
N06	4250043		Spacer (SB-1996-010)	2

Input Shaft

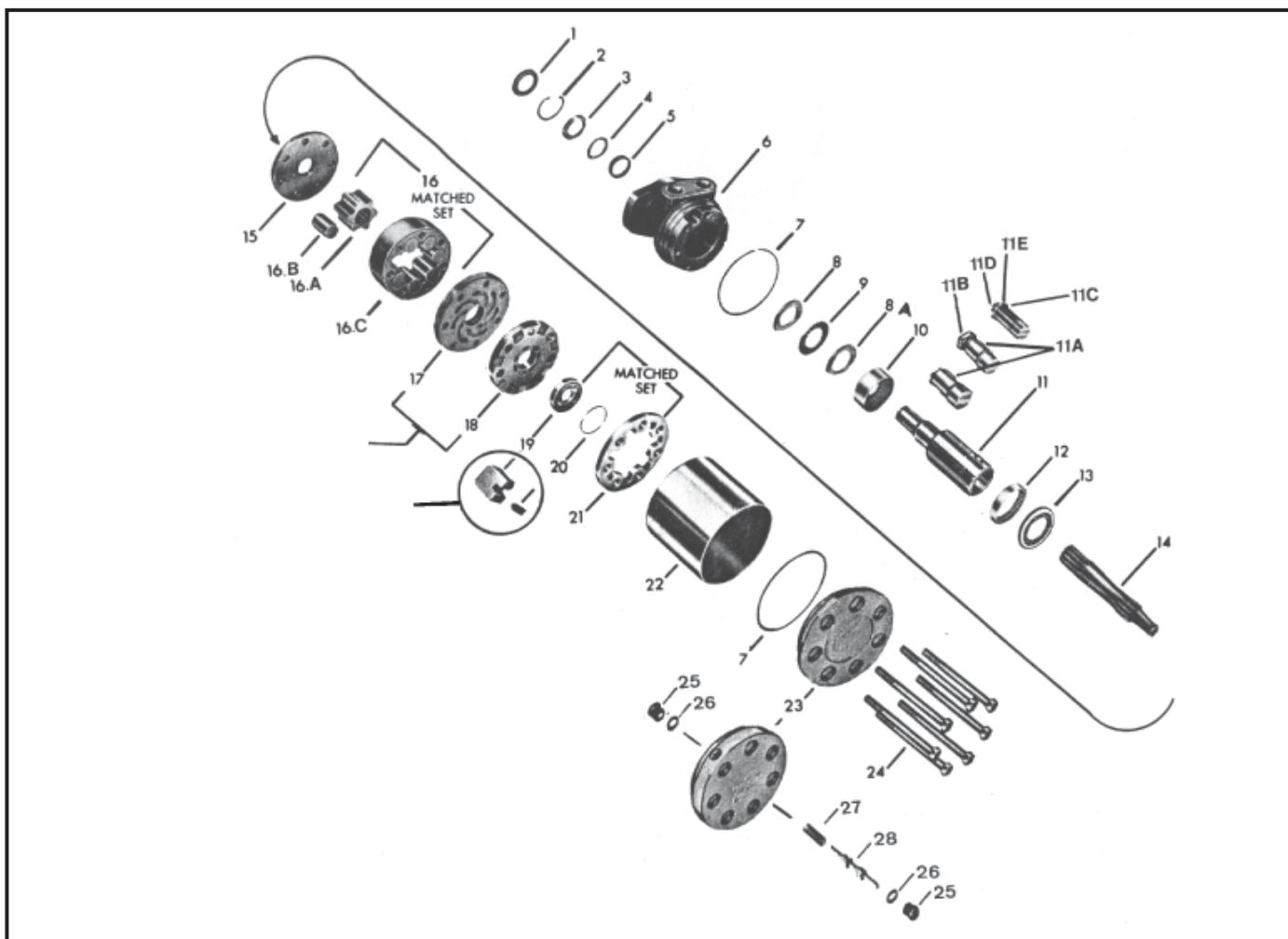
E01	4250001		Shaft, 13 tooth spline	1
E01	4250161		Shaft, 20 tooth spline	1
E01	4250013		Shaft, straight key	1
E02	509647	9003261-2524	Key	1

Gear Pump Part Number 66000 Gas / 66001 Diesel



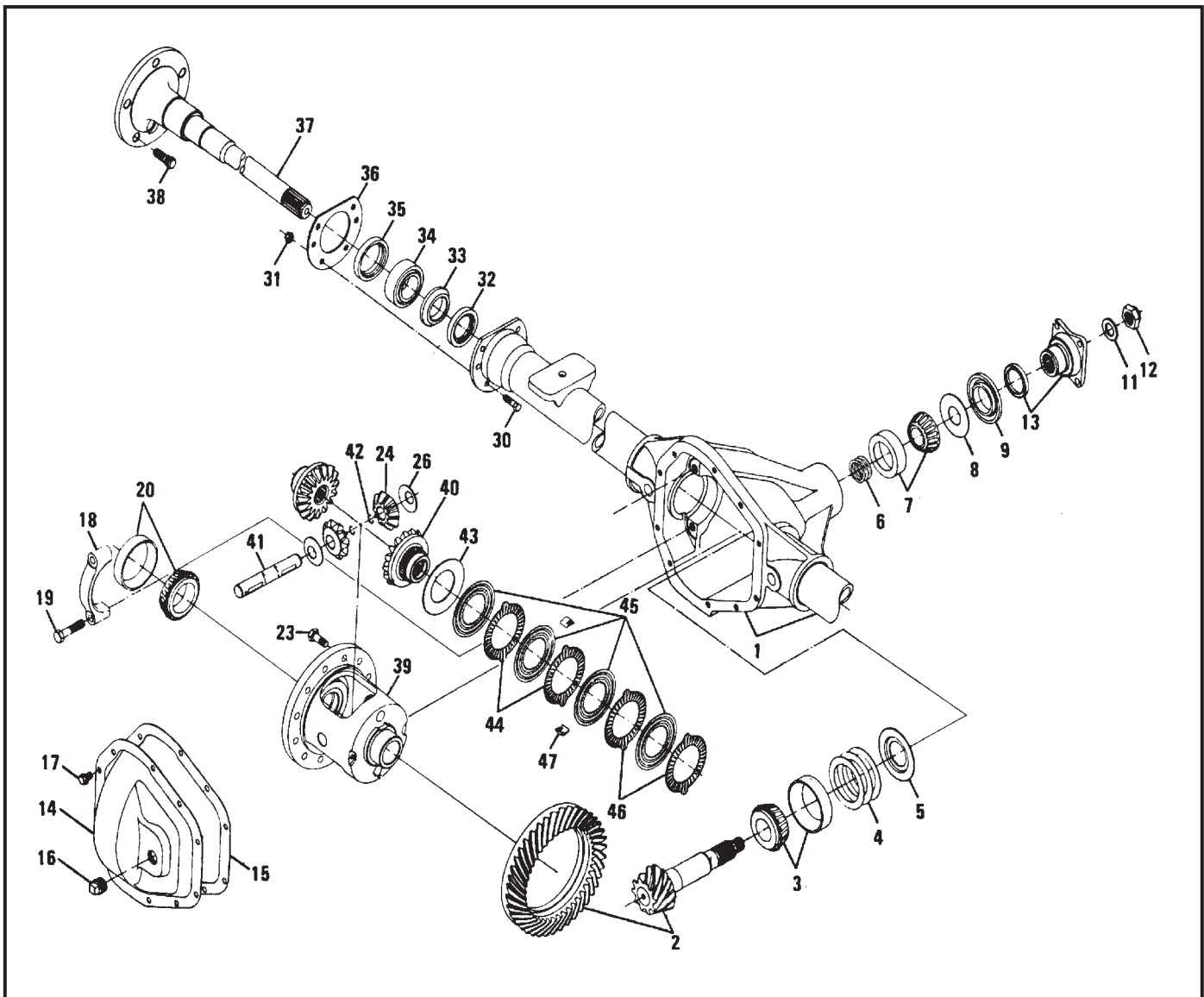
ITEM	PART NUMBER	DESCRIPTION	QTY.
1	64049	Key, Coupler, Cessna	1
2	66030	Kit, Seal, Double Gear Pump	1

MAB/MAE Torquemotor Exploded Assembly View



ITEM	DESCRIPTION	ITEM	DESCRIPTION	ITEM	DESCRIPTION
1	Seal	11B	Nut	17	Manifold Plate
2	Retaining Ring	11C	Washer	18	Manifold
3	Back-Up Washer	11D	Bolt	19	Commutator
4	Washer	11E	Lock Washer	20	Seal Ring
5	Seal	12	Bearing	21	Commutator Ring
6	Housing	13	Thrust Bearing	22	Sleeve
7	Seal Ring (2)	14	Drive Link	23	End Cover Assembly
8	Thrust Washer	15	Wear Plate	24	Special Bolt (7)
8A	Thrust Washer	16	Rotor Set	25	Plug
9	Thrust Bearing	16A	Rotor	26	O-Ring
10	Bearing	16B	Vane (7)	27	Spring
11	Coupling Shaft	16C	Stator	28	Valve (Shuttle)
11A	Key				

Rear Axle Assembly



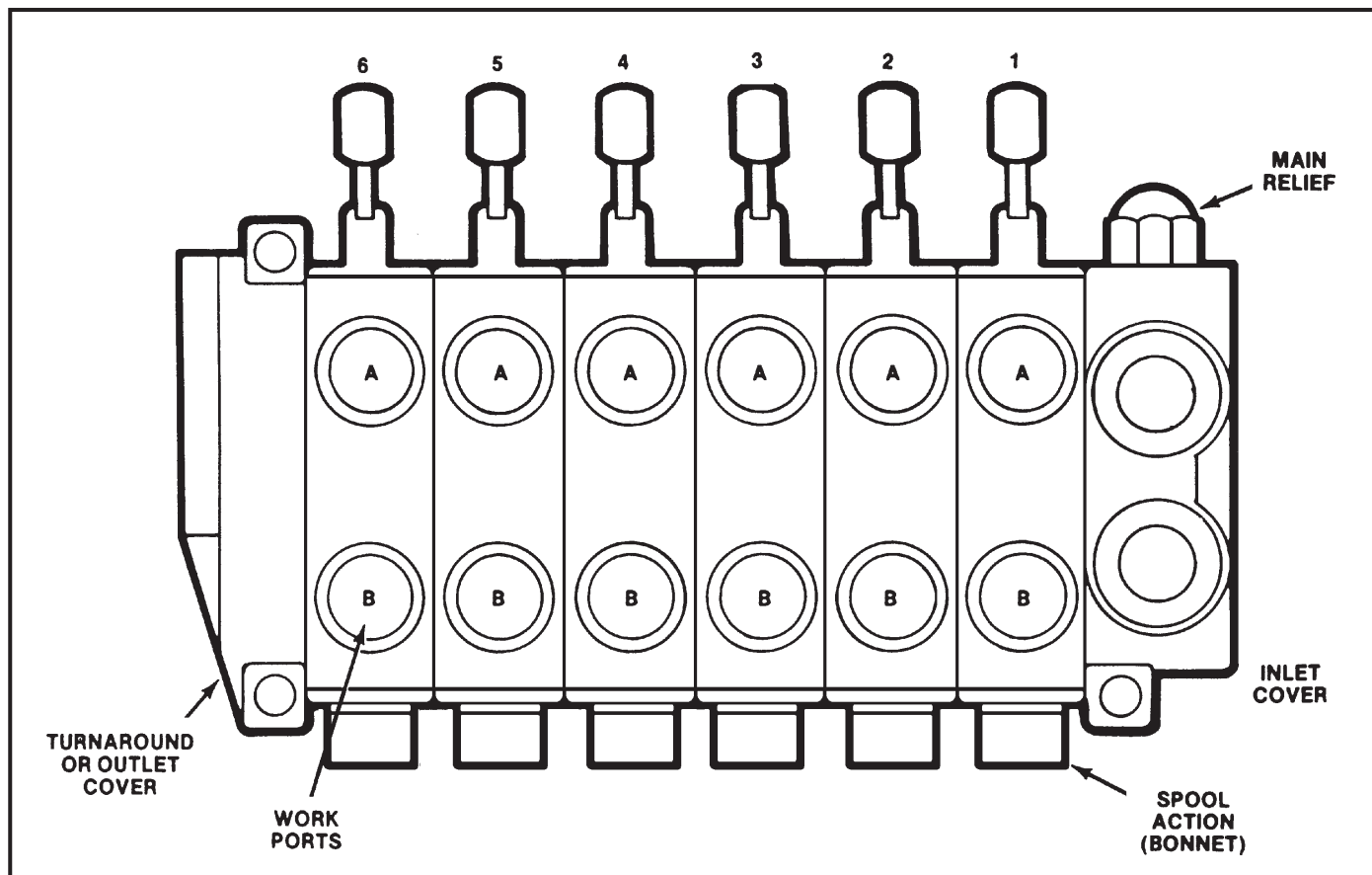
ITEM	PART NUMBER	DESCRIPTION	DANA PART NO.	QTY.
1	55010	Housing-Axle	*	
2	64004	Gear & Pinion Ass'y-Drive	*	
3	55030	Kit-Inner Pinion Bearing	706031X	
4	55040	Shim-Drive Pinion Adjusting	*	
5	55050	Baffle-Pinion Bearing	*	
6	55060	Shim-Pinion Bearing Adjusting	*	
7	55022	Kit-Outer Pinion Bearing	706030X	
8	55080	Slinger-Pinion Bearing Outer	*	
9	55090	Seal-Pinion	35723	

Continued On Next Page

Rear Axle Assembly (Continued)

ITEM	PART NUMBER	DESCRIPTION	DANA PART NO.	QTY.
11	55110	Washer-Pinion Nut	30186	
12	55120	Nut-Pinion	30185	
13	55130	Companion Flange Assembly	2-1-1881X	
14	55140	Cover-Carrier	*	
15	55150	Gasket-Carrier Cover	34685	
16	55160	Plug-Cover	36472	
17	55170	Bolt-Carrier Cover	34279	
18	55180	Cap-Differential Bearing	**	
19	55190	Bolt-Differential Bearing Cap	500400-20	
20	55200	Kit-Differential Bearing	706032X	
21	55210	Shim-Differential Bearing	*	
22	55220	Case-Differential	*	
23	55230	Bolt-Drive Gear	30187	
24	55240	Pinion-Differential	*	
25	55250	Gear-Differential	*	
26	55260	Thrust Washer-Differential Pinion	*	
27	55270	Thrust Washer-Differential Gear	*	
28	55280	Shaft-Differential	*	
29	55290	Lock-Differential Shaft	13449	
30	55300	Bolt-Break Mounting	34616-1	
31	55310	Nut-Brake Mounting	35704	
32	55320	Seal-Shaft Inboard	34419	
33	55330	Ring-Wheel Bearing Retaining	32755	
34	55340	Bearing Assembly	565903	
35	55350	Seal-Shaft Outboard	35239	
36	55360	Retainer-Oil Seal	35490	
37	55370	Shaft-Axle Flanged	*	
38	55380	Bolt-Wheel	35491	
LIMITED SLIP DIFFERENTIAL (TRAC-LOK) STD. ON SER #9975236 & UP				
39	55390	Case-Differential	*	
40	55400	Gear-Differential	*	
41	55410	Shaft-Differential	*	
42	55420	Ring-Snap	*	
43	55430	Spacer-Differential Gear (Dished)	*	
44	55440	Plate-Differential	*	
45	55450	Disc-Differential	*	
46	55460	Plate-Differential (Selective Thickness)	*	
47	55470	Clip-Differential Clutch Retainer	*	


Schematic-View of Typical Control Valve Assembly - V20



1. Before disassembly, it is suggested that each valve section be marked numerically to avoid incorrect reassembly.
2. Remove three assembly stud nuts from the left end section using a $\frac{9}{16}$ " thin wall socket.
3. Remove valve sections by sliding from assembly studs.

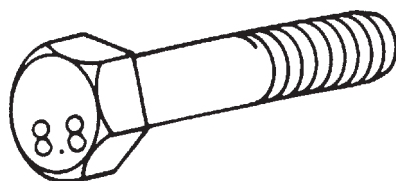
General Tightening Torque for Bolts, Nuts and Taperlock Studs - V20

The following charts give the standard torque values for bolts, nuts and taperlock studs for SAE Grade 5 or better quality.

Use these torques for bolts and nuts with standard threads (conversions are approximate).	Thread Size	Standard Torque	
	Inches	Lb. Ft.	N·m*
 <p>standard thread</p>	1/4	9 ± 3	12 ± 4
	5/16	18 ± 5	25 ± 7
	3/8	32 ± 5	45 ± 7
	7/16	50 ± 10	70 ± 15
	1/2	75 ± 10	100 ± 15
	9/16	110 ± 15	150 ± 20
	5/8	150 ± 20	200 ± 25
	3/4	265 ± 35	360 ± 50
	7/8	420 ± 60	570 ± 80
	1	640 ± 80	875 ± 100
	1-1/8	800 ± 100	1100 ± 150
	1-1/4	1000 ± 120	1350 ± 175
	1-3/8	1200 ± 150	1600 ± 200
	1-1/2	1500 ± 200	2000 ± 275

*1 newton meter (N·m) is approximately the same as 0.1 mkg.

Metric Fasteners



[Usually, material strength identification on bolt head is with number (i.e., 8.8, 10.9, etc.)]

The chart on the right gives the torque for bolts and nuts with Grade 8.8.

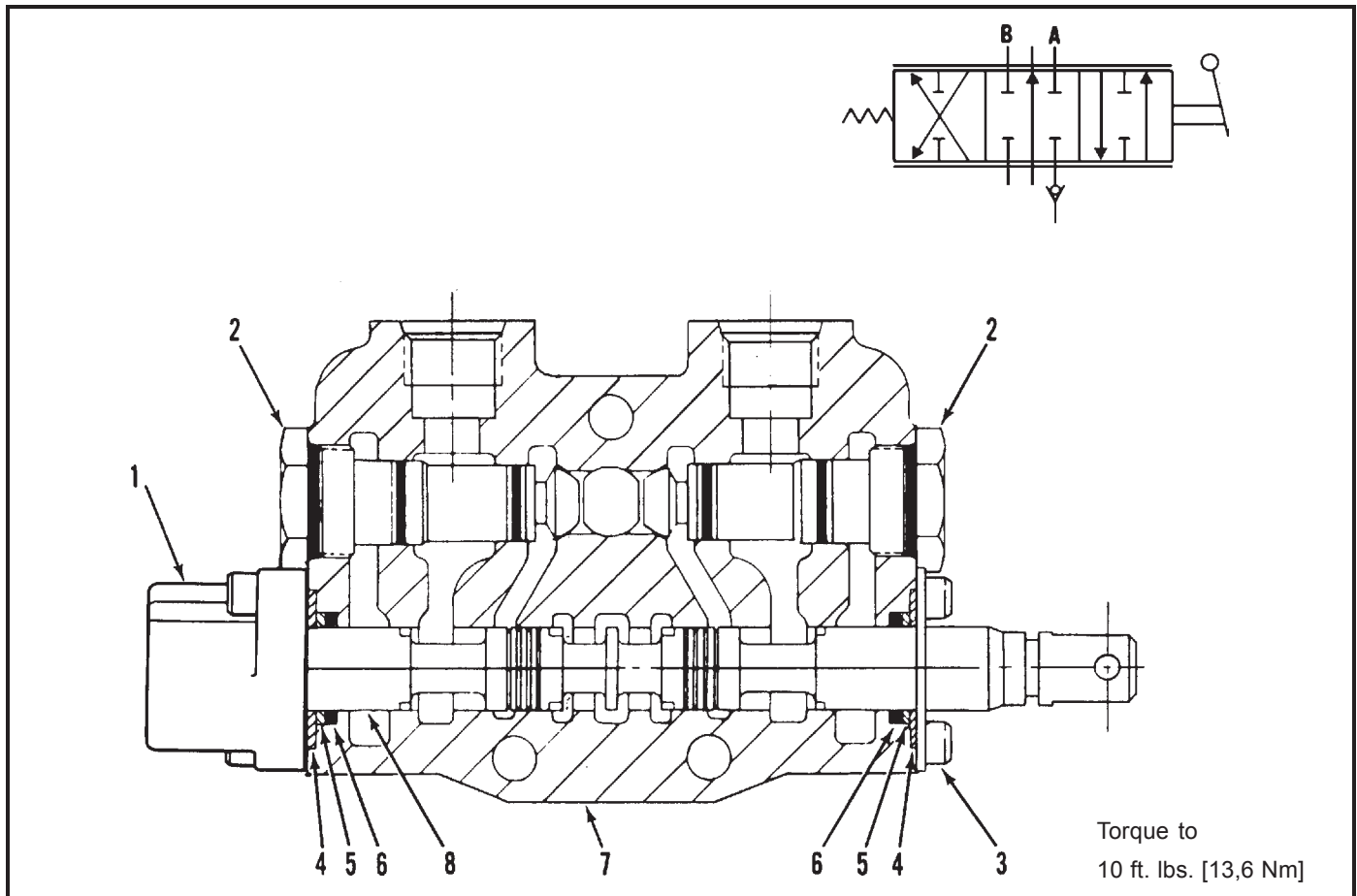
NOTICE: Caution must be taken to avoid mixing metric and standard (customary) fasteners. Mismatched or incorrect fasteners can result in vehicle damage or malfunction, or possible personal injury. Original fasteners removed from the vehicle should be saved for assembly when possible. If new ones are required, caution must be taken to replace with one that is of same part no. and grade or better.

Thread Size	Metric ISO Thread	
	Torque	
	(mm)	(N·m*)
M6	12 ± 4	9 ± 3
M8	25 ± 7	18 ± 5
M10	55 ± 10	40 ± 7
M12	95 ± 15	70 ± 10
M14	150 ± 20	110 ± 15
M16	220 ± 30	160 ± 20
M18	325 ± 50	240 ± 35
M20	450 ± 70	330 ± 50
M22	600 ± 90	440 ± 65
M24	775 ± 100	570 ± 75
M27	1150 ± 150	840 ± 110
M30	1610 ± 200	1175 ± 150
M33	2000 ± 275	1450 ± 200
M36	2700 ± 400	2000 ± 300

ISO - International Standard Organization

*1 newton meter (N·m) is approximately the same as 0.1 mkg.

4-Way, 3-Position Valve Section - V20



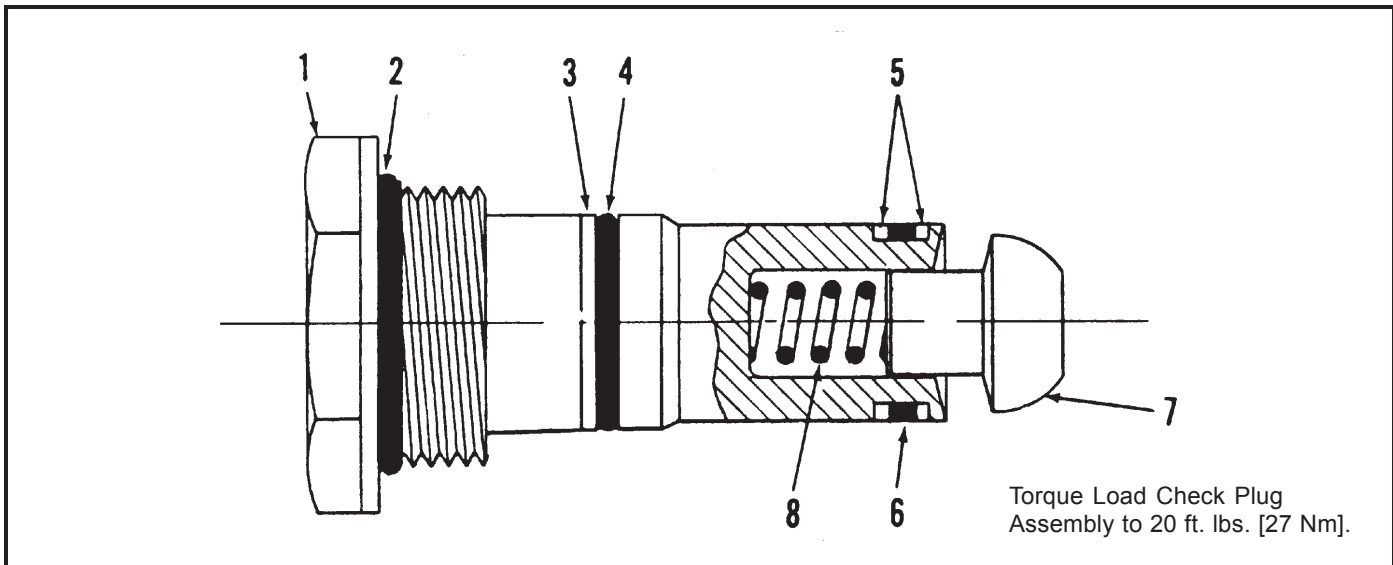
ITEM NO.	DESCRIPTION	QUANTITY PER SECTION	
1	POSITIONER, Spool, Standard	1	
2	CHECK, Load	2	
3	RETAINER ASSEMBLY, Standard, Includes Screws	1	
4	RETAINER, Plate Washer	2	
5	WASHER, Back-Up	} See Note 1	2
6	SEAL, O-Ring		2
7	HOUSING, Standard	} See Note 1	1
8	SPOOL, 4-Way		1

Notes:

1. Seal and washer not sold separately. Order Seal Kit.
2. These are matched parts and are not sold separately.

Buna-N seals are standard for all Gresen valve assemblies. Optional Viton seals are available.

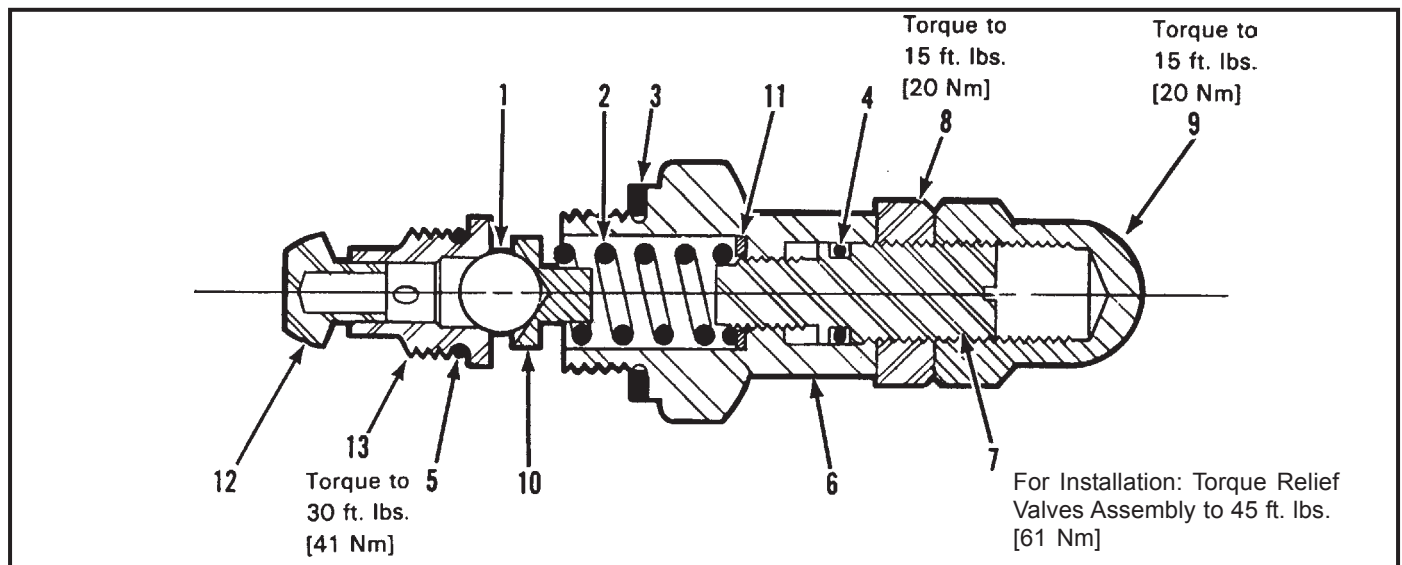
Load Check Plug Assembly - V20



ITEM NO.	DESCRIPTION	QUANTITY PER PLUG ASSEMBLY
	REPLACEMENT LOAD CHECK PLUG ASSEMBLY	
	SEAL KIT, (Contains items 2, 3, 4, 5 and 6)	
1	PLUG, Lift Check, Steel (Heavy Duty)	1
2	SEAL, O-Ring	1
3	WASHER, Back-Up, Outer	1
4	SEAL, O-Ring, Outer	1
5	WASHER, Back-Up, Inner	2
6	SEAL, O-Ring	1
7	POPPET, Lift Check	1
8	SPRING, Lift Check	1

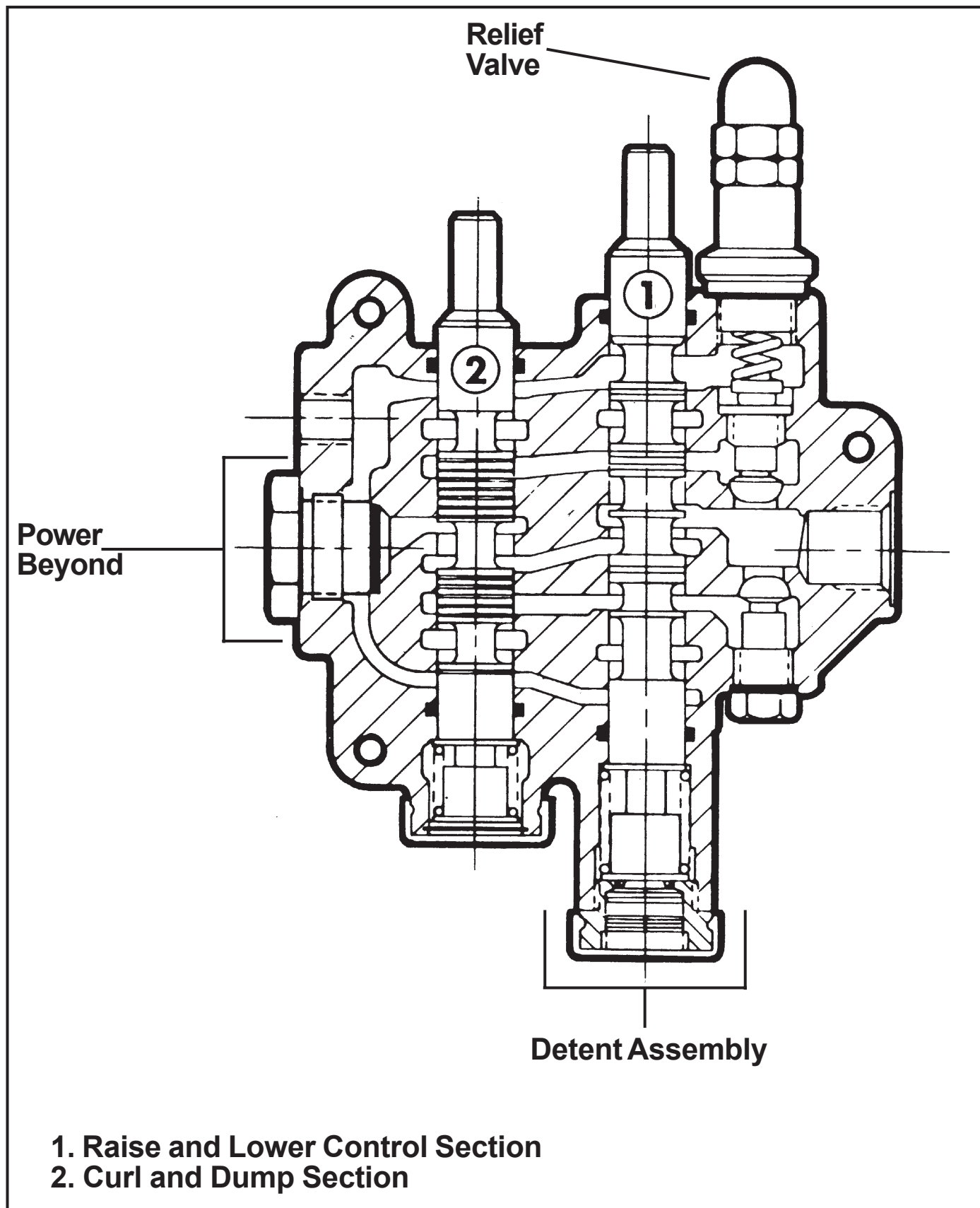
} Not Sold Separately

Model J-HP High Pressure Relief - V20



ITEM NO.	DESCRIPTION	QUANTITY PER PLUG ASSEMBLY	
1	BALL	1	
2	SPRING, Relief (Model SP only)	1	
	SPRING, Relief (Models SPK and SSK only)	1	
3	GASKET, Relief Body	} Not Sold Separately	1
4	O-RING, Adjusting Screw		1
5	O-RING, Valve Seat		1
6	BODY	1	
7	SCREW, Adjusting	1	
8	NUT, Jam, Adjusting Screw	1	
9	NUT, Acorn Cap	1	
10	GUIDE, Spring	1	
11	WASHER, Spacer (SP)	1	
	WASHER, Spacer (SPK)	2	
12	POPPET, Check	1	
13	SEAT, Valve	1	

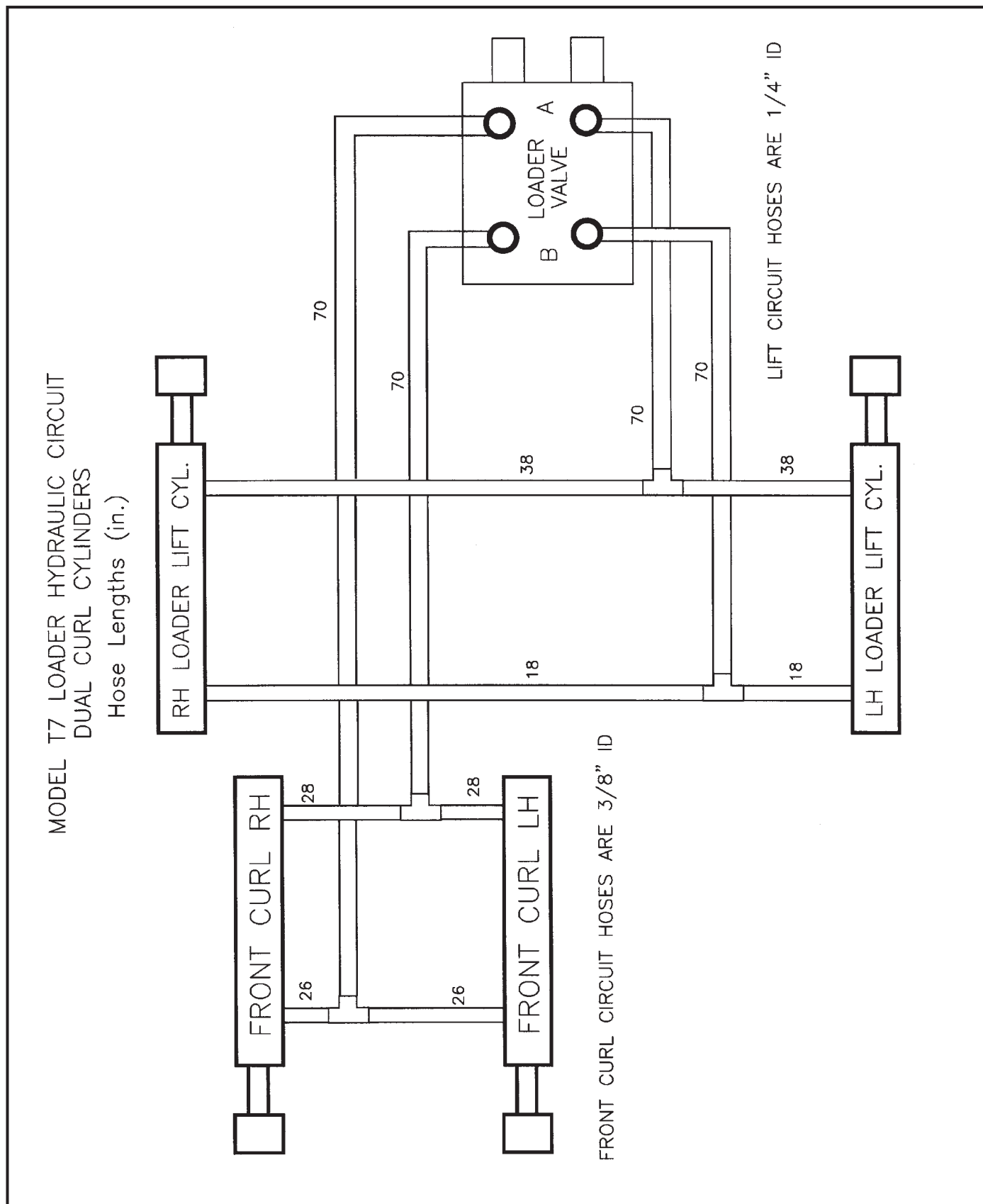
SPK Monoblock Valve



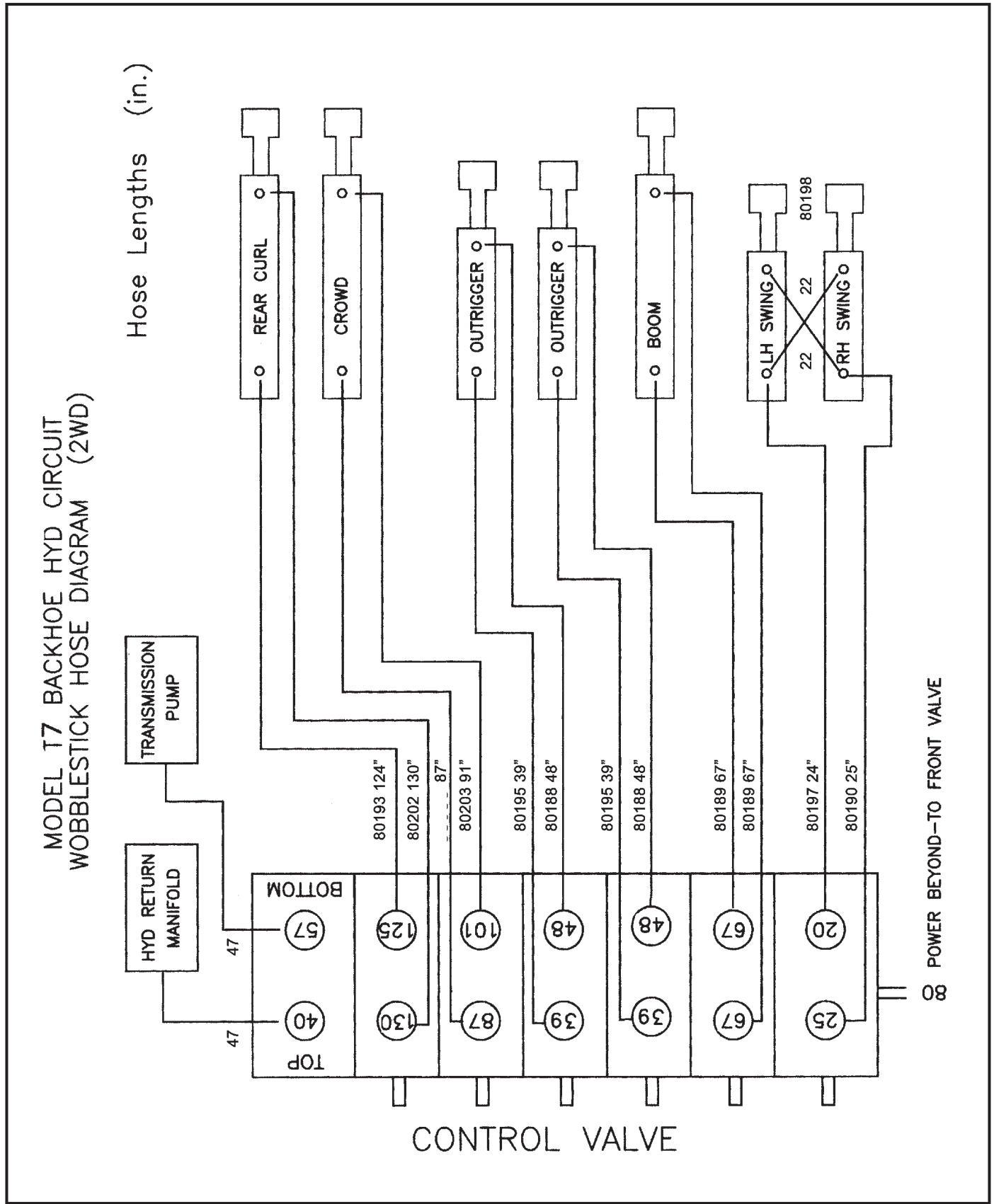
Cylinder Components

	①	②	③	④	⑤	⑥
	Rod Diameter	Cylinder Part Number	Rod Part Number	Bearing Block Part Number	Piston Part Number	Seal Kit Part Number
Power Steering T5D/T7	1"	25811	25803	22103	21111	21151
Power Steering T7	1"	81212	25803	22103	21111	21151
Swing T5D/T7	1"	82070	25201	22103	21111	21151
Swing T7 180 Degree Swing	1¼"	81169	81228	81230	81227	81233
Arm T5D/T7	1⅝"	12026	81042	22203	21111	21125
Front Curl T5D/T7	1⅝"	82066 Left 82074 Right	82073	22203	21111	21125
Rear Curl T5D/T7	1¼"	81158	81048	82104	21111	82051
Outrigger T5D/T7	1⅝"	81139	21601	22203	21111	21125
Boom T5D Straight Boom	1¼"	21200	21201	82058	23110	21525
Crowd T5D Straight Boom	1¼"	21000	21201	82058	23110	21525
Boom/Crowd T7 Curved Boom	1¼"	81152	82089	82104	21111	21525
Boom T7 180 Degree Swing	1½"	81190	81205	81192	81237	81196
Crowd T7 180 Degree Swing	1½"	81222	81205	81192	81237	81196

T7 Loader Hydraulic Circuit Hose Lengths (in.)



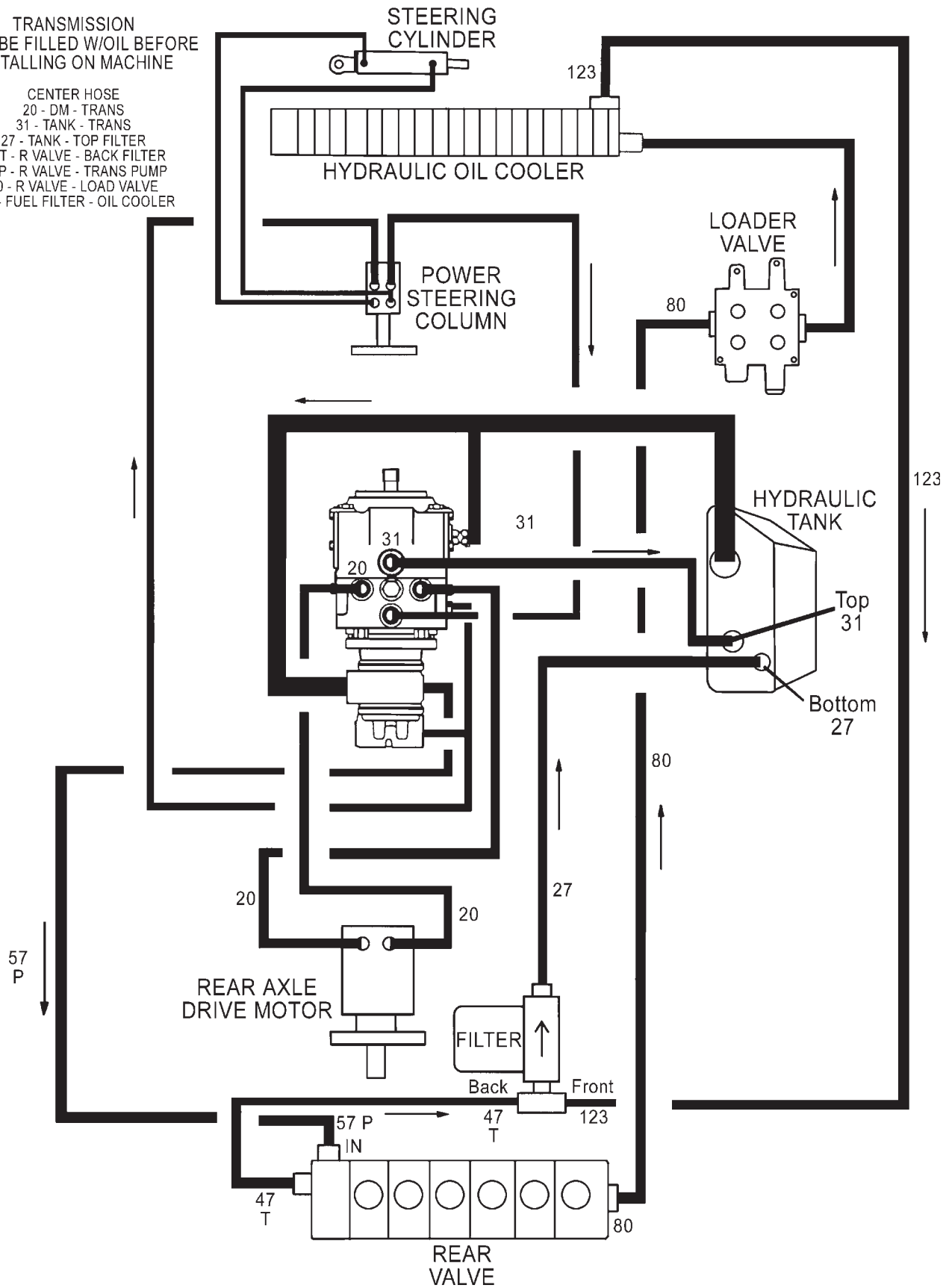
T7 Rear Boom Hose Diagram V10



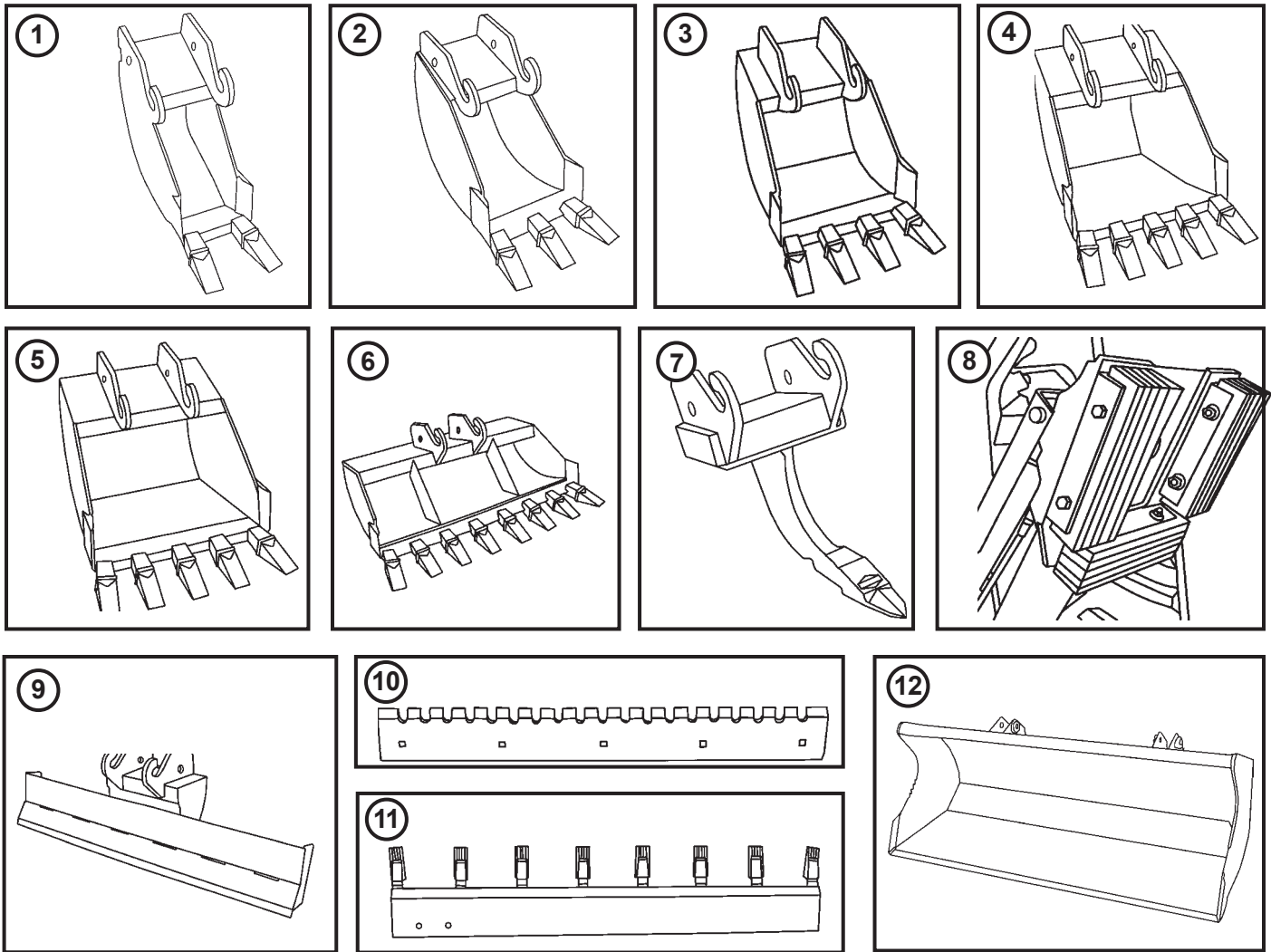
T7 / T9 SUNSTRAND DIESEL HOSE DIAGRAM WITH OIL COOLER

TRANSMISSION
MUST BE FILLED W/OIL BEFORE
INSTALLING ON MACHINE

- CENTER HOSE
- 20 - DM - TRANS
- 31 - TANK - TRANS
- 27 - TANK - TOP FILTER
- 47 T - R VALVE - BACK FILTER
- 57 P - R VALVE - TRANS PUMP
- 80 - R VALVE - LOAD VALVE
- 123 - FUEL FILTER - OIL COOLER

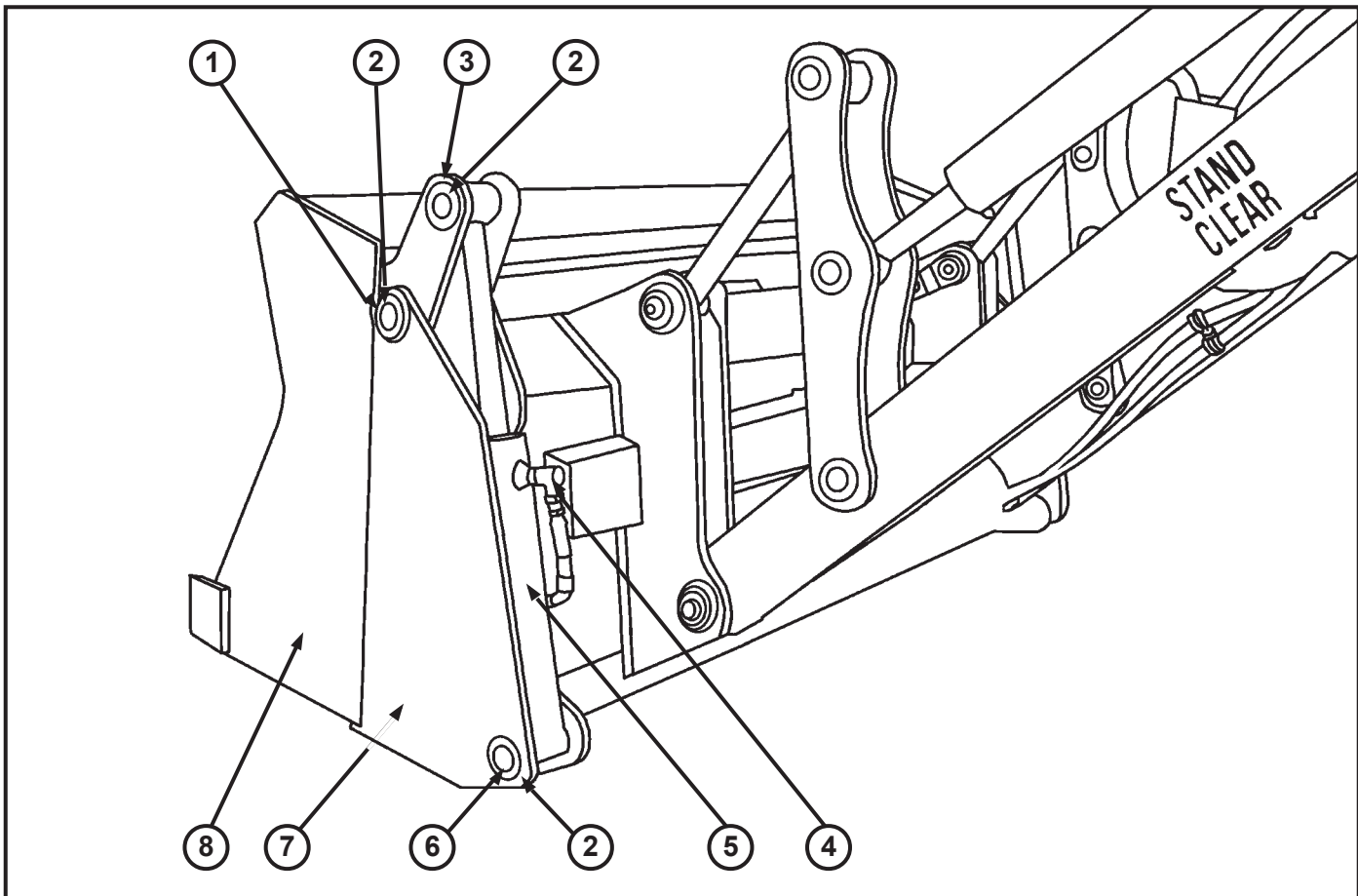


Quick Attach Backhoe Buckets



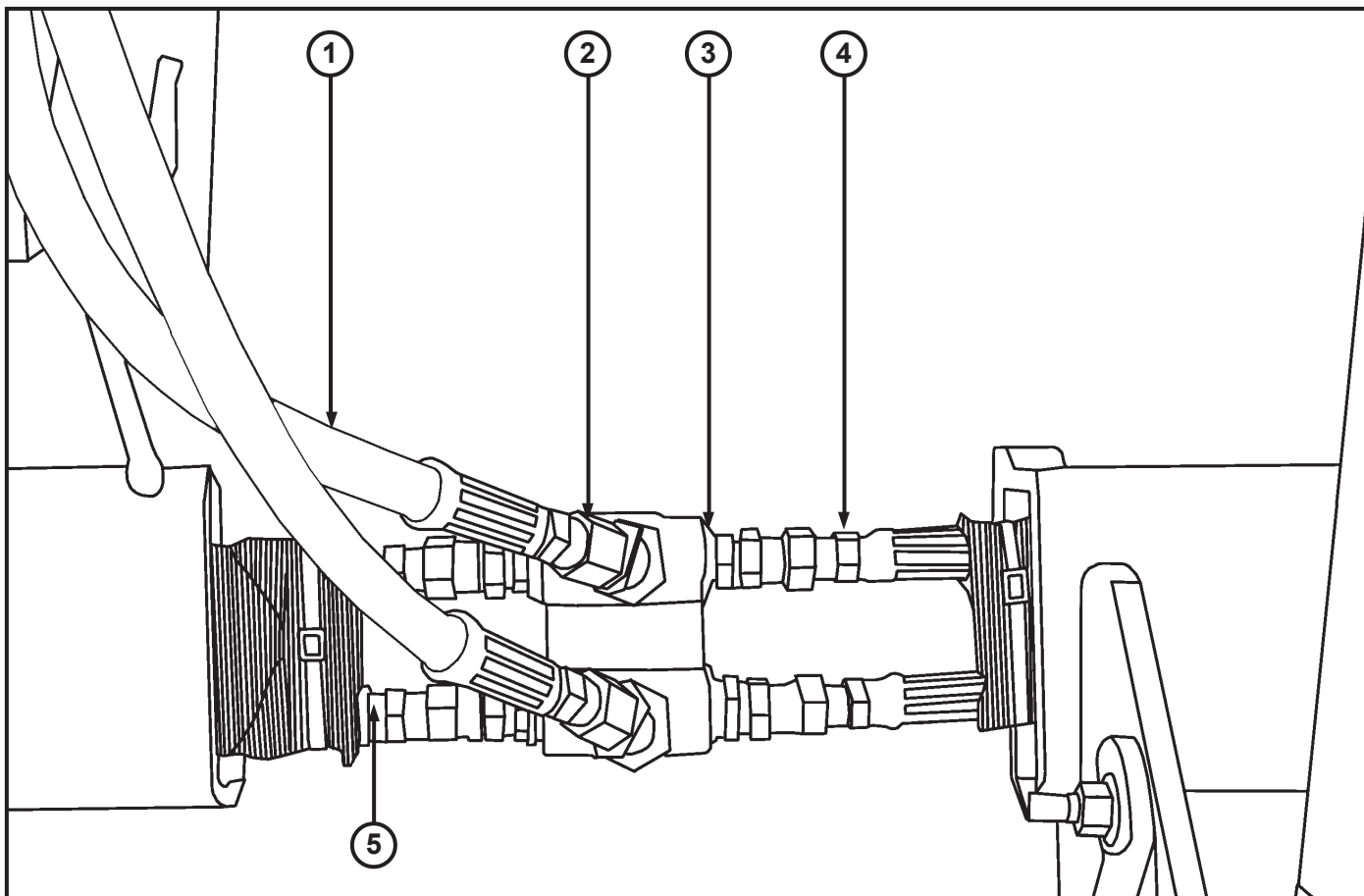
ITEM	PART NUMBER	DESCRIPTION	QTY.
1	19133	Bucket, 8", Quick Attach, T5C/T7	1
	19279	Bucket, 10", Quick Attach, T5C/T7	
2	19069	Bucket, 12", Quick Attach, T5C/T7	1
3	11160	Bucket, 16", Quick Attach, T5C/T7 (Standard)	1
	19265	Bucket, 18", Quick Attach, T5C/T7	
4	19183	Bucket, 20", Quick Attach, T5C/T7	1
5	19212	Bucket, 24", Quick Attach, T5C/T7	1
6	19146	Bucket, 36", Quick Attach, T5C/T7	1
	19155	Bucket, 38", Quick Attach, T5C/T7	
7	19297	Ripper, Quick Attach, T5C/T7	1
8	11129	Outrigger Pad Assembly, Flip Over T5C/T7	2
9	19370	Blade, Landscape, Quick Attach, T5C/T7	1
10	19438	Edge, Cutting, Serrated, 56" w/Bolts, T7	1
11	19436	Edge, Cutting, Bolt-On, 56" w/Bolts, T7	1
12	19451	Bucket, Loader, Flat Bottom, 56" T7	1

View of Clam Shell 4 in 1 Bucket (Factory Installed Option)



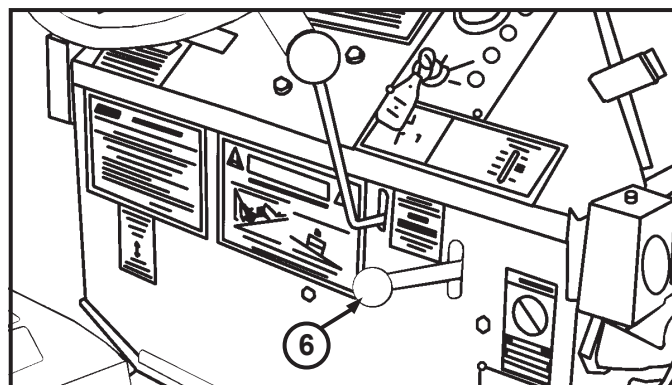
ITEM	PART NUMBER	DESCRIPTION	QTY.
1	17138	Pin, Clam & Blade Pivot	2
2	20082	Nut, $\frac{3}{8}$ " NC Flange Z	6
3	17136	Pin, Clam Cylinder Rod End	2
4	22174	Fitting, $\frac{1}{4}$ " MP x $\frac{1}{4}$ " F 90° D, Swivel	2
5	81126	Cylinder, 4 in 1 Bucket	2
6	17137	Pin, Clam Cylinder Head End	2
7	19394	Blade, 4 in 1 Bucket 56"	1
8	19401	Clam, 4 in 1 Bucket 56"	1

View of Clam Shell 4 in 1 Bucket from Drivers Position (Factory Installed Option)

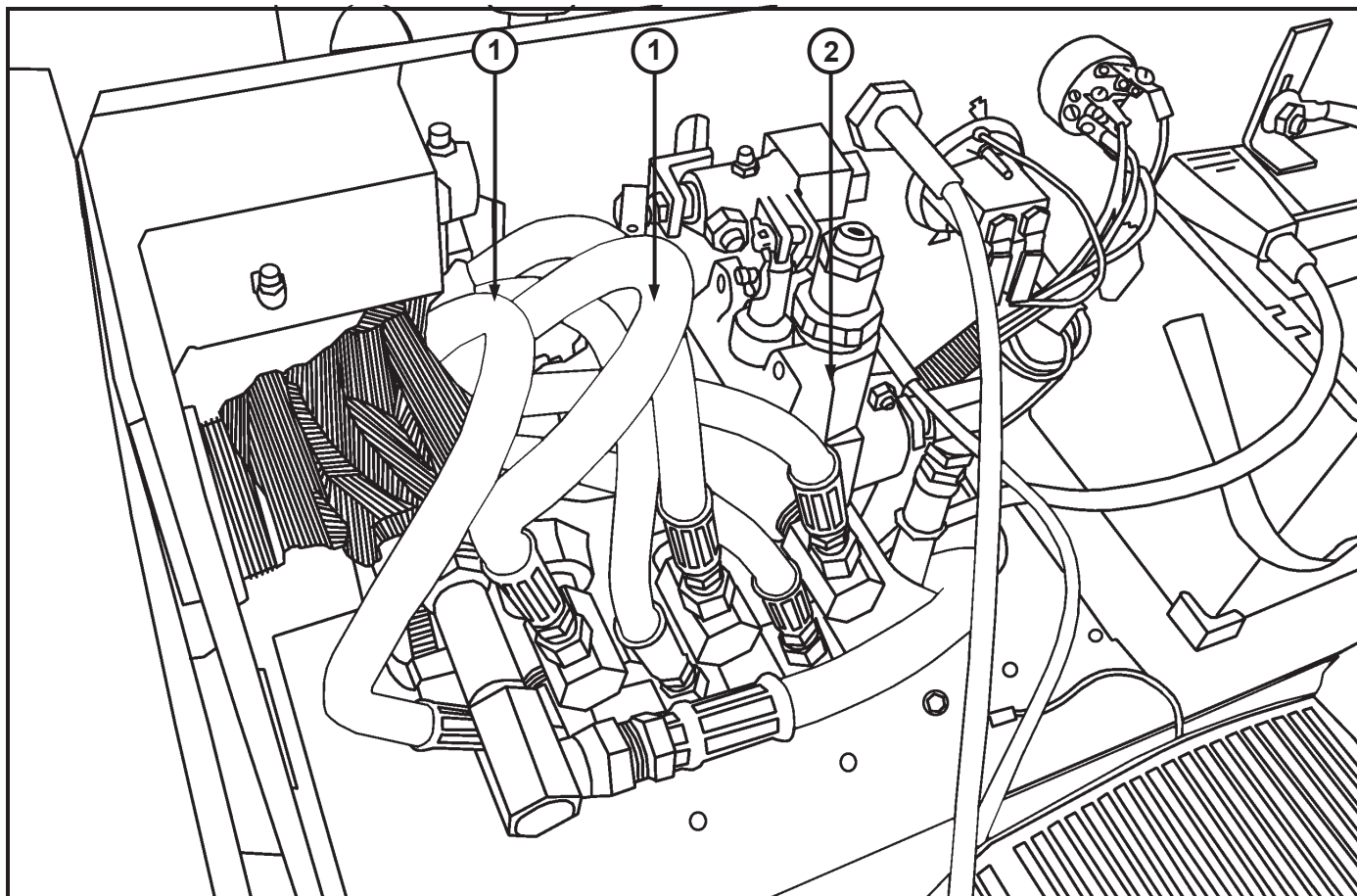


ITEM	PART NUMBER	DESCRIPTION	QTY.
1	80119	Hose, 1/4" x 109", MP x MP, Clam Bucket, T6/T9	2
2	23174	Fitting, 1/4" M x 1/4" F 45 D	2
3	20174	Fitting, 1/4" M x 1/4" Straight, Swivel	4
4	88425	Hose, 1/4" x 25", T5C/T5D/T6/T7/T9	2
5	80029	Hose, 1/4" x 42", T5C/T5D/T6/T7/T9	2
6	21403	Handle, Valve, Loader (Used with Clam Shell Bucket Only)	1

View of Dash for Clam Shell 4 in 1 Bucket (Factory Installed Option)



View Under the Dash for Clam Shell 4 in 1 Bucket (Only as Factory Installed Option)



ITEM	PART NUMBER	DESCRIPTION	QTY.
1	80119	Hose, 1/4" x 109", MP x MP, Clam Bucket, T6/T9	2
2	20146	Valve, Loader, 3 Spool (Used with Clam Shell Bucket Only)	1
NOT SHOWN	22784	Fitting, 1/2" M 90 x 1/4" Swivel	2

Translation Chart

ENGLISH	FRANÇAIS	DEUTSCH	ESPAÑOL
adapter	adaptateur	Zwischenstück	adaptador
arm	bras	Arm	brazo
axle assembly	essieu ensemble	Achse vollst	eje conjunto
axle shaft	arbre d'essieu	Achsenwelle	barra eje
bearing	palier	Lager	cojinete
body	carrosserie	Karosserie	carrocería
body assembly	ens carrosserie	Karosserie vollst	conj carrocería
bolt	boulon	Bolzen	bulón
boom	flèche	Hubarm	aguilón
boot	capuchon	Kappe	capuchón
bracket	support	Winkel	grampa
brake head assembly	étrier frein ens	Bremskopf vollst	cabeza freno conj
brake lever assembly	ens levier trein	Bremsebel vollst	conj planca freno
brake shoe	patin frein	Bremsschuh	zapata freno
breather	reniflard	Entlüse	carcasa
bucket	godet	Schaufel	cucharón
bushing	chemise	Buchse	buje
button	bouton	Knopf	botón
cable	câble	Kabel, Seil	Cable
cam	came	Nocke	leva
cap	chapeau	Kappe	tapa
carburetor	carburateur (mélangeur)	Vergaser	carburador
case	carter	Gehäuse	caja
chain	chaînes	Kette	cadena
Channel	canal, moulure	U-Träger, Profil	perfil
choke	enrichisseur	Starterklappe	ahogador
circuit breaker	disjoncteur	Unterbrecher	disyuntor
circuit	circuit	Stromkreis	circuito
clamp	attche, collier	Klammer, Einspannbacke	abrazadera
cleaner	épurateur	Luftreiniger	filtro
clevis	chape	Gabelkopf	horquilla
clip	agrafa	Klemme, Bügel	fbroche
collar	collier	Bundring, Flansch	collar
column	montant, colonne	Säule	columna de dirección
cone	cône, bague intérieure	Konus, Kegel	cónico
connecting	de liaison	verbinden	conectar
connection	connexion	Verbindungsstück,	conexión
connector	raccord	Anschluss, Stecker	conector
control	commande	Steuerung, Betätigung	control
converter	convertisseur	Drehmomentwandler	convertidor
cotter pin	goupille fendu	Splint	chaveta
counterweight	contrepoids	Gegengewicht	contrapeso
coupler	raccord	Anschlusstück, Schnellwechsler	conector, enganche
coupling	accouplement	Verbindungsstück	acoplamiento
cover	couvercle	Deckel	cubierta, tapa
crankcase	carter moteur	Kurbelgehäuse	cárter
crankshaft	vilebrequin	Kurbelwelle	cigüeñal
crosshead	traverse	Kreuzkoph	cruceta
cup	coupelle	Aussenring, Schale	taza

Translation Chart (Continued)

ENGLISH	FRANÇAIS	DEUTSCH	ESPAÑOL
cushion	coussin	Dämpfungselement, Sitzpolster, Vollgummi	amortiguador
cylinder	cylindre	Zylinder	cilindro
cylinder block	bloc-cylindres	Motorblock, Zylinder- block	bloque de motor
decals	décalque, décalcomanie	Abziehbild, Beschriftung	calcomania
detachable	amovible	abnehmbar, geteilt	separable
differential	différentiel	Differential	diferencial
diode	diode	Diode	diodo
dipstick	jauge baïonnette	Messstab	varilla medidora
direction switch	inverseur de marche	Richtungsschalter	interruptor de direccion
directional	de sens de marche	richtungsabhängig	sentido de marcha
disc	disque	Scheibe	disco
distributor	allumeur	Verteiler, Zündverteiler	distribuidor
divider	diviseur, répartiteur	Teller, Verteiler	divisor
dowel	goujon	Passstift, Haltestift	espiga
drive axle	essieu moteur	Antriebsachse	eje motriz
drum	tambour	Trommel	tambor
dual	jamelé, double	doppelt, zweifach	doble
elbow	coude	Kniestück, Winkelstück	codo
element	élément	Element, Einsatz	elemento
enclosure	carter, carénage	Umrandung, Gehäuse	compartimiento
end	terminal, extrémité	Ende	extremo
engine	moteur	Motor	motor
exhaust	échappement	Auspuff	escape
extension	prolongement, rollonge	Verlängerung	extensión
exhaust valve	souparpe d'échappement	Auspuff-, Auslassventil	válvula de escape
fan	ventilateur	Lüfter	ventilador
felt	feutre	Filz	anillo de retén
fender	aile, pare-boue	Schutzblech, Kofflügel	guardabarros
film	film, autocollant	Aufkleber	película
filter	filtre	Filter	filtro
fitting	graisseur, raccord	Nippel, Schraubverbindung	acoplamiento
flap	rabat, bavette	Felgenrand, Klappe	pestaña
flasher	clignotant	Blinkgeber	contacto intermitente
flash lamp	ampoule de clignotant	Blinkleuchte	bombilla intermitente
float	flotteur	gleiten, schwimmen	flotador
floor	sol, plancher	Boden	piso
flow	débit, courant, flux	Strömung, Durchfluss	flujo
flywheel	volant (moteur)	Schwungrad	volante
flow protector	protecteur de débit	Durchfluss-Schutzvorrichtung	protector de flujo
foot	ped	Fuss	pie
fork	fourche	Gabel	horquilla
forward	en avant	vorwärts	adelante, hacia adelante
frame	châssis	Rahmen	bastidor
front	avant	vorne, Front	frente, parte delantera
fuel	carburant	Kraftstoff	combustible
FFTL	triple levée	Dreifach-Vollfreihub	alto despejo libre
fuse	fusible	Sicherung	fusible
gasket	joint	Dichtung	junta

Translation Chart (Continued)

ENGLISH	FRANÇAIS	DEUTSCH	ESPAÑOL
guage	jauge	Anzeiger	medidor, indicador, calibrador
gear	pignon, engrenage	Zahnrad, Gang	engranaje
glow plug	bougie de préchauffage	Glühkerze	bujía incandescente
grommet	virole	Tülle, Dichtungsring	arandela aislante
group	ensemble	Gruppe, Satz	grupo
guard	protecteur	Schutz, Abdeckung	protector
guide	guide	Führung	guía
hand brake	frein à main	Handbremse	freno de emergencia
handle	poignée	Griff, Handgriff	asa
harness	faisceau	Kabelbaum, Verdrahtung	mazo de cables
head	tête	Kopf	culata
head lamp	phare AV	Scheinwerfer	luz delantera
height	hauteur	Höhe	altura
hinge	charnière	Gelenk, Scharnier	bisagra
hold down	tendeur	Aufspannvorrichtung	sujetador
holder	support	Halter	soporte
hood	capot	Motorhaube	capó
hook	crochet	Zughaken	gancho
horn	avertisseur	Hupe, Signalhorn	bocina
hose	durite, flexible	Schlauch	manguera
housing	boîtier, carter	Gehäuse	caja
hub	moyeu	Nabe, Radnabe	maza
hydraulic	hydraulique	Hydraulik	hidráulico
ignition	allumage	Zündung	encendido
indicator	indicateur	Anzeigevorrichtung	indicador
injection	injection	Einspritzung	inyección
injector	injecteur	Einspritzventil	inyector
inner	intérieur	innen	interior
insert	pièce rapportée	Einsatz	inserto
instrument	instrument	Instrument	instrumento
insulation	isolation	Isolierung	aislante
insulator	isolateur	Isolator, Nichtleiter	aislador
intake valve	soupape d'admission	Ansaugventil	válvula de admisión, válvula de aspiración
interface	surface de réparation, interface	Übertragungseinheit	entrecara, zona Interfacial
jacket	chemise, jupe	Mantel, Wärmeisolierung	camisa, chaqueta
intermediate	intermédiaire, moyen	indirekt	intermedio, medianero
joint	joint	Gelenk, Verbindung	junta, unión, juntaura
keeper	détente	Gegenmutter, Halter	tirante, fijader, retentór
key	clé, clavette	Schlüssel, Keil	llave
lever	levier	Hebel	palanca
leveler	niveleur, correcteur	Planierer	nivelador
light	lumière	Leuchte	luz
line	canalisation	Leitung	tuberia
liner	chemise, garniture	Laufbuchse	camisa
lining	revêtement, garniture (frein)	Auskleidung, Belag	revestimiento, forro
link	baillette, maillon	Glied, Gelenkstück	eslabón
locknut	contre-écrou	Kontermutter, Siche-	tuerca de traba

Translation Chart (Continued)

ENGLISH	FRANÇAIS	DEUTSCH	ESPAÑOL
		rungsmutter	
lockwasher	rondelle d'arrêt	Federring	arandela de seguridad
magnet	aimant	Magnet	imán
manifold	collecteur	Krümmer	múltiple
master cylinder	maître-cylindre	Hauptzylinder	cilindro maestro
maximum	maximum	maximal	máximo
meter	instrument, mètre	Messgerät	medidor, dosificador
modulating	de modulation	Modulation	modulador
motor	moteur	Motor, elektr.	motor
mount	support	anbauen, montieren	montar
mounting	montage	Befestigung, Anbausatz	montaje
muffler	silencieux d'échappement	Schaildämpfer	silenciador
nipple	graisseur	Schmiernippel	boquilla
nut	écrou	Mutter	tuerca
oil	huile	Öl	aceite
oil level	niveau d'huile	Ölstand	nivel del aceite
outer	extérieur	aussen	exterior
oil filter	filtre à huile	Ölfilter	filtro de aceite
O-ring	joint torique	O-Ring	sello anular
oversize	surdimensionné, majoré	Übermass, Übergrosse	sobremedida
packing	garniture d'étanchéité	Abdichtung	empaquetadura
pad	tampon, coussin	Polster, Unterlagsblock	almohadilla
pan	carter, cuvette	Ölwanne	colector del cárter
panel	tableau	Verkleidungsblech, Instrumentenbrett	panel, tablero de instrumentos
pedal	pédale	Pedal	pedal
pin	goupille, axe	Bolzen, Stift	pasador
pinion	pignon	Ritzel	piñón
piston	piston	Kolben	pistón
pivot	pivot	Anlenk-, Drehpunkt, Auf- hängung	pivote
plate	plaque, plateau	Platte, Blech	placa, plancha
plug	bouchon	Schraubstopfen	tapón, bujía
plunger	plongeur	Tauch-, Ventilkolben	émbolo
polished	poli	poliert	pulido
precleaner	préfiltre	Vorreiniger	antefiltro
primary	primarire	Haupt-, Vor-, primär	primario
priority	priorité, séquence	Sicherheits-, Vorrang	prioridad
protector	protecteur	Schutzvorrichtung	protector
pulley	pulie	Riemenscheibe	polea
pump	pompe	Pumpe	bomba
push rod	poussoir	Schubstange	varilla de empuje
race	chemin de roulement, cuvette	Lager-, Lauftring	anillo de cojinete
radiator	radiateur	Kühlernetz	radiador
rail	rail (glissière)	Schiene	riel, mástil
rear	arrière, AR	rückwärts, hinten	posterior, trasero
rectifier	redresseur	Gleichrichter	rectificador
regulator	régulateur	Regler, Reguliervorrichtung	regulador
relay	relais	Relais	relé

Translation Chart (Continued)

ENGLISH	FRANÇAIS	DEUTSCH	ESPAÑOL
relief valve	soupape de décharge	Überdruckventil	válvula de alivio
repair	réparation	Reparatur	reparación
required (Reqd.)	requis	erforderlich	requerido
reservoir	réservoir	Tank	depósito, tanque
retainer	arrêtoir	Halterung	retén
reverse	marche AR	Rückwärtsgang	marcha atrás, reverso
right hand (RH)	côté droit, à droit	rechts	lado derecho (L.D.)
ring	anneau, joint	Ring	anillo, aro, argolla
rivet	rivet	Niete	remache
rocker arm	culbuteur	Kipphebel	balancin
rod	bielle	Stange, Pleuelstange	varilla
roller	galet	Laufrolle	rodillo
rotor	rotor	Rotor, Laufrad	rotador, rotor, rodete
seal	joint	Dichtring	sello
seal-o-ring	joint torique	O-Ring-Dichtung	anillo, anillo de estancamiento
sealant	produit d'étanchéité	Dichtungsmittel	sellante, sellador
seal-u-cup	joint en demi-lune	U-Profil-Dichtungsring	copa en "U"
seat	siège	Sitz	asiento
secondary	secondaire	Anbau-, Hilfs-, Sekundär	secundario, auxiliar
sender	émetteur, sonde	Geber (Kraftstoffstand)	sensor
sending unit	émetteur	Messwertgeber	unidad sensora
separator	séparateur	Separator, Abscheider	separador
setscrew	vis de fixation	Gewindestift	tornillo de traba, tornillo prisionero
shaft	arbre, axe	Welle	eje, mango largo, rastágo
shield	bouclier, écran de protection	Abdeckung, Schild	protector
shim	cale de réglage	Beilagscheibe	calce
short block	bloc-moteur nu	Teil-, Skelettmotor	bloque de motor sin accesorio, bloque parcial
shroud	panneau, plaque	Abdeckplatte	cubierta, refuerzo de ventilador
sideshift	déport latéral	Seitenschubvorrichtung	desplazador lateral
sleeve	manchon, chemise	Büchse, Hülse	manguito
snap	jonc d'arrêt	Sprengring	anillo de presión, cierre de resorte
socket	douille, chape	Fassung	enchufe
solenoid	solénoïde	Magnetspule	solenoide
spacer	entretoise	Distanzstück	espaciador
spark plug	bougie d'allumage	Zündkerze	bujía
spider	croisillon	Gelenkkreuz	cruceta
spindle	pivot, fusée, broche	Spindel, Achszapfen	punta de eje
spool	tiroir	Ventilstößel	carrete
springs	ressort	Feder	resortes
sprocket	barbotin	Antriebsrad	rueda dentada
standard (Std.)	normal	Standard	estándar
starter	démarrreur	Anlasser	arranque
stationary (Stat.)	stationnaire	Aussenmast, stationär	estacionario, inmóvil
stator	stator	Ständer, Stator	estator

Translation Chart (Continued)

ENGLISH	FRANÇAIS	DEUTSCH	ESPAÑOL
steering	directon	Lenkung	dirección
stem	tige	Schaft	vóstago
strainer	filtre, crépine	Sieb	filtro
strap	sangle	Riemen, Gurt	banda, correa
strut	étais, tirant	Strebe	tirante de dirección
stud	goujon, tenon	Stehbolzen	espárrago
support	support	Auflager, Abstützung	soporte
switch	interrupteur	Schalter	interruptor
tag	étiquette	Anhänger	etiqueta
tapered	conique	konisch, kegelförmig, verjüngt	perfil cónico, aguzado
tappet	poussoir	Anschlag, Stößel	levantaválvulas
tee	té	T-Stück	conexión "T"
terminal	borne	Anschlussklemme	terminal
thermistor	thermistor	Thermistor, Temperatur- fühler	termistor
thermostat	thermostat	Thermostat	termostato
tightner	tendeur	Spanner	tensor, ajustador
tilt cylinder	vérin d'inclinaison	Neigezylinder	cilindro de inclinación
tire	pneumatique	Reifen	neumático
transfer	déclacomane, autocollant	Abziehbild	transferencia
transmission	transmission, boîte de vi- tesses	Getriebe	transmisión
tread-step	marchepied	Triffstufe	estribo antirresbalante
tube	tuyau, tube, gicleur	Rohr, Schlauch	tubo
tubing	canalisations	Rohr, Schlauchleitung	tuberias, tubos
undersize	sous-dimensionne, minore	Untermass	bajomedida
union	raccord	Anschlusstück, Verbinaung	unión
universal joint	cardan	Kreuzgelenk	junta universal
upright	montant	senkrecht, Hubgerüst	montante vertical
valve	soupape, clapet	Ventil	válvula
valve mechanism	culbuterie	Ventilsteuerung	mecanismo de válvulas
vacuum	vide, dépression	Vakuum, Unterdruck	vacio, vacuómetro
washer	rondelle	Unterlegscheibe	aradela
water	eau	Wasser	agua
water pump	pompe à eau	Wasserpumpe	bomba de agua
wear strip	bande d'usure	Verschleissstreifen	plancha de desgaste
wheel	roue	Rad	rueda
wheel cylinder	cylindre de roue	Radbremszylinder	cilindro de rueda
wiper	racleur	Wischer, Abstreifer	limpiaparabrisas
wire	fil	Draht, Leitung	alambre, cable
wire harness	faisceau de fils	Kabelbaum	mazo de cables
wire marker	marquer de fil	Kabelmarkierung	marcador de alambre
worm	vis sans fin	Schnecke	tornillo sin fin
wrap	revêtement, enveloppe	Hülle	envolver, envoltura
yoke	chape	Gabelgelenk, Joch	horquilla

Index

A

Arm Link Brace, Left	2.3	Boom Lock, T5C/T5D	2.48
Arm Link Brace, Right	2.3	Boss, Spindle Lock	2.6
Assembly:		Box, Manual, Operator's Seat	2.33
Arm	2.5	Bracket:	
Axle, Front	2.7	Aluminum, Rear Valve Handle	2.35, 2.39
Axle, Front, Ball Socket	2.8	Hydraulic Filter	2.32
Boom, Curved, T5D/T7	2.50	Brake:	
Boom, T5D	2.48	Band	2.45
Dipper, T5D	2.48	Cable	2.45
Dipper, T7	2.50	Drum, Weldment	2.44
Engine, Command 20 hp	2.17	Off Set Link	2.45
Engine, Kubota, 25 hp	2.15	Breaker:	
Filter, Hydraulic	2.32	Circuit, 15 Amp	2.24
Hub, 5 on 4.5	2.9	Circuit, 50 amp	2.24
ROPS, Front and Rear	2.2	Bucket:	
Seat, w/Swivel Disc w/Arm	2.33	16", Quick Attach, T5C/T5D/T7	2.51
Spring	2.27	Loader, 56" Wide	2.2, 2.3
Tire & Rim, Front	2.9	Bulb:	
Tire & Rim, Rear - HFT	2.43	Halogen	2.2
Axle:		Light, Warning	2.23
Front	2.6, 2.8	Bushing:	
Rear	2.44	Bucket - 1" ID x 1 1/4" OD x 1" L	2.51

B

Backhoe Assembly T7 180°	2.53	Bucket - 1 1/2" ID x 1 3/4" OD x 2" L	2.51
Assembly, Boom, T7		Bucket - 1 1/2" ID x 1 3/4" OD x 3" L	2.51
Bolt, 1/2-13 x 3" NC Gr8 Z		Bracket - 9/16" ID x 1 OD x 7/8" L	2.45
Bolt, 3/4-16 x 2 3/4" Gr8 Z		Bracket - 9/16" ID x 1 OD x 1 1/4" L	2.45
Bolt, 3/8-16 x 1" Gr 8 ZP		Assembly, Dipper, T7	
Bolt, 5/16" NC x 7" L, Gr 8 Z		Bolt, 1/4" x 3/4" NC Gr8	
Boom Latch, Curved Boom		Bolt, 3/8-16 x 1 1/4" Gr8 Z	
Bracket, Radiator Arm (Left) Perkins		Bolt, 5/16" NC x 4 1/2" L, Gr8 Z	
Bushing, 1.5" ID x 1.75" OD x 1.25" L		Bolt, 5/16" x 3/4" NC Gr8 Z	
Cover, Rear Valve, V-10		Bracket, Engine Mounting, Perkins, 20hp	
Cylinder, Crowd		Bracket, Radiator Arm (Right) Perkins	
Fitting, #6 O-ring Plug		Bushing, 1.5" ID x 1.75" OD x 2" L	
Nut, 1/2" NC Lock Z		Cylinder, Boom	
Nut, 3/4-16, Nylon Lock Gr8 Z		Cylinder, Trunnion Swing	
Nut, 5/16-18, Hex NC		Mount, Rubber Isolator	
Pin, 5/16", Swing Cylinder		Nut, 1/4" NC Lock Z	
Pin, 7 1/4" Boom to Dipper		Nut, 3/8" NC Flange Z	
Pin, Cotter, Case Hard		Pin, 4 3/4", Swing Pivot	
Plate, Swing Cylinder		Pin, 6 7/8" Crowd & Rear Curl Cylinder	
Ring, External, Snap, 1 1/2"		Pin, 8 1/4" Boom Cylinder to Swing	
Spacer, Frame, Front Valve Washer		Plate, Back Valve Cover, V-10 6 Spool	
Stop, Plastic Swing		Plate, Top Valve Cover, V-10 6 Spool	
Washer, 1/2" USS		Spacer, Boom Hose	
Washer, 1/4" Flat USS		Spacer, Swing Hose Guide	
Base, Warning Light	2.23	Swing, 180, T7/T9	
Battery, Group 26	2.21	Washer, 1/2" x 2" OD Z	
Bearing:		Washer, 5/16", Lock Z	
Front, Inner	2.9	Base, Warning Light	2.23
Front, Outer	2.9	Battery, Group 26	2.21
Kit w/no Hub	2.9	Bearing:	
Thrust, F Spin	2.6	Front, Inner	2.9
Belt, Seat	2.33	Front, Outer	2.9
Blade, 4 in 1 Bucket 56"	5.2	Kit w/no Hub	2.9
Block:		Thrust, F Spin	2.6
Pedal	2.29	Belt, Seat	2.33
Pillow, Bearing	2.29	Blade, 4 in 1 Bucket 56"	5.2
Pivot, Universal Rear	2.39	Block:	
Pivot, Wobblestick, Front	2.22	Pedal	2.29
Bolt:		Pillow, Bearing	2.29
1/4" - 20 x 2 1/2" Gr8 Z	2.6	Pivot, Universal Rear	2.39
3/8" x 1 3/4" NF Gr8 Z	2.44	Pivot, Wobblestick, Front	2.22
1/2 x 3 1/2" NC Gr8 Z	2.12	Bolt:	
14 mm x 90 mm C2.0z Brake 38748	2.45	1/4" - 20 x 2 1/2" Gr8 Z	2.6
Parking Brake	2.45	3/8" x 1 3/4" NF Gr8 Z	2.44
Pedal Stop	2.29	1/2 x 3 1/2" NC Gr8 Z	2.12
Spring Centering	2.29	14 mm x 90 mm C2.0z Brake 38748	2.45
Wobblestick Hinge, Front	2.22	Parking Brake	2.45
Boom Latch, Curved Boom	2.47	Pedal Stop	2.29

C

Cable:		Tooth, Tiger, HD	2.54
Battery to Ground, Black	2.21	Center Assembly, Quick Attach, T5C/T5D/T7	2.51
Battery to Starter	2.21	Checks, Anti-Cavitation	2.37
Boom Latch Control, T-Handle	2.36, 2.40	Clam, 4 in 1 Bucket, 56"	5.2
Choke	2.26	Cover, Rear Valve (Boom Latch)	2.36
Throttle, Command/Honda	2.26	Cylinder:	
Throttle, Diesel	2.25	4 in 1 Bucket	5.2
Cap:		Arm Lift	2.5
Center, Steering Wheel	2.25, 2.26	Boom and Crowd, T7	2.50
Dust	2.9, 2.10	Boom, T5/T5C/T5D	2.48
Hydraulic, w/Dipstick & Breather	2.30	Boom, T7	
Safety, Green (Diesel)	2.31	Crowd, T5/T5C/T5D	2.48
Safety, Red (Gas)	2.31	Front Curl, Left	2.5
Tooth, Standard Pin, T5C/T5D/T6/T9	2.54	Front Curl, Right	2.5
Tooth, Tiger	2.54	Outrigger	2.46
Tooth, Tiger, HD	2.54	Outrigger, T5C/T5D/T7	2.48
Center Assembly, Quick Attach, T5C/T5D/T7	2.51	Power Steering	2.7
Checks, Anti-Cavitation	2.37	Power Steering, Ball Socket Style	2.8
Clam, 4 in 1 Bucket, 56"	5.2	Rear Curl T5C/T5D	2.48
Cover, Rear Valve (Boom Latch)	2.36	Rear Curl T5D/T7	2.50
Cylinder:		Swing	2.49
4 in 1 Bucket	5.2	Swing w/Tee Fitting	2.47
Arm Lift	2.5		
Boom and Crowd, T7	2.50		
Boom, T5/T5C/T5D	2.48		
Boom, T7			
Crowd, T5/T5C/T5D	2.48		
Front Curl, Left	2.5		
Front Curl, Right	2.5		
Outrigger	2.46		
Outrigger, T5C/T5D/T7	2.48		
Power Steering	2.7		
Power Steering, Ball Socket Style	2.8		
Rear Curl T5C/T5D	2.48		
Rear Curl T5D/T7	2.50		
Swing	2.49		
Swing w/Tee Fitting	2.47		

Index (Continued)

D

Decal:	
American Flag	3.2
Black, Large	3.7
Black, Radius, Terramite	3.7
Black, Small	3.2
Black, TMC Jumbo Logo	3.1
Black, WV	3.2, 3.6
Boom Latch Operator	3.8
Call Before U Dig	3.4
Caution, Hydraulic Premature Failure	3.5
Controls, Front Bucket	3.4
Danger, Parking Brake - NIU	3.3
Diesel Fuel Only	3.6
Digging Depth 8'8"	3.7
Gasoline Only	3.6
Maintenance Diesel Only	3.9
Maintenance Gas Only	3.9
Oil, Citgo/Terramite	3.5
Operator Danger	3.8
Parking Brake	3.6
Pinch Point	3.4
Pinch Point, Stand Clear	3.9
Plate, TMC Starting 1965	3.3
Read Operator's Manual	3.3
Reflector, Amber	3.2
Reflector, Red	3.7
Safety First	3.4
Serial Number Plate	3.4
Stand Clear, Red	3.2, 3.7
Terramite, Large	3.2
Throttle Plate	3.4
Vertical, Read Owners Manual	3.8
Warning, Crush Hazard	3.7
Warning Roll Over	3.3
Wobblestick and Operator Hazard	3.34
Work Lights, Plate F&R	3.4
Detent Spring	2.20
Diode Harness, Dual	2.24
Drive Motor	2.45
Drive Motor Flange	2.45

E

Edge, Cutting, 56" Loader	2.3
---------------------------	-----

F

Filter:	
Air	2.14
Fuel, 5/16"	2.13
Fuel, Element, 25 & 32.5 hp	2.13
Gas, Fuel, 1/4"	2.18
Head	2.32
Hydraulic	2.32
Hydraulic, Spin On	2.32
In Line Hydraulic	2.27
Oil, 25 hp	2.13
Oil, Engine, CH20	2.18
Oil, Engine, Kubota	2.16
Fitting:	
#8 MP x #8 JIC Long 90	2.41
#8 O-Ring x #4 JIC FM	2.19
#8 O-Ring x #6 JIC	2.19
#8 O-Ring x #6 JIC 90	2.41
#10 O-Ring x #8 JIC 90	2.41
#10 O-Ring x 7/8" MB x 1/2" F, Bushing	2.41
#12 O-Ring x 1/2" FPT	2.34, 2.37
1/4" M x 1/4" F 45°	2.7, 5.3
1/4" MP x 1/4" F 90° D, Swivel	5.2
1/4" MP x 1/4" FM Straight	2.47
1/4" MP x 1/4" FM Swivel	2.11
1/4" M x 1/4" Straight, Swivel	5.3
1/4" Swing to Valve, 20"	2.47
1/4" Swing to Valve, 25"	2.47

1/4" Tee	2.47
3/8" M 90° x 1/4" F, Swivel	2.4
3/8" M x 1/4" F 45, Swivel	2.34, 2.37
3/8" M x 1/4" F, Straight Swivel	2.4
3/8" M x 3/8" FM Swivel	2.4
3/8" MP x 3/8" 90° Swivel, Stubby	2.4
3/8" MP x 1/4" FP 45, Restrictor	2.34, 2.37
3/8" Tee, Weld-on	2.4
1/2" F 90 x 1" F, Swivel	2.20
1/2" M x 1/2" FM 45, Swivel	2.34, 2.37
1/2" M 90 x 1/4" F, Swivel	2.20
1/2" M 90 x 1/2" F, Swivel	2.20
1/2" MB x #8 JIC Long 90	2.41
1/2" MP x 3/8" F 90, Swivel	2.20
3/4" MB x 3/8" F, Bushing HD	2.34, 2.37
7/8" MP 90 x 1/2", Swivel	2.34, 2.37
Grease, 1/4", 28 Straight	2.6
Grease, 1/4" 90°D	2.39
Nipple	2.20
Reducer, 3/4" x 1/2" FM	2.20
Flange, Drive Motor	2.44
Four-Way (4-Way), 3 Position Valve- V20	4.35
Check, Load	Housing
Positioner, Spool, Standard	Retainer, Assembly
Retainer, Plate Washer	Seal, O-Ring
Washer, Back-up	

G

Gauge, Fuel	2.31
Gear:	
Power Steering	2.19
Pump	2.27
Guard:	
Outrigger	2.46
Outrigger, T5C/T5D/T7	2.48

H

Handle:	
Boom Lock, T5C/T5D	2.48
Outrigger	2.35, 2.36
Outrigger/Offset V10-1294	2.40, 4.23
Valve, Loader	5.3
Wobblestick, Front	2.25
Wobblestick, LH & RH V10-1294	4.18
Wobblestick, Left & Right	2.40
Wobblestick, Left Rear	2.34, 2.36
Wobblestick, Right Rear	2.34, 2.36
Harness, Wiring, Dash, Perkins	2.23
Hood	2.11
Hose:	
1/4" Swing Crossover, 15"	2.47
1/4" x 18"	2.4
1/4" x 24"	2.38, 2.42
1/4" x 25"	2.38, 2.42, 5.3
1/4" x 36"	2.38
1/4" x 38"	2.4, 2.11
1/4" x 39"	2.42
1/4" x 42"	5.3
1/4" x 48"	2.42
1/4" x 51"	2.38
1/4" x 65", 1/4 MP x #4 Short JIC 90	2.19
1/4" x 65" Power Steering	2.27
1/4" x 67"	2.42
1/4" x 70"	2.4, 2.11, 2.21
1/4" x 72	2.38
1/4" x 87"	2.42
1/4" x 91"	2.42
1/4" x 98"	2.38
1/4" x 109", MP x MP, Clam Bucket	5.3, 5.4
1/4" x 124"	2.42
1/4" x 130"	2.42
1/4" x 136"	2.38
3/8" x 25"	2.27

Index (Continued)

3/8" x 26"	2.4		
3/8" x 28"	2.4		
3/8" x 58"	2.27		
3/8" x 58", #6 Short JIC 90 x 3/8 MP	2.19		
3/8" x 70"	2.4, 2.11, 2.21		
1/2" x 20"	2.27, 2.28		
1/2" x 31"	2.27		
1/2" x 40"	2.38		
1/2" x 45"	2.21		
1/2" x 47"	2.42		
1/2" x 47" Oil Filter to Back Valve	2.27		
1/2" x 57"	2.27, 2.38, 2.42		
1/2" x 78"	2.21		
1/2" x 80"	2.27, 2.38		
1/2" x 96" Front Valve to Oil Cooler	2.27		
1/2" x 123" Oil Cooler to Oil Filter	2.27		
1/2" x 180"	2.42		
1/2" M 90 x 1/4" Swivel	5.4		
3/4" x 27"	2.27		
1" x 24"	2.27		
Hourmeter	2.24, 2.25, 2.26		
Hub, 5 on 4,5"	2.6, 2.9		
Hydrastatic Transmission:	4.25, 4.26		
Adapter Assy with Power Steering	Adapter Assembly with Power Steering - Diesel		
Adapter Assy without Power Steering	Back Up Washer		
Backplate Assy Cessna, w/o Power Steering	Backplate Assy., Eaton, with Power Steering		
Backplate Assy., w/valve plate, Eaton	Bearing		
Bearing Race	Bearing, Thrust		
Camplate, For Cessna Trans.	Camplate, For Eaton Trans.		
Cap Screw	Check Valve Assembly		
Coupler	Cover Plate		
Drive Shaft	Gerotor and Coupler		
Housing Assembly	Housing, Gasket		
Inner Race	Key		
O-Ring 3 ³ / ₃₂ " x 7 ⁷ / ₈ " ID, Back Plate	O-Ring in Back		
O-Ring, 1 ¹ / ₁₆ " x 3 ³ / ₈ "	O-Ring, 1 ¹ / ₁₆ " x 3 ¹ / ₄ "		
O-Ring, 3 ³ / ₃₂ " x 1 ⁵ / ₁₆ ", Outer Pintle	O-Ring, 3 ³ / ₃₂ " x 4 ¹ / ₆₄ "		
O-Ring, 3 ³ / ₃₂ " x 7 ⁷ / ₈ "	O-Ring, Molded		
O-Ring, Outer Pintle	O-Ring, 1 ¹ / ₁₆ " x 7 ⁷ / ₁₆ "		
Pin	Plate, Valve		
Plug Assembly	Poppet Filter Relief		
Relief Valve Assembly	Retaining Ring		
Rotating Kit Assembly	Rotating Rebuild Kit, Cessna		
Screws, Trunnion Cover	Seal Cover		
Seal Repair Kit Eaton	Seal Repair Kit, Cessna		
Seal, Pintle	Separator Plug		
Shaft Seal	Spreader		
Spring	Spring Retainer		
Spring, Transmission, Relief Valve	Steel Ball		
Trunnion Cover	Washer		
IJ			
K			
Key:			
Coupler, Cessna	4.29		
Torque Motor, TRW/Parker	2.44		
Key Switch, Kubota	2.25		
Key Switch, Perkins	2.25		
Kit:			
Air Cleaner Filter, 3 Cylinder, Kubota	2.14		
Cavitation Check Cartridge, V10-1294	4.20		
Decal, Complete, Skid Tape	3.1		
LH Mech Wobblestick, Pivot Section	4.18		
Load Check	2.35		
Load Check Plug, V10-1294	4.24		
Mechanical Wobblestick Pivot Section, V10-1294	4.22		
Plug Seal, Power Beyond, V10-1294	4.21		
Plug Seal, Relief Cartridge, V10-1294	4.21		
RH Mech Pivot Section, RH, V10-1294	4.18		
Seal, Double Gear Pump	4.29		
Section Seal, V10-1294	4.18		
Spool Lip Seal, V10-1294	4.24		
Spool Positioner, V10-1294	4.24		
Knob:			
Red	2.48		
Red, Wobblestick Handle, Valve	2.25, 2.34, 2.36, 2.40, 4.18		
Seat Shaft	2.33		
L			
Latch, Hood	2.12		
Lens, Warning Light, Red, Diesel	2.23		
Light, Flood, Rectangle	2.2		
Link:			
Bar, Wobblestick Connecting	2.39		
"L", Front Valve	2.22		
"U", Valve	2.22, 2.39		
Linkage:			
Assembly, Center, T5C/T5D/T6/T7/T9	2.51		
Ball-Socket, Wobblestick	2.22, 2.39		
Link, Left, T5C/T5D/T6/T9	2.51		
Link, Right, T5C/T5D/T6/T9	2.51		
Load Check Plug Assembly:	4.36		
Plug, Lift Check, Steel	Poppet, Lift Check		
Seal Kit	Seal, O-Ring		
Seal, O-Ring, Outer	Spring, Lift Check		
Washer, Back-Up, Inner	Washer, Back-Up, Outer		
M			
MAB/MAE Torquemotor:	4.30		
Back-Up Washer	Bearing		
Bolt	Commutator		
Commutator Ring	Coupling Shaft		
Drive Link	End Cover Assembly		
Housing	Lock Washer		
Manifold	Manifold Plate		
Nut	O-Ring		
Plug	Retaining Ring		
Rotor	Rotor Set		
Seal	Seal Ring		
Special Bolt	Spring		
Stator	Thrust Bearing		
Thrust Washer	Valve (Shuttle)		
Vane	Washer		
Wear Plate			
Manual, Operator's	2.33		
Model J-HP High Pressure Relief - V20:	4.37		
Ball	Body		
Gasket, Relief Body	Guide, Spring		
Nut, Acorn Cap	Nut, Jam, Adjusting Screw		
O-Ring, Adjusting Screw	O-Ring, Valve Seat		

Index (Continued)

Hose, continued	
Poppet	Screw, Adjusting
Seat, Valve	Spring, Relief
Washer, Spacer	
Motor, Torque, Parker/TRW	2.28
Muffler, Center Outlet, Kohler Command 20hp	2.17
Muffler, Kubota	2.15

N

Nut:	
1/4" NC Lock Z	2.6
3/8" NC Flange Z	2.49, 2.51, 5.2
5/16" - 24 NF Jam	2.22, 2.39
Castlehead, 3/4", Front Hub	2.9
Hex, 1 1/4" - 12 Slotted Regular	2.6
Jam, 5/8" NF Z	2.7
Lug, 1/2" - 20 ID x 13/16" OD	2.9, 2.10, 2.43
Parking Brake	2.45
Stud, Rear Wheel	2.43

O

Oil Filter 25 HP Kubota	2.12
Outrigger	2.46
T5C/T5D	2.48

P

Pad:	
Outrigger Foot	2.46
Rear Axle Spring	2.44
Paint:	
Gray, Spray Can	3.9
Yellow, Spray Can	3.9
Pedal, Foot	2.29
Pin:	
4 1/8", Swing Cylinder to Swing	2.47, 2.49
4 1/8", Outrigger to Cylinder	2.46
4 3/4", Front Bucket to Arm	2.3
5 1/4", Arm Cylinder to Arm	2.5
5 1/4", Pull, Outrigger Pad	2.46
5 1/2", Arm Bracket to Arm Cylinder	2.5
5 1/2", Arm Link to Arm	2.3
5 1/2", Arm Link to Arm Cylinder	2.3
6 1/4", Outrigger, Boom	2.47, 2.49
6 1/2", Rear Curl Cylinder to Quick Attach, T5C/T5D/T6/T7/T9	2.51
6 7/8", Arm to Frame	2.11
6 7/8", Crowd and Rear Curl Cylinder, Dipper, T5C/T5D/T7	2.50
7 1/4", Boom to Dipper, T5C/T5D/T7	2.50
7 3/4", Boom Cylinder to Swing	2.47, 2.49
7 5/8", Dipstick to Linkage, T5C/T5D/T6/T7/T9	2.51
7 7/8", Arm Cylinder Rod to Frame	2.5, 2.11
8 1/4", Boom to Swing	2.47
8 1/4", Dipper/Bucket, Boom/Swing	2.49
8 1/4", Quick Attach Bucket, T5C/T5D/T7	2.51
8 1/2", Arm Lift Cylinder to Strut	2.12
9", Quick Attach Pull, T5C/T5D/T7	2.51
18", Swing Pin	2.47
Clam & Blade Pivot	5.2
Clam Cylinder Head End	5.2
Clam Cylinder Rod End	5.2
Clevis, 5/8 x 2 1/4"	2.8
Clevis, V10-1294	4.23
Cotter, 3/32" x 5/8", Linkage, Valve	2.22
Cotter, 1/8 x 1 3/4"	2.8, 2.9
Cotter, Case Hard	2.47, 2.49
Cotter, V10-1294	4.23
Front Axle Pivot, 1 1/4"	2.6
Linch	2.46, 2.51
Lock, Swing, T7/9	2.50
Pivot, Valve Hose Link	2.35, 2.39
Quick Release w/Ring Grip	2.12

Pins, 180° Boom	4.6
Pins, Curved Boom	4.4
Pins, Straight Boom	4.2
Plate	2.4
Instrument Panel, Diesel, Perkins	2.24
Wobblestick & Operator Hazard	2.39
Plug, Spark RC/12yc/71	2.17
Pump:	
Double Gear	2.28
Fuel, Kohler Command 20hp	2.18
Punch, for 1-05.SD & TT Tooth Caps	2.55

Q

Quick Attach, T5C/T7:	5.1
Blade, Landscape	Bucket, 10"
Bucket, 12"	Bucket, 16" (Standard)
Bucket, 18"	Bucket, 20"
Bucket, 24"	Bucket, 36"
Bucket, 38"	Bucket, 8"
Bucket, Loader, Flat Bottom, 56", T7	Edge, Cutting, Bolt-on, 56" w/Bolts, T7
Edge, Cutting, Serrated, 56" w/Bolts T7	Outrigger Pad Assembly, Flip Over
Ripper	

R

Race:	
5 on 5, Front, Inner	2.9
Old Style, In & Out and New Style Outer	2.9
Rear Axle:	4.31, 4.32

Baffle-Pinion Bearing	Bearing Assembly
Bolt-Break Mounting	Bolt-Carrier Cover
Bolt-Differential Bearing Cap	Bolt-Drive Gear
Bolt-Wheel	Cap-Differential Bearing
Case-Differential	Case-Differential
Clip-Differential Clutch Retainer	Companion Flange Assembly
Cover-Carrier	Disc-Differential
Gasket-Carrier Cover	Gear & Pinion Ass'y-Drive
Gear-Differential	Gear-Differential
Housing-Axle	Kit-Differential Bearing
Kit-Inner Pinion Bearing	Kit-Outer Pinion Bearing
Lock-Differential Shaft	Nut-Brake Mounting
Nut-Pinion	Pinion-Differential
Plate-Differential	Plate-Differential (Selective Thickness)
Plug-Cover	Retainer-Oil Seal
Ring-Snap	Ring-Wheel Bearing Retaining
Seal-Pinion	Seal-Shaft Inboard
Seal-Shaft Outboard	Shaft-Axle Flanged
Shaft-Differential	Shaft-Differential
Shim-Differential Bearing	Shim-Drive Pinion Adjusting
Shim-Pinion Bearing Adjusting	Slinger-Pinion Bearing Outer
Spacer-Differential Gear (Dished)	Thrust Washer-Differential Gear
Thrust Washer-Differential Pinion	Washer-Pinion Nut

Relay, Timer & Glow Plug	2.23
--------------------------	------

Relief:	
Port 2000#	2.35
Port 2600#	2.35

Relief Valve, Loader	2.20
Restrictor, w/Spring, Rear Valve	2.37

Rim:	
Front	2.10
Rear, 15" x 13"	2.43

Rod:	
22 1/4", Front Curl	2.5
Link, Loader Arm	2.3
Power Steering	2.7, 2.8
Rear Curl, T5D/T7	2.50
Swing	2.49
Roll Pin, Tooth Cap, SD	2.54

S

Sauer - Danfoss Transmission	2.27
------------------------------	------

Screw:	
Hex Head, V10-1294	4.23
Set, 1/2" - 20 x 1/2" Plain	2.6

Index (Continued)

Seal:	
Front, Hub	2.9
Shaft, Pedal	2.29
Spanner wrench for cylinder repair	2.55
Spindle:	
Front, Left, 9 5/8"	2.6, 2.9
Front, Right, 9 5/8"	2.6, 2.9
Spring:	
Boom Latch	2.36
Boom Lock, 5.5"L	2.48
Bracket, Parking Brake	2.45
Pedal, Hairpin	2.29
Retro Fit Parking Brake	2.45
Starter, CH20	2.17
Stop:	
Plastic, Swing	2.49
Swing	2.47
Strut, Lift, Arm, Loader	2.12
Sunstrand Transmission:	4.27, 4.28
A pad seal	Ball bearing
Cover Plate	Cylinder block
Cylinder block kit	End cap gasket
Housing	Key
Lifting Bracket	Lip Seal
Needle bearing	O-ring
Pin	Piston Assembly
Plug	Retaining Ring
Screw	Seal carrier assembly
Shaft, 13 tooth spline	Shaft, 20 tooth spline
Shaft, straight key	Slipper retainer
Spacer (SB-1996-010)	Spring
Swashplate	Swashplate kit (SB-1996-010)
Tapered roller bearing	Tapered roller bearing (SB-1996-010)
Thrust Plate	Trunnion cover
Trunnion shim kit (SB-1996-010)	Washer

Swing 2.49

Switch:	
Ignition, 3 Prong	2.24
Ignition, Perkins	2.25
Toggle, Double Throw	2.23, 2.25, 2.26

T

Tape, Pedal, Anti-Skid	2.29
Tie Rod	2.7
Tie Rod, Ball Socket	2.7
Tie Rod End, w/Kit	2.7
Tire:	
Front, 23" x 10.5" x 12"	2.10
Rear, High Flotation, 31" x 15.5" x 15"	2.43
Transmission:	2.28
Eaton	2.28
Tube, 9.50 x 16 Tire	2.43

U

Update Kit for Axle	2.7
---------------------------	-----

V

Valve:	
Boot Spool Protector	2.35
Front	2.20
Loader, 3 Spool (Clam Shell Bucket Only)	5.4
Main Relief	2.35
Rear	2.34
Section 1, Work Components V10-1294	4.19
Section 2, Work Components V10-1294	4.19
Section 3 & 4, Work Components V10-1294	4.20
Section 5, Work Components V10-1294	4.20
Section 6, Work Components V10-1294	4.21
Stem	2.43
Tire, Front	2.10

W

Washer:	
1/4" Flat USS	2.6
3/4", SAE Z, Front Axle	2.9
Latch	2.36
Wheel, Steering	2.25, 2.26
Wobblestick:	
Right Rear, v10 - 1294 Kit Pivot Section	2.40
Eye Bolt	2.35
Wrap, Hose, 4"	2.11

XYZ

SAMPLE Limited New Product Warranty

WE WARRANT TO THE ORIGINAL CONSUMER/PURCHASER THAT EACH NEW PRODUCT SOLD BY US WILL BE FREE FROM MANUFACTURING DEFECTS IN NORMAL SERVICE USE FOR A PERIOD OF ONE (1) YEAR FROM DATE OF PURCHASE.

Our obligation under this warranty is expressly limited, solely at our option, to the replacement or repair at the premises of Terramite Corporation, 600 Goff Mountain Road, Charleston, West Virginia 25356, or at a service facility designated by us, of such part or parts as inspection shall disclose to have been defective. This warranty does not apply to defects caused by casualty or unreasonable use (including faulty repairs by others and failure to provide reasonable and necessary maintenance) nor to ordinary wear and tear, while in the possession of the consumer/purchaser.

This warranty is for replacement or repair of defective parts only, and does not provide for replacement of complete products due to a defective part or parts nor does it cover any charges of whatever nature in connection with the replacement of any such defective parts.

We shall not be responsible for special, indirect,

incidental or consequential damages of any kind including, but not limited to, labor costs or transportation charges in connection with the replacement or repair of defective parts.

Components such as engines, pumps and batteries which are supplied by other manufacturers, are warranted by the manufacturer's nearest "Factory Service Center" for repair or replacement of those items. However, when necessary, the manufacturer will act as your agent to secure adjustment.

To obtain warranty service, purchaser must bring the product to an authorized Terramite Service facility. For the facility nearest you, contact Terramite Corporation, P.O. Box 7146, Charleston, WV 25356 or telephone (304) 776-4231.

This warranty gives you specific rights and you may have other rights which vary from state to state. This warranty is in lieu of any other warranty, whether written, verbal, expressed or implied and may not be modified or changed by Terramite Distributors or Dealers. This warranty shall be null and void unless the section below has been filled in and the manufacturer's copy of this document is returned to Terramite Corporation, P.O. Box 7146, Charleston, WV 25356 within ten (10) days of the date of purchase by the original owner.

MODEL# _____ SERIAL# _____ ENGINE# _____

PURCHASED FROM _____ CERTIFICATE OF ORIGIN# _____

NAME OF PURCHASER _____

ADDRESS _____

PHONE (_____) _____ CERTIFICATE OF ORIGIN# _____

TYPE OF BUSINESS _____

IS THIS YOUR FIRST TERRAMITE? _____ WHAT KIND OF SIMILAR EQUIPMENT DO YOU OWN? _____

OPTIONS _____

DATE OF PURCHASE _____ SIGNATURE _____

(ORIGINAL PURCHSER)

**Fill in the information requested above.
This will be useful anytime you need to order parts.
This is only a SAMPLE of the Limited New Product Warranty
provided with each new machine to the original owner.**